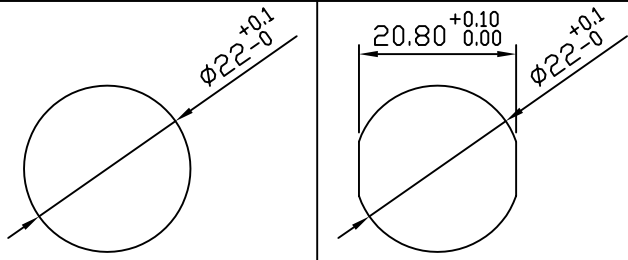
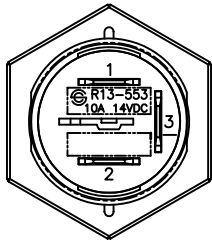
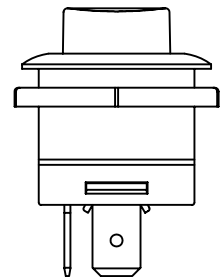
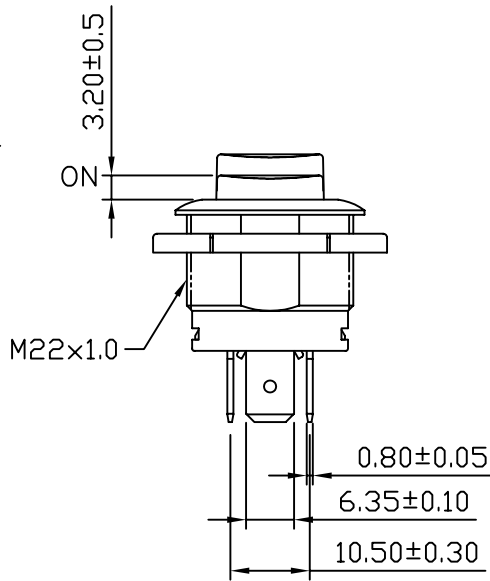
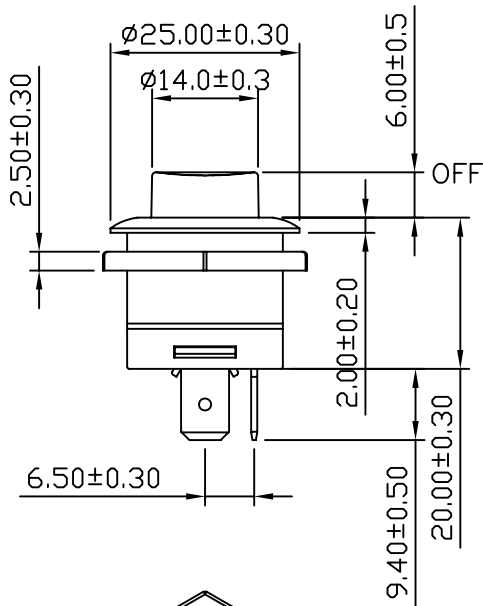
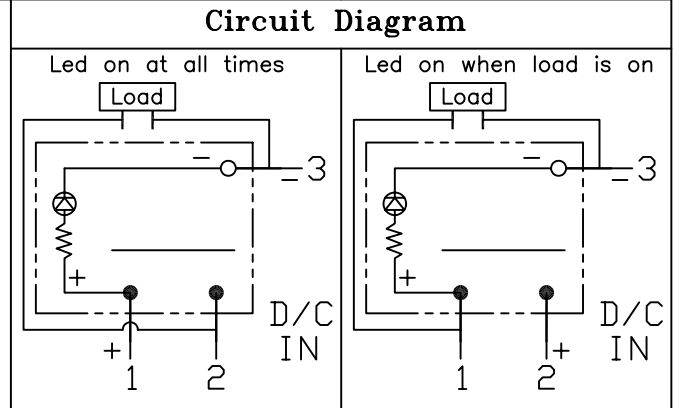
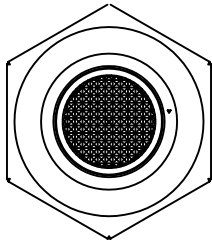


Rating	10A 14VDC	<b>Mounting Hole</b> 	
Contact R	50m ohm Max.		
Insulation R	DC 500V 100M ohm Min.		
Dielectric Strength	AC 1500V 1 minute		
Operation Temperature	-25°C~85°C		
Circuit	3P SPST ON-OFF (LED)		

\*Electrical life at full load: 20,000cycles.



**MATERIAL:**

Frame: Black, Nylon 66 (94-V2)  
 Actuator: Red, PC (94-V2)  
 LED: Red  
 Printed: None

C3\R13-553\R13-553BL-01

									△
									△
<b>Date</b>	<b>Name</b>	<b>Descriptions</b>							<b>NO</b>
<b>Drawing</b>	<b>Check</b>	<b>Approval</b>	<b>SCI BOM No.</b>	1830718	<b>Model Name</b>	PUSH SWITCH			
B.S.Wang	B.S.Wang	Danny	<b>Customer No.</b>		<b>Model No.</b>	R13-553BL-01			<b>REV.</b>
5/15/'08	5/28/'08	5/28/'08	<b>Unit</b>	mm	SHIN CHIN INDUSTRIAL CO., LTD.				<b>0</b>