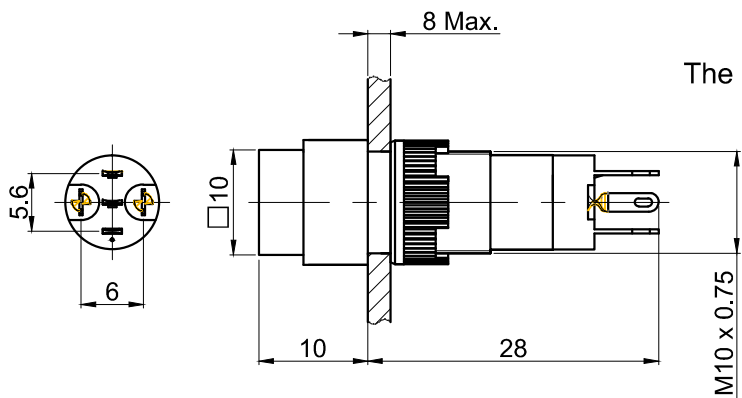
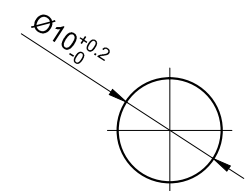
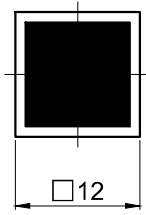


1 2 3 4 5 6 7

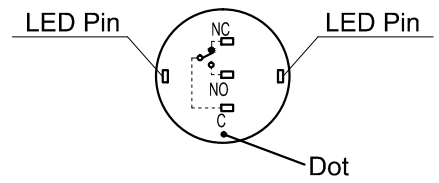
FOR 客户名称	APPROVED 客户确认签字	ATTN 销售负责人



The shaded part is illuminated



PANEL CUTOUT
MAX.PANEL THICKNESS
8 mm



Bottom View and
Contact Composition

Part Number: LAS3F-11 ■ / △ / ▲

"■"	Operation mode	"△"	Cap or Lamp Color	"▲"	Lamp Voltage
No Letter	Momentary	R	Red	6V	AC/DC 6V
Z	Latching	G	Green	12V	AC/DC 12V
		Y	Yellow	24V	AC/DC 24V
		B	Blue	110V	AC/DC 110V (External resistor)
		W	White	220V	AC/DC 220V (External resistor)
Other voltage can be made to order					

SPECIFICATIONS:

- Switch Rating: AC220V/0.5A, DC110V/0.1A.
- Mechanical Life: Momentary ≥200,000cycles;
Latching ≥100,000cycles.
- Electrical Life: ≥50,000cycles.
- Contact Resistance: ≤50mΩ.
- Insulation Resistance: ≥100MΩ.
- Dielectric Strength:
Between contact and lamp terminals: AC 1,500V, RMS 50Hz, 1min;
Between terminals of the same pole: AC 1,500V, RMS 50Hz, 1min;
Between terminals of different pole: AC 2,000V, RMS 50Hz, 1min.
- Operating Temperature: -25°C ~ +55°C (No Freezing).
- Operating Force: About 1.4N.
- Operating Travel: About 3mm.
- Terminal Type: Pin Terminal(1.8 x 0.4mm), LED Pin(1.8 x 0.3mm).
- IP Class: IP40.

MATERIALS:

- Contact: Silver alloy.
- Button: PC.
- Body: PC.
- Base: PBT.

BRAND 品牌 ONPOW	红波按钮制造有限公司 ONPOW PUSH BUTTON MANUFACTURE CO.,LTD.			
	USED 用途 FINISH 处理 SCALE 比例 1.4 / 1 UNIT 单位 mm	APPD 审核 CH 2020/04/28 CHKD 校对 NCH 2020/04/28 DR. 制图 ZPD 2020/04/28	TITLE 名称 LAS3 Series Pushbutton Switches	
DIMENSIONS 0.00 TO 18.00mm 18.01 TO 30.00mm 30.01 TO 50.00mm 50.01 TO 80.00mm	TOLERANCE ±0.43mm ±0.52mm ±0.62mm ±0.74mm	DWG NO. 图号 LAS3F带灯	SHEET 张 1 / 1	SIZE 图纸 A4 REV. 更改 1
FILE NAME 档案名称 LAS3F.DWG		SHEET 张 1 / 1		

1 2 3 4 5 6 7