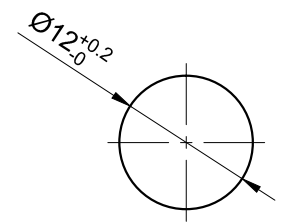
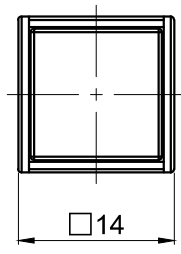
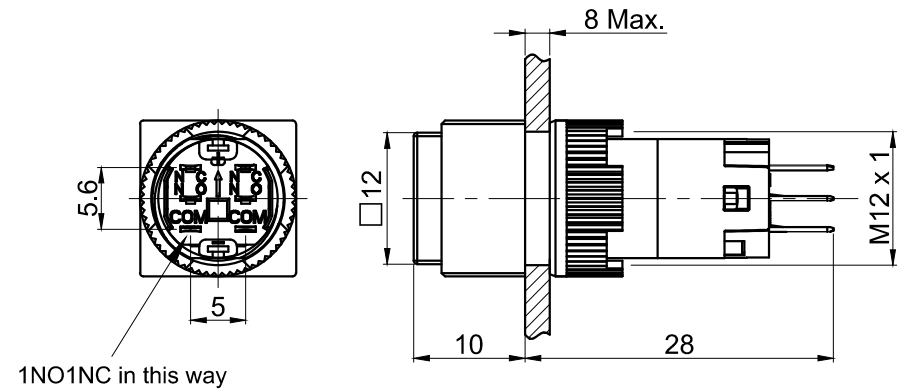
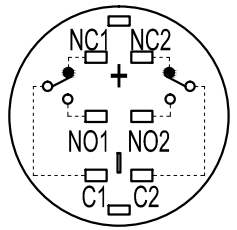


1 2 3 4 5 6 7

FOR 客户名称	APPROVED 客户确认签字	ATTN 销售负责人



PANEL CUTOUT
MAX.PANEL THICKNESS
8 mm



Contact Composition

Part Number: LAS2F-□■/△/◎

□	Contact structure	■	Operation mode	△	Cap Color	◎	IP class
11	1NO1NC	No Letter	Momentary	R	Red	No Letter	IP40
22	2NO2NC	Z	Latching	G	Green	FP	IP67
				Y	Yellow		
				B	Blue		
				W	White		

SPECIFICATIONS:

- 1.Switch Rating: AC220V/0.5A, DC220V/0.1A.
- 2.Mechanical Life: Momentary ≥200,000cycles
Latching ≥100,000cycles.
- 3.Electrical Life: ≥50,000cycles.
- 4.Contact Resistance: ≤50mΩ.
- 5.Insulation Resistance: ≥100MΩ.
- 6.Dielectric Strength:
Between terminals of the same pole: AC 1,500V, RMS 50Hz, 1min;
Between terminals of different pole: AC 2,000V, RMS 50Hz, 1min.
- 7.Operating Temperature: -25℃~ +55℃(No Freezing).
- 8.Operating Force: About 1.4N(1NO1NC), About 2N(2NO2NC).
- 9.Terminal Type: Pin Terminal(1.8 x 0.4mm) .
- 10.IP Class: IP40,IP67(with a seal).

MATERIALS:

- 1.Contact: Silver alloy.
- 2.Button: PC.
- 3.Body: PC.
- 4.Base: PA.

BRAND 品牌 ONPOW	红波按钮制造有限公司 ONPOW PUSH BUTTON MANUFACTURE CO.,LTD.		
	USED 用途	APPD 审核	CH 2019/08/30
THESE DRAWINGS AND SPECIFICATIONS ARE THE PROPERTY OF ONPOW PUSH BUTTON MANUFACTURE CO.,LTD. AND SHALL NOT BE REPRODUCED COPIED OR USED IN ANY MANNER WITHOUT THE PRIOR WRITTEN CONSENT OF ONPOW PUSH BUTTON MANUFACTURE CO.,LTD.	FINISH 处理	CHKD 校对	NCH 2019/08/30
	SCALE 比例 1.5 / 1	UNIT 单位 mm	DR. 制图 ZPD 2019/08/30
DIMENSIONS	TOLERANCE	TITLE 名称	LAS2 Series Pushbutton Switches
0.00 TO 18.00mm	±0.43mm	DWG NO. 图号	
18.01 TO 30.00mm	±0.52mm	LAS2F不带灯	
30.01 TO 50.00mm	±0.62mm	FILE NAME 档案名称	LAS2F.DWG
50.01 TO 80.00mm	±0.74mm	SHEET 张	1 / 1
		REV. 更改	1

1 2 3 4 5 6 7