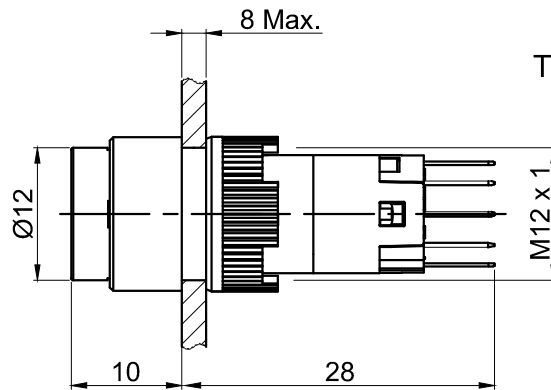
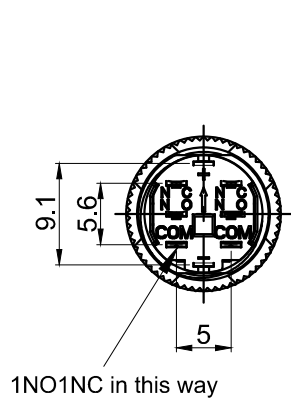
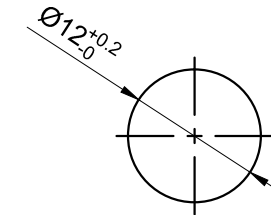
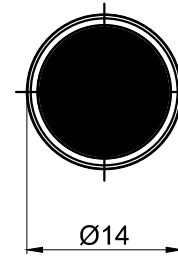


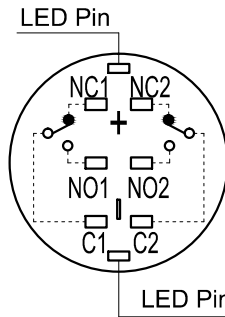
5	6	7
FOR 客户名称	APPROVED 客户确认签字	ATTN 销售负责人



The shaded part is illuminated



PANEL CUTOUT  
MAX.PANEL THICKNESS  
8 mm



Contact Composition

Part Number: LAS2Y-□■/△/▲/◎

□	Contact structure
11	1NO1NC
22	2NO2NC
■	Operation mode
No Letter	Momentary
Z	Latching

△	Cap or Lamp Color	▲	Lamp Voltage
R	Red	6V	AC/DC 6V
G	Green	12V	AC/DC 12V
Y	Yellow	24V	AC/DC 24V
B	Blue	110V	AC/DC 110V (External resistor)
W	White	220V	AC/DC 220V (External resistor)
Other voltage can be made to order			

◎	IP class
No Letter	IP40
FP	IP67

**SPECIFICATIONS:**

- Switch Rating: AC220V/0.5A, DC110V/0.1A.
- Mechanical Life: Momentary ≥200,000cycles  
Latching ≥100,000cycles.
- Electrical Life: ≥50,000cycles.
- Contact Resistance: ≤50mΩ.
- Insulation Resistance: ≥100MΩ.
- Dielectric Strength:  
Between contact and lamp terminals: AC 1,500V, RMS 50Hz, 1min;  
Between terminals of the same pole: AC 1,500V, RMS 50Hz, 1min;  
Between terminals of different pole: AC 2,000V, RMS 50Hz, 1min.
- Operating Temperature: -25°C ~ +55°C (No Freezing).
- Operating Force: About 1.4N(1NO1NC), About 2N(2NO2NC).
- Terminal Type: Pin Terminal(1.8 x 0.4mm), LED Pin(1.8 x 0.3mm).
- IP Class: IP40, IP67 (with a seal cover).

**MATERIALS:**

- Contact: Silver alloy.
- Button: PC.
- Body: PC.
- Base: PA.

BRAND 品牌	ONPOW		红波按钮制造有限公司	
	ONPOW PUSH BUTTON MANUFACTURE CO.,LTD.		ONPOW PUSH BUTTON MANUFACTURE CO.,LTD.	
USED 用途	APPD 审核		CH	2020/04/28
FINISH 处理	CHKD 校对		NCH	2020/04/28
SCALE 比例	1.4 / 1	UNIT 单位	mm	DR. 制图
TITLE 名称		LAS2 Series Pushbutton Switches		
DWG NO. 图号		LAS2Y带灯		
FILE NAME 档案名称		SHEET 张	1 / 1	REV. 更改
				1