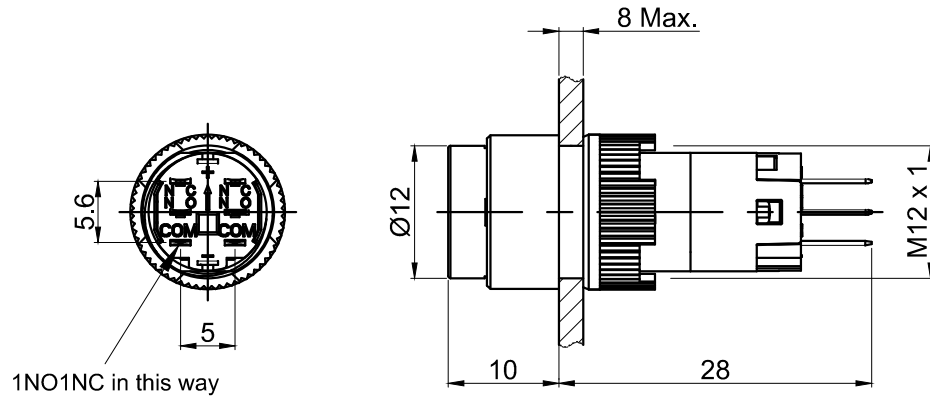
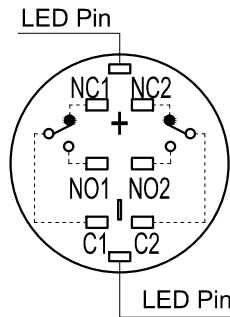


5	6	7
FOR 客户名称	APPROVED 客户确认签字	ATTN 销售负责人



PANEL CUTOUT  
MAX.PANEL THICKNESS  
8 mm



Contact Composition

Part Number: LAS2Y-□■/△/◎

□	Contact structure	■	Operation mode	△	Cap Color	◎	IP class
11	1NO1NC	No Letter	Momentary	R	Red	No Letter	IP40
22	2NO2NC	Z	Latching	G	Green	FP	IP67
				Y	Yellow		
				B	Blue		
				W	White		

**SPECIFICATIONS:**

- 1.Switch Rating: AC220V/0.5A, DC110V/0.1A.
- 2.Mechanical Life: Momentary ≥200,000cycles  
Latching ≥100,000cycles.
- 3.Electrical Life: ≥50,000cycles.
- 4.Contact Resistance: ≤50mΩ.
- 5.Insulation Resistance: ≥100MΩ.
- 6.Dielectric Strength:  
Between terminals of the same pole: AC 1,500V, RMS 50Hz, 1min;  
Between terminals of different pole: AC 2,000V, RMS 50Hz, 1min.
- 7.Operating Temperature: -25°C ~ +55°C (No Freezing).
- 8.Operating Force: About 1.4N(1NO1NC), About 2N(2NO2NC).
- 9.Terminal Type: Pin Terminal(1.8 x 0.4mm) .
- 10.IP Class: IP40,IP67(with a seal cover).

**MATERIALS:**

- 1.Contact: Silver alloy.
- 2.Button: PC.
- 3.Body: PC.
- 4.Base: PA.

BRAND 品牌 <b>ONPOW</b>		红波按钮制造有限公司 ONPOW PUSH BUTTON MANUFACTURE CO.,LTD.	
THESE DRAWINGS AND SPECIFICATIONS ARE THE PROPERTY OF ONPOW PUSH BUTTON MANUFACTURE CO.,LTD. AND SHALL NOT BE REPRODUCED COPIED OR USED IN ANY MANNER WITHOUT THE PRIOR WRITTEN CONSENT OF ONPOW PUSH BUTTON MANUFACTURE CO.,LTD.		USED 用途	APPD 审核 CH 2020/04/28
FINISH 处理		SCALE 比例 1.4 / 1	UNIT 单位 mm
TITLE 名称 LAS2 Series Pushbutton Switches		DR. 制图 ZPD 2020/04/28	
DIMENSIONS		TOLERANCE	
0.00 TO 18.00mm		±0.43mm	
18.01 TO 30.00mm		±0.52mm	
30.01 TO 50.00mm		±0.62mm	
50.01 TO 80.00mm		±0.74mm	
DWG NO. 图号 LAS2Y不带灯		SIZE 图纸 A4	
FILE NAME 档案名称 LAS2Y.DWG		SHEET 张 1 / 1	REV. 更改 1