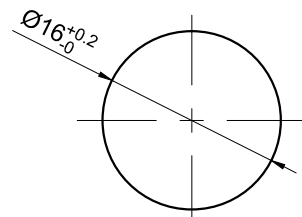
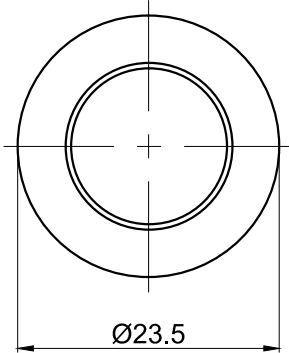
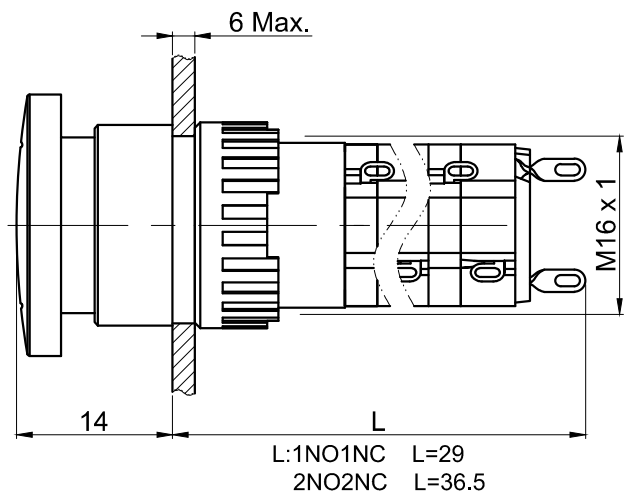
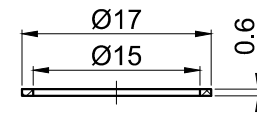


1 2 3 4 5 6 7

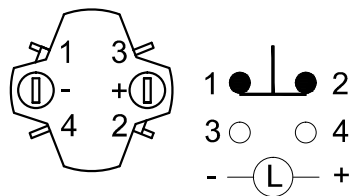
FOR 客户名称	APPROVED 客户确认签字	ATTN 销售负责人



PANEL CUTOUT  
MAX.PANEL THICKNESS  
6 mm



Seal Ring



Contact Composition

1, 2, 3, 4 are one set;  
1,2 are normal closed(NC);  
3,4 are normal opened(NO).

Part Number:LAS1M-□/△/▲

□	Contact structure	△	Lamp Color	▲	Lamp Voltage
11	1NO1NC	R	Red	6V	AC/DC 6V
22	2NO2NC	G	Green	12V	AC/DC 12V
		Y	Yellow	24V	AC/DC 24V
		B	Blue	110V	AC/DC 110V (External resistor)
		W	White	220V	AC/DC 220V (External resistor)
Other voltage can be made to order					

**SPECIFICATIONS:**

- 1.Switch Rating: AC220V/2A, DC220V/0.1A.
- 2.Mechanical Life: Momentary ≥1,000,000cycles
- 3.Electrical Life: ≥50,000cycles.
- 4.Contact Resistance: ≤50mΩ.
- 5.Insulation Resistance: ≥100MΩ.
- 6.Dielectric Strength:  
Between contact and lamp terminals:AC 2,000V, RMS 50Hz, 1min;  
Between terminals of the same pole:AC 1,500V, RMS 50Hz, 1min;  
Between terminals of different pole:AC 2,000V, RMS 50Hz, 1min.
- 7.Operating Temperature: -25°C~ +55°C(No Freezing).
- 8.Operating Force: About 2N.
- 9.Terminal Type: Pin Terminal(1.8 x 0.4mm) .
- 10.IP Class: IP40.

**MATERIALS:**

- 1.Contact: Silver alloy.
- 2.Button: PC.
- 3.Body: PC.
- 4.Base: UF.

BRAND 品牌 <b>ONPOW</b>	<b>红波按钮制造有限公司</b> ONPOW PUSH BUTTON MANUFACTURE CO.,LTD.			
	USED 用途	APPD 审核	CH	2020/05/05
THESE DRAWINGS AND SPECIFICATIONS ARE THE PROPERTY OF ONPOW PUSH BUTTON MANUFACTURE CO.,LTD. AND SHALL NOT BE REPRODUCED COPIED OR USED IN ANY MANNER WITHOUT THE PRIOR WRITTEN CONSENT OF ONPOW PUSH BUTTON MANUFACTURE CO.,LTD.	FINISH 处理	CHKD 校对	NCH 2020/05/05	
	SCALE 比例	UNIT 单位	DR. 制图	ZPD 2020/05/05
DIMENSIONS	TOLERANCE	TITLE 名称	LAS1 Series pushbutton switch	
0.00 TO 18.00mm	±0.43mm	DWG NO. 图号	LAS1M带灯	
18.01 TO 30.00mm	±0.52mm	FILE NAME 档案名称	LAS1M.DWG	SHEET 张
30.01 TO 50.00mm	±0.62mm			1 / 1
50.01 TO 80.00mm	±0.74mm			REV. 更改
				1

1 2 3 4 5 6 7