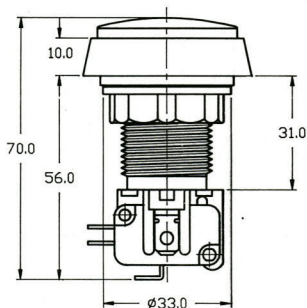
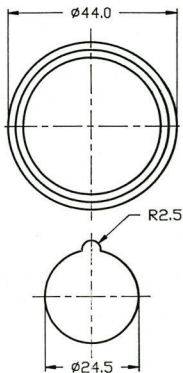


CHARACTERISTICS		Rating	1: 1A 125VAC or 250VAC 10: 10A 125VAC or 250VAC 15: 15A 125VAC or 250VAC
Contact resistance	50mΩ max. (initial)	Item No.	910-2
Insulation resistance	100MΩ min. (at 500 VDC)		
Dielectric strength	1,000VAC 50/60Hz for 1 minute		
Mechanically service life	10,000,000 operations min.	Button color	1: Red 4:White 2: Yellow 3: Green 6: Blue
Electrically service life	1,000,000 operations min.		



1. lamp voltage -> 12V
2. LED voltage -> can be optional for 12V or 24V
3. can carry with 10A micro switch



海立電氣有限公司
HIGHLY ELECTRIC CO LTD

修正REVISION	日期DATE	說明DESCRIPTION	查核CHECKED	單位UNIT	材質MATERIAL	日期DATE	料號TYPE NO
			9/8	m/m		83.09.07	910-2
			繪圖DRAWN	比例SCALE	公差TOLERANCE	加工PROCESS	檔名FILE NO
			HGG				910-2