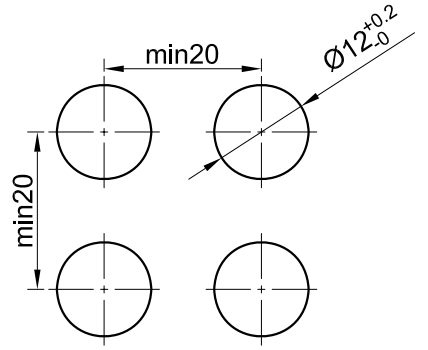
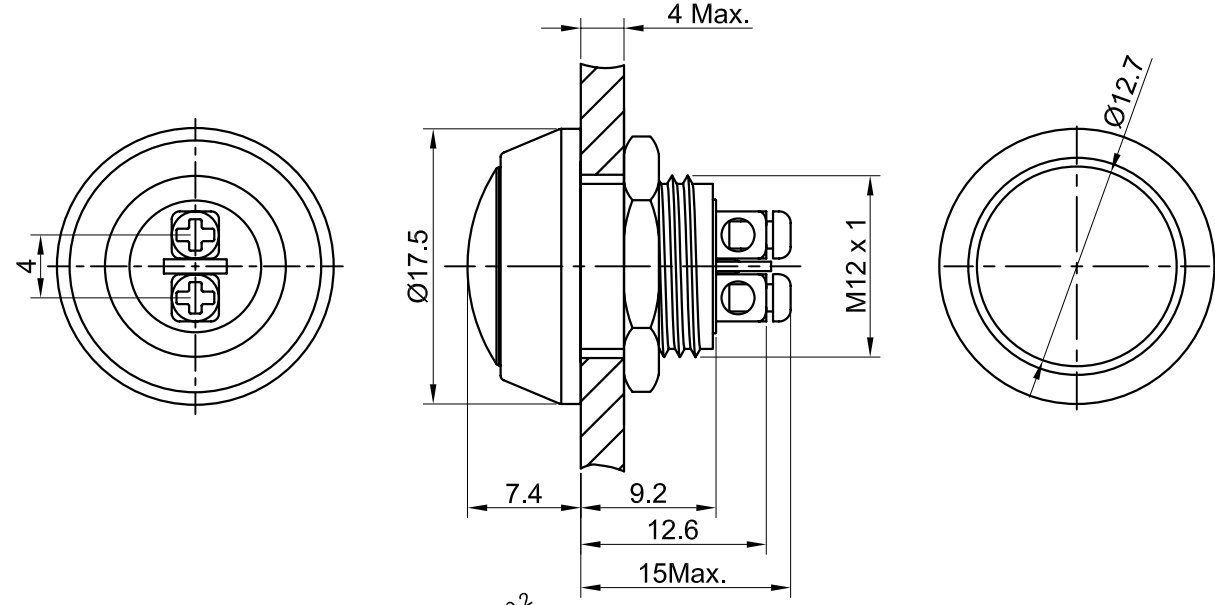
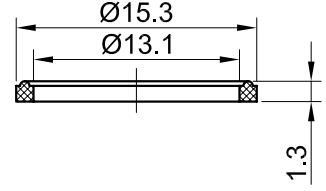


1 2 3 4 5 6 7

REV. 更改	DESCRIPTION 说明	ENG. 修改人	APPROVE 审核
------------	-------------------	-------------	---------------



PANEL CUTOUT  
MAX.PANEL THICKNESS  
4 mm



Seal Ring

**SPECIFICATIONS:**

- 1.Rating: 2A 36VDC.
- 3.Electrical Life: ≥200,000cycles.
- 4.Contact Resistance: ≤50mΩ.
- 5.Insulation Resistance: ≥1,000MΩ.
- 6.Dielectric Strength: 2,000V AC 50Hz 5 Seconds.
- 7.Operating Temperature: -25℃ ~ +55℃ (No Freezing).
- 8.Operating Force: About 5N.
- 9.Torque: 0.3Nm max.applied to nut.
- 10.IP Class: IP65(IP67 Made to order),IK08.

**MATERIALS:**

- 1.Contact: Silver alloy.
- 2.Button: Nickel Plated Brass  
Stainless Steel .
- 3.Body: Nickel Plated Brass  
Stainless Steel .
- 4.Base: PA.

Part Number: GQ12B-10 / ◎

"◎"	Crust Material
N	Nickel Plated Brass
S	Stainless Steel

THESE DRAWINGS AND SPECIFICATIONS ARE THE PROPERTY OF ONPOW PUSH BUTTON MANUFACTURE CO.,LTD. AND SHALL NOT BE REPRODUCED COPIED OR USED IN ANY MANNER WITHOUT THE PRIOR WRITTEN CONSENT OF ONPOW PUSH BUTTON MANUFACTURE CO.,LTD.

**中国·红波按钮制造有限公司**  
ONPOW PUSH BUTTON MANUFACTURE CO.,LTD.

USED 用途	APPD 审核			
FINISH 处理	CHKD 校对			
DIMENSIONS	TOLERANCE	SCALE	UNIT	DR.
0.00 TO 30.00mm	±0.20mm	比例 2 / 1	单位 mm	制图
30.01 TO 80.00mm	±0.25mm	TITLE 名称 Colorized push button		
80.01 TO 150.00mm	±0.30mm			
150.01 ↑	±0.40mm	DWG NO. 图号 GQ12B-10 / ◎		
MATERIAL		FILE NAME 档案名称 GQ12B10◎.DWG	SHEET 张 1 / 1	REV. 更改 1

SIZE  
图纸 A4

1 2 3 4 5 6 7