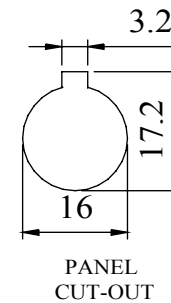
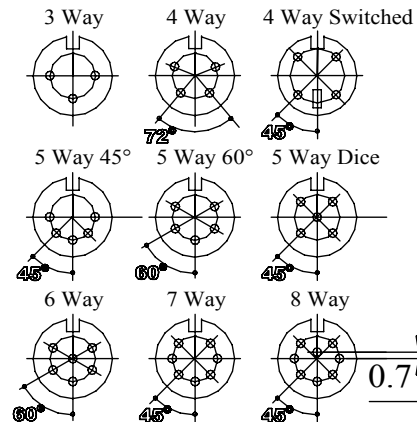
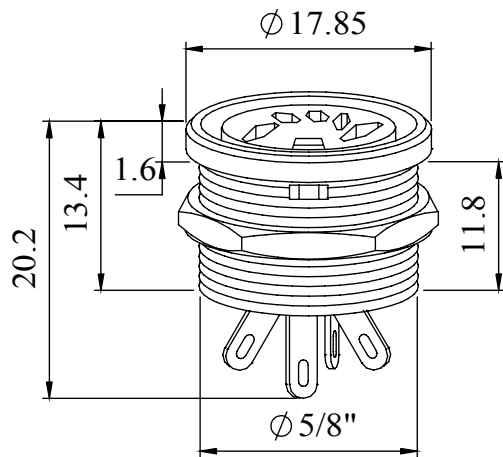


A range of professional chassis mounting sockets, designed for panel mounting via a single hexagonal turned brass nut. These sockets incorporate an anti-rotational locating spigot, and mate with all standard lockable plugs.

Materials	
Housing	Brass
	Sprayed With Black Paint
Moulding	Lexan 500R
Contacts	Brass Silver Plated
Nut	Brass Nickel Plated
Electrical	
Rated Voltage	34 V a.c. or d.c.
Current Rating	2.A
Test Voltage	500 V r.m.s.
Insulation Resistance	103 MΩ min at 100 V d.c
Contact Resistance	10 mΩ max
Capacitance (mated)	3pF
Climatic	
Climatic category	25/070/21
Temperature Range	-25°C to +70°C

Dimensions



Type	Deltron No
3 Way	651-0300
4 Way	651-0400
4 Way Switched	651-0410
5 Way 45°	651-0500
5 Way 60°	651-0510
5 Way Dice	651-0520
6 Way	651-0600
7 Way	651-0700
8 Way	651-0800

RoHS
2002/95/EC
Compliant

UNF THREADED

Tel No. +44(0)1724 273200 Website www.dem-uk.com

PROPRIETARY AND CONFIDENTIAL

THE INFORMATION CONTAINED IN THIS DRAWING IS THE SOLE PROPERTY OF ALPHA 3 MANUFACTURING. ANY REPRODUCTION IN PART OR AS A WHOLE WITHOUT THE WRITTEN PERMISSION OF ALPHA 3 MANUFACTURING IS PROHIBITED.

UNLESS OTHERWISE SPECIFIED:
DIMENSIONS ARE IN MILLIMETRES
LINEAR TOLERANCE:
NO DECIMAL PLACES ±0.5mm
1 DECIMAL PLACE ±0.25mm
2 DECIMAL PLACES ±0.125mm
ANGULAR TOLERANCE: ±1°

FINISH PROFESSIONAL CIRCULAR CHASSIS SOCKET BLACK
DEBURR AND BREAK SHARP EDGES
IF IN DOUBT ASK DO NOT SCALE DRAWING

THIRD ANGLE PROJECTION

DRAWN BY SPB
APPROVED BY WC

SHEET 1 OF 1
SCALE 1:1
A4

TITLE GENERAL SPECIFICATION FOR 651 SERIES

DRAWING NO. 651 SERIES

ISSUE **07**
Release



DEM Manufacturing, Deltron Emcon House
Hargreaves Way, Sawcliffe Ind. Park,
Scunthorpe, North Lincolnshire, DN15 8RF, UK