

A range of panel mounting audio and video connectors incorporating many innovative features, compatible with all leading manufacturer's cable plugs.

-Pressed socket contacts which 'float' to assist plug mating, also ensuring a positive 'wrap round' contact with the pin, which can 'move' with the pins should any movement occur between mating connectors.

-A simple press down, squeeze clip release mechanism makes it particularly easy to use.

-Generous solder buckets enable easier cable assembly as well as catering for larger conductor sizes.

-Available in satin nickel or black chrome finish.

Mechanical Properties
Housing

Zinc high pressure diecasting
satin nickel or black chrome
Valox DR48, black

Contact base
Contacts
silver

Phos bronze (pressed) 3 micron

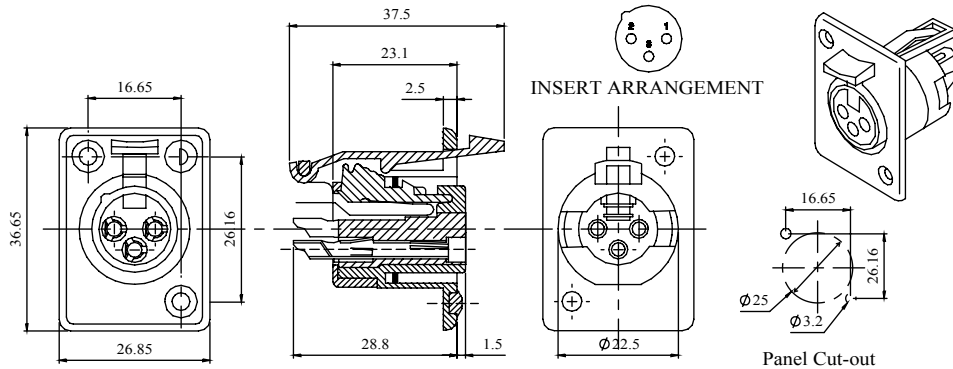
Collar
Latch

anti tarnish or 0.5 micron gold
Polypropylene, VIR222, black
Zinc high pressure diecasting
satin nickel or black chrome

Sealing ring
Screen

Santoprene (UL94HB)
Spring steel, 3 micron silver
anti tarnish

Dimensions



Electrical

Rated Voltage	50 V a.c.
Test Voltage	1000 V r.m.s.
Insulation Resistance	103 MΩ
After damp heat	500 MΩ
Contact Resistance	10 mΩ max
Current Rating at 40 deg C	3 pin - 15 amp 4 pin - 10 5 pin - 7.5 amp
Current Rating at 70 deg C	3 pin - 7.5 amp 4 pin - 5 5 pin - 3 amp
Terminal wire sizes	3 pin 2.5 mm ² / 14 AWG 4 pin 1.5 mm ² / 16 AWG 5 pin 1.0 mm ² / 18 AWG
Climatic	
Climatic category	25/070/04
Temperature Range	-25°C to +70°C
Damp heat, steady state	4 days

RoHS
2002/95/EC
Compliant

Deltron Part No	Silver Contacts		Gold Contacts	
	Nickel	Black	Nickel	Black
3-Way	702-0300	710-0300	706-0300	714-0300

Tel No. +44(0)1724 273200 Website www.dem-uk.com

PROPRIETARY AND CONFIDENTIAL
THE INFORMATION CONTAINED IN THIS DRAWING IS THE SOLE PROPERTY OF
ALPHA 3 MANUFACTURING.
ANY REPRODUCTION IN PART OR AS A WHOLE WITHOUT THE WRITTEN PERMISSION OF
ALPHA 3 MANUFACTURING IS PROHIBITED.

UNLESS OTHERWISE SPECIFIED:
DIMENSIONS ARE IN MILLIMETRES
LINEAR TOLERANCE:
NO DECIMAL PLACES ±0.5mm
1 DECIMAL PLACE ±0.25mm
2 DECIMAL PLACES ±0.125mm
ANGULAR TOLERANCE: ±1°

FINISH PROFESSIONAL QUALITY
PANEL SOCKET

DEBURR AND BREAK
SHARP EDGES

DRAWN BY
APPROVED BY

SPB
WC

TITLE
GENERAL SPECIFICATION
MULTIPOLE CONNECTOR
PANEL SOCKET

THIRD ANGLE PROJECTION

SHEET 1 OF 1

DRAWING NO.
702-706-710-714

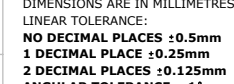
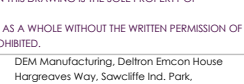
ISSUE
09
Release

IF IN DOUBT ASK
DO NOT SCALE DRAWING

MATERIAL SEE NOTE



SCALE 1:1
A4



DEM Manufacturing, Deltron Emcon House
Hargreaves Way, Sawcliffe Ind. Park,
Scunthorpe, North Lincolnshire, DN15 8RF, UK