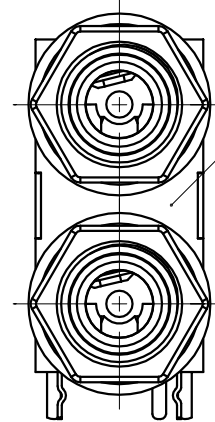
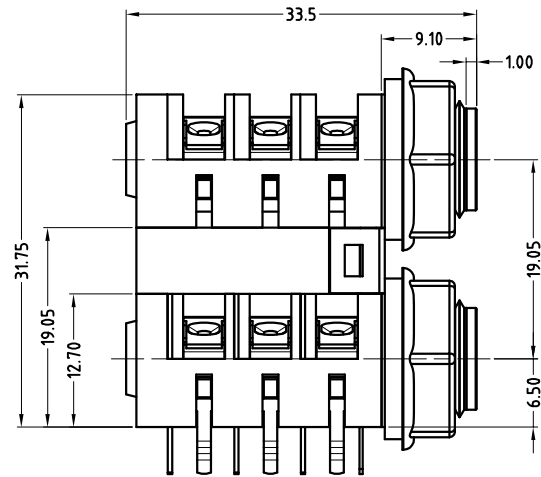
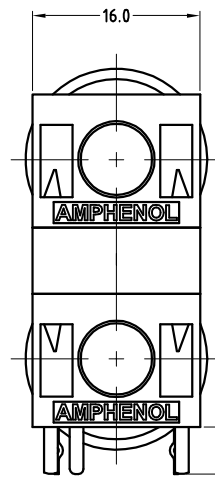
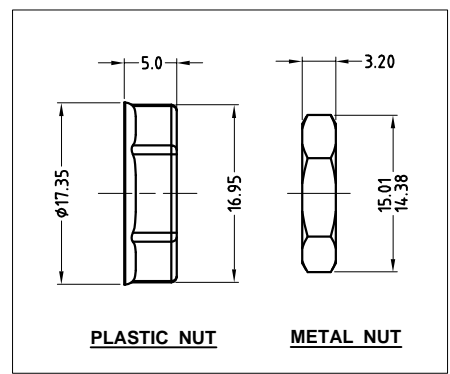


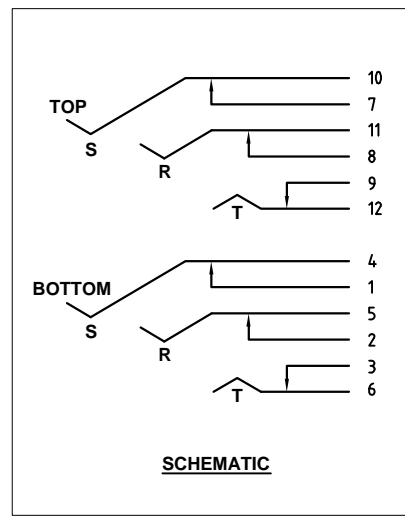
ISO VIEW  
SCALE 1:1



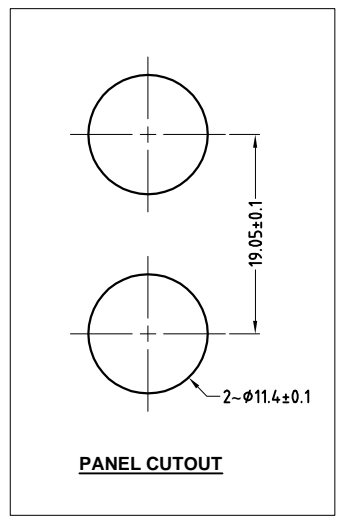
RFI SCREEN



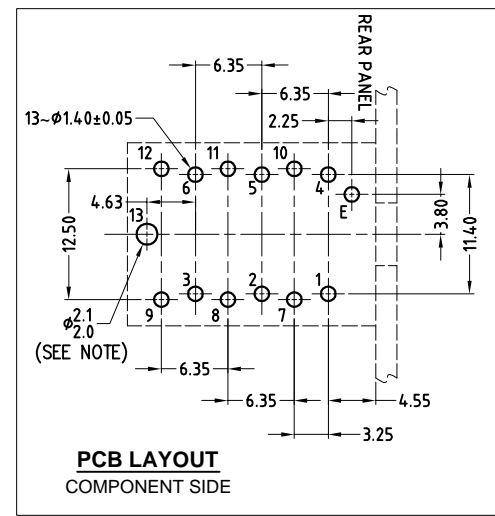
PLASTIC NUT      METAL NUT



SCHEMATIC



PANEL CUTOUT



PCB LAYOUT  
COMPONENT SIDE

CATALOGUE P/N	ASSEMBLY P/N	NUT OPTIONS
ACJS-PHDE	55010332-502	PLASTIC
ACJS-MHDE	55010332-302	METAL

NOTE: OPTIONAL MOUNTING HOLE FOR SELF-TAPPING M2 SCREW

UNLESS OTHERWISE SPECIFIED TOLERANCE TO BE		THIS DOCUMENT IS THE PROPERTY OF AMPHENOL AUSTRALIA PTY. LTD.. NO PART THEREOF MAY BE REPRODUCED AND USED WITHOUT THE PRIOR WRITTEN CONSENT OF THE OWNER				0	FIRST ISSUE	L.V	10-08-05	----
LINEAR	ANGULAR	CAD FILE: 55010332502220		DRN:	L.V	REV.	CHANGE DETAILS	BY	DATE	CHG/No
X ± 0.5	X° ± 1°	MATL: REFER TO COMPONENT		CKD:	M.N.H	TITLE: 1/4" PHONE STEREO DUAL JACK CUSTOMER DRAWING		Amphenol		
X.X ± 0.10	X°X' ± 30'	DO NOT SCALE		FINISH: REFER TO COMPONENT	APP'D:	P.M	DATE: 10-08-05	Amphenol Australia Pty.Ltd, 2 Fineways Blvd, Keysborough, Vic.3173		
X.XX ± 0.05	X°X'X" ± 15'	DIMENSIONS IN MILLIMETRES		THIRD ANGLE PROJECTION	SCALE: 2:1 UOS	PART No: REFER TO CHART	DATE: 17-05-06	DRAWING NO. 55010332-502-2		SHEET 2 OF 2