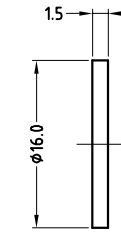
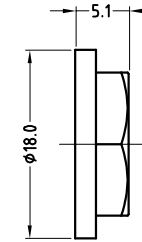


FIBRE WASHER

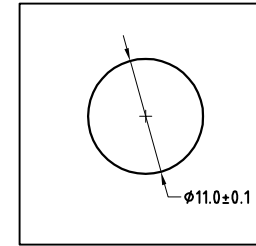
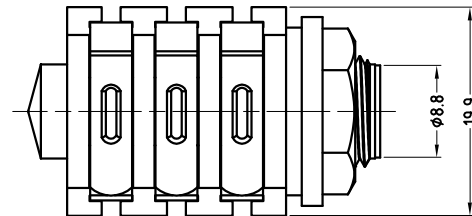
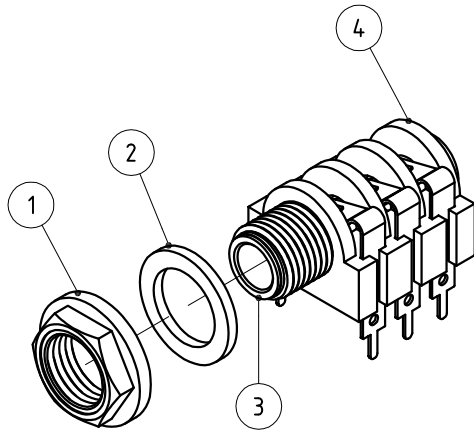
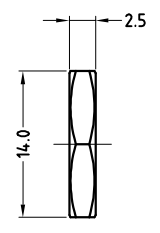


NUT OPTIONS

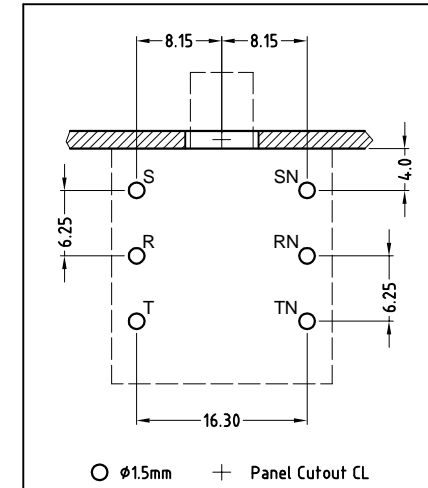
PLASTIC NUT



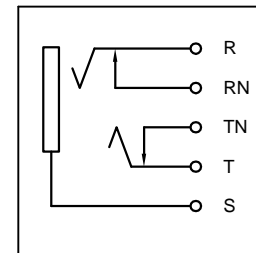
METAL NUT



PANEL CUTOUT



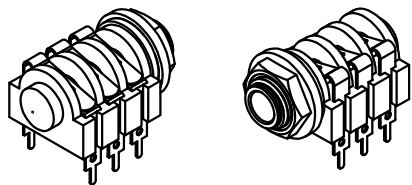
PCB LAYOUT



SCHEMATIC

| ITEM | DESCRIPTION |
|------|--------------------|
| 1 | METAL/PLASTIC NUT |
| 2 | FIBRE WASHER |
| 3 | METAL TUBE INSERT |
| 4 | CONNECTOR ASSEMBLY |

| PART No. | CATALOG No. | DESCRIPTION |
|--------------|-------------|-------------|
| 55010098-000 | ACJS-MC | METAL NUT |
| 55010098-001 | ACJS-PC | PLASTIC NUT |



ISO VIEW

| REV. | CHANGE DRAWING NUMBER & PART VARIATION NUMBER UPDATE DRAWING TO CURRENT PART | L.V | DATE | CHG/No |
|------|---|-----|----------|--------|
| 1 | CHANGE DRAWING NUMBER & PART VARIATION NUMBER UPDATE DRAWING TO CURRENT PART | L.V | 07-07-04 | 8293 |
| 0 | FIRST ISSUE | L.V | 17-10-01 | ---- |

| | | | | | |
|--|--------------|--|----------------------------|----------|----------------|
| UNLESS OTHERWISE SPECIFIED TOLERANCE TO BE | | THIS DOCUMENT IS THE PROPERTY OF AMPHENOL AUSTRALIA PTY. LTD.. NO PART THEREOF MAY BE REPRODUCED AND USED WITHOUT THE PRIOR WRITTEN CONSENT OF THE OWNER | | | |
| LINEAR | ANGULAR | CAD FILE: | DRN: | L.V | DATE: 17-10-01 |
| X ± 0.5 | X° ± 1° | 55010098000111 | CDK: | M.N.H | DATE: 13-01-06 |
| X,X ± 0.1 | X°X' ± 30' | MATL: REFER TO COMPONENT | APP'D: | P.M | DATE: 13-01-06 |
| X,X ± 0.05 | X°X'X" ± 15' | DO NOT SCALE | FINISH: REFER TO COMPONENT | | |
| BREAK ALL SHARP EDGES AND REMOVE ALL BURRS | | DIMENSIONS IN MILLIMETRES | | | |
| THIRD ANGLE PROJECTION | | SCALE: | 2:1 UOS | PART No: | REFER TO TABLE |

| | | | |
|---|--|-----------------|--|
| TITLE: 1/4" STEREO JACK PCB & SODLER LUG CUSTOMER DRAWING | | Amphenol | |
| DRAWING NO. 55010098-000-1 | | SHEET 1 OF 1 | |
| Amphenol Australia Pty Ltd, 2 Finemays Blvd, Keysborough, Vic 3173 | | | |