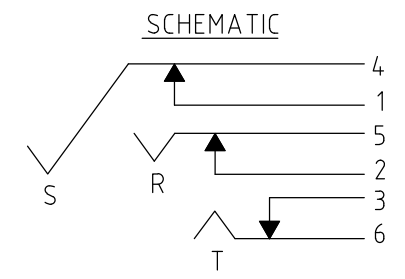
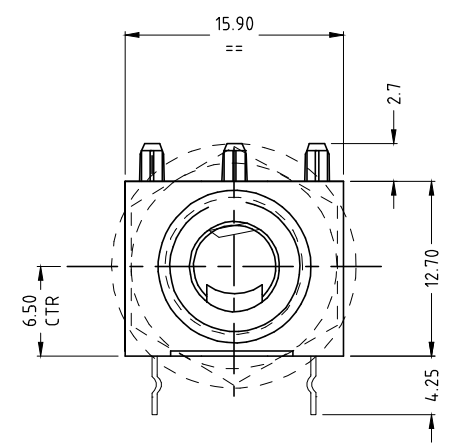
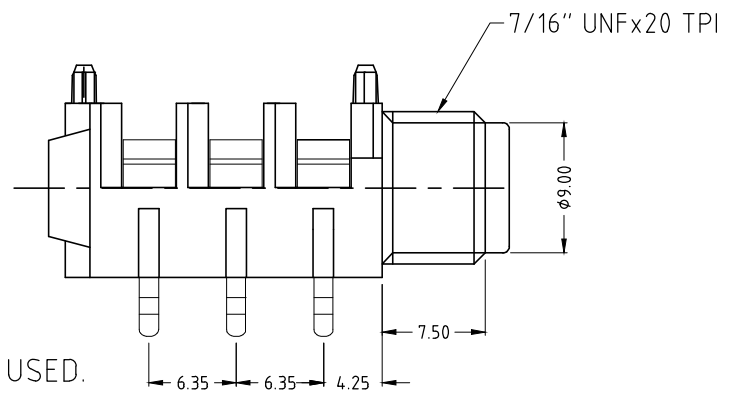
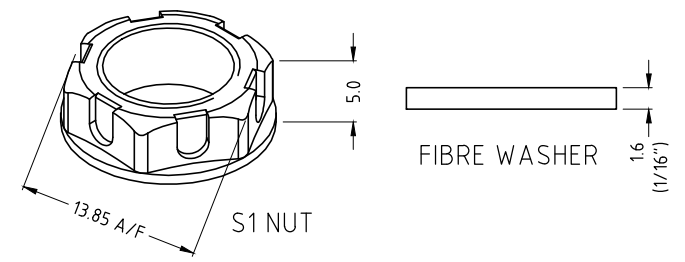
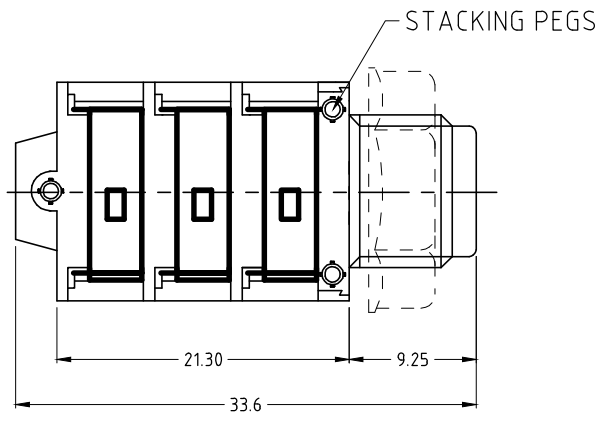
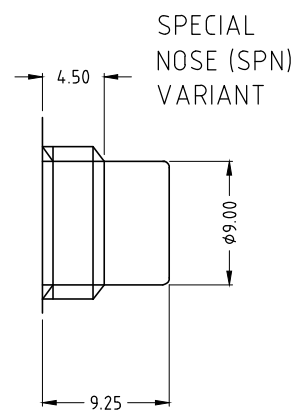
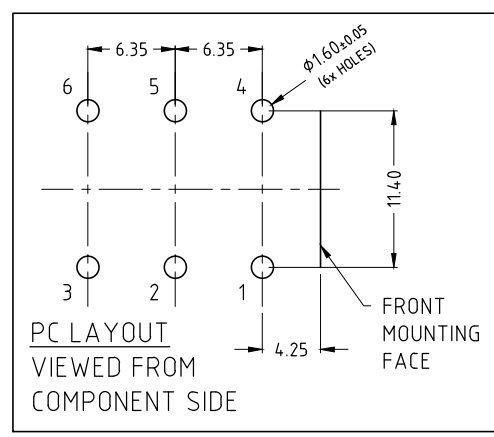
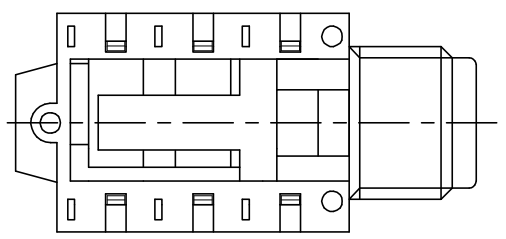


ISS.	AMEND	DATE
1	1st DRAWN	26/02/96
2	DESIGN AMEND	07/08/96
3	ISSUED	12/03/97
4	P2 VARS ADD	03/04/98
5	P2 RS VARS DELT	13/03/15



SWITCH CONTACTS OPEN WHEN PLUG IS INSERTED, CLOSE WHEN PLUG IS WITHDRAWN.  
FOR MONO JACK CENTRE CONTACTS 2 + 5 ARE OMITTED.

**NOTES**  
MIN ADJACENT MOUNTING SPACING DEPENDS ON NUT USED. DRAWING SHOWS PLASTIC NUT. KINKED LEGS ARE STANDARD. SEE PAGE 2 FOR VARIANTS.



**RoHS COMPLIANT**

**TOLERANCE**

NO DEC. PLACE ± 1.00  
1 DEC. PLACE ± 0.50  
2 DEC. PLACE ± 0.10  
HOLE Ø ± 0.10  
ANGLES ± 1/2°  
UNLESS OTHERWISE STATED

ISS.	AMEND	DATE
1	1st DRAWN	02/04/98
2	CL11151 ADDED	04/02/99
3	RS VAR ADDED	20/08/99
4	CL11105 ADD	25/04/03
5	RS DEL+UPDATED	13/03/15

PART NUMBER	DESCRIPTION	CONTACTS	SPN or STD	EARTH WASHER	WITH NUT & WASHER
CL1110	S1/BNB/BLK WNW	BNB	STD		YES
CL111005W	S1/BNB/BLK/WN/EW ASSD	BNB	STD	YES	YES
CL1110T	S1T/BNB/BLK/WNW	BNB	STD		YES
CL11105	S1/BNB/BLK/SPN/NNW	BNB	SPN		NO
CL1115	S1/BBB/BLK/WNW	BBB	STD		YES
CL111505W	S1/BBB/BLK/WN/EW ASSD	BBB	STD	YES	YES
CL11151	S1/BBB/BLK/NNW	BBB	STD		NO
CL11155	S1/BBB/BLK/SPN/NNW	BBB	SPN		NO

SEE NOTE 2

### NOTES

- 1) SEE PAGE 1 FOR DIMENSIONS.
- 2) ALL JACKS NOW USE TIN PLATED CONTACTS.

**RoHS**  
✓ COMPLIANT

**TOLERANCE**  
 NO DEC. PLACE ±  
 1 DEC. PLACE ±  
 2 DEC. PLACE ±  
 HOLE Ø ±  
 ANGLES ±  
 UNLESS OTHERWISE STATED

**Cliff Electronic Components Ltd.**  
 76 Holmethorpe Avenue, Holmethorpe Industrial Estate,  
 Redhill, Surrey, RH1 2PF, England, UK  
 Tel: 01737-771375 Fax: 01737-766012 Website: www.cliffuk.co.uk

DIMENSIONS IN MILLIMETERS UNLESS OTHERWISE STATED. WORK TO DIMENSIONS. REMOVE ALL BURRS. IF IN DOUBT ASK.

3rd ANGLE PROJECTION: 

DO NOT SCALE

MATERIAL: SEE PAGE 1

TITLE: S1 MINI JACK SOCKET - VARIANTS TABLE

FINISH: SEE PAGE 1

DRWG. No. **CL1105P2**

FORM: A4DRWG

THE CONTENTS OF THIS DOCUMENT MUST NOT BE COPIED OR DISCLOSED TO A 3rd PARTY WITHOUT WRITTEN PERMISSION OF CLIFF UK. © 1996

DRAWN: C.A.M.J.

APPROVED: R.W.T.