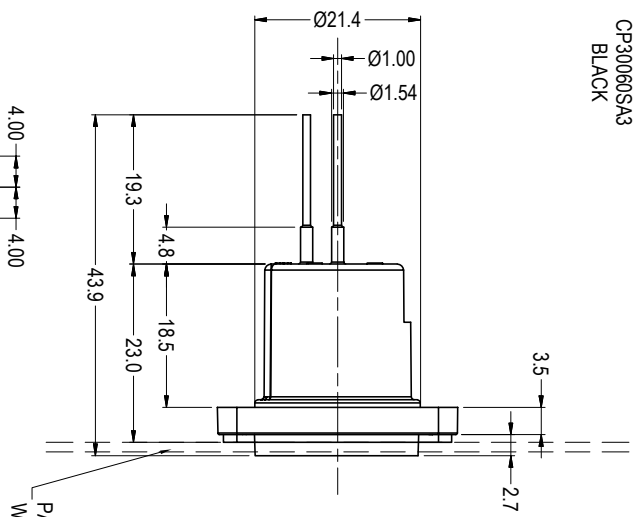
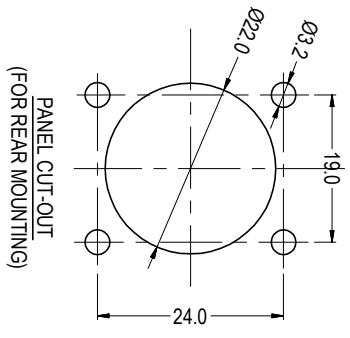
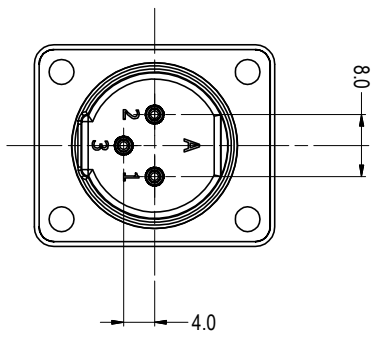
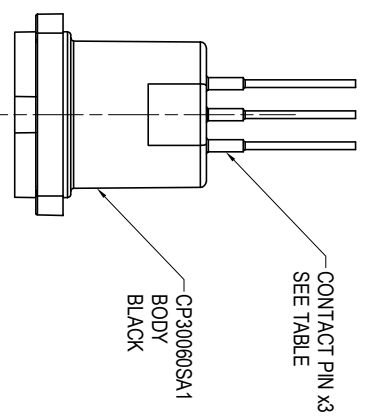
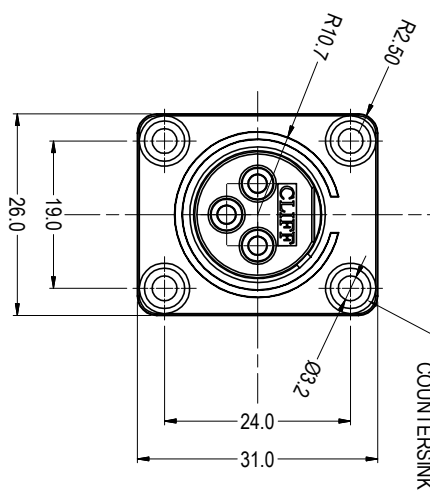


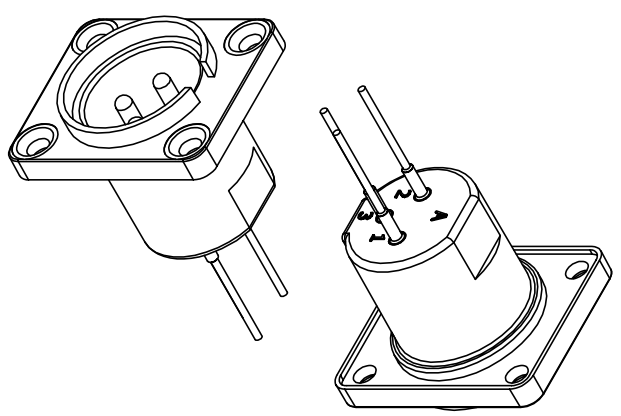
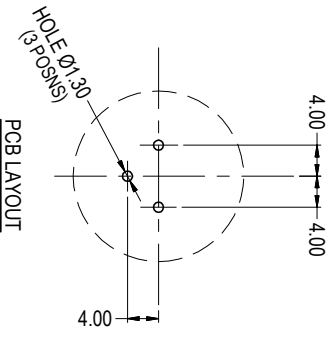
SUPPLIED WITH SEAL
CP30060SA3
BLACK



PANEL POSITION
WHEN REAR MOUNTED



| PART NUMBER | PIN TYPE | PIN PART NO. |
|-------------|---------------|--------------|
| CP30061 | GOLD PLATED | CP30061SA2 |
| CP30061S | SILVER PLATED | CP30061SA2S |



| REV | REVISION | DATE |
|-----|----------|------------|
| 1 | ISSUED | 05/11/2012 |



TOLERANCE
 NODEC. PLACE ±
 1 DEC. PLACE ±
 2 DEC. PLACE ±
 HOLE Ø ±
 ANGLES ±
 UNLESS
 OTHERWISE STATED

Cliff Electronic Components Ltd.

76 Holmehorne Avenue, Holmehorne Industrial Estate,
 Redhill, Surrey, RH1 2PF, England, UK
 Tel: 01737-771315 Fax: 01737-766012 Website: www.cliffuk.co.uk

DIMENSIONS IN MILLIMETERS UNLESS OTHERWISE STATED. WORK TO DIMENSIONS. REMOVE ALL BURRS. IF IN DOUBT ASK.
 MATERIAL: SEE PART DRAWINGS
 FINISH: SEE PART DRAWINGS
 DRAWN: NJB

3rd ANGLE PROJECTION: DO NOT SCALE
 TITLE: AIR-TIGHT 3-PIN MALE PCB XLR SOCKET
 DRWG. No. CP 30061
 APPROVED: DPJ
 FORM: ADDRWC