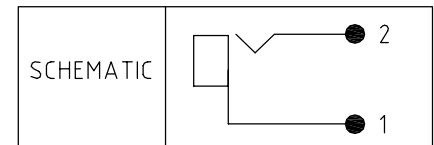
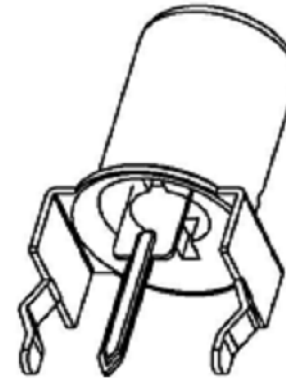
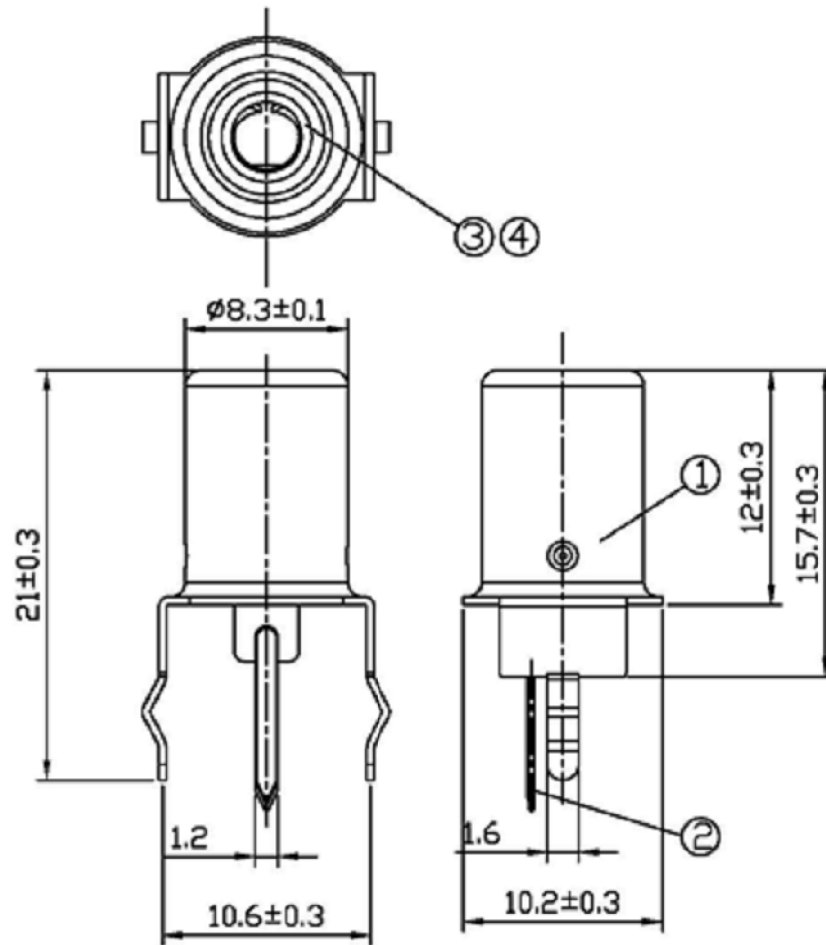
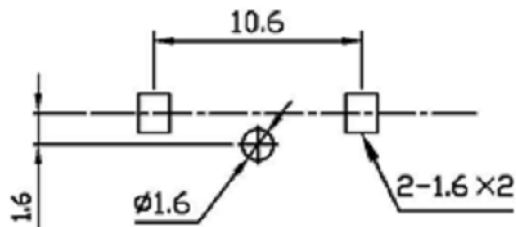


ISS.	AMEND	DATE
1	REDRAWN	06/07/90
2	TO MATCH PRODN	04/12/96
3	GOLD ADDED	26/10/00
4	UPDATE YEL+WHITE DEL	06/10/15



PART No.	WASHER	FINISH
FC68400	BLACK	TIN
FC68400G	BLACK	GOLD
FC68401	RED	TIN
FC68401G	RED	GOLD



T:1.6 Dimensions of PC board holes
Tolerance : ±0.05(Printed-bottom view)

UNLESS OTHERWISE SPECIFIED, TOLERANCE ±0.25

ITEM	DESCRIPTION	MATERIAL	FINISH
1	OUTER CONTACT	BRASS 0.4mm	SEE TABLE
2	TERMINAL	BRASS 0.3mm	SEE TABLE
3	WASHER	PBT 4815	UL94 V0 (SEE TABLE)
4	INSULATOR	PBT 4815	UL94 V0 (BLACK)

RoHS
COMPLIANT

TOLERANCE
NO DEC. PLACE ±
1 DEC. PLACE ±
2 DEC. PLACE ±
HOLE Ø ±
ANGLES ±
UNLESS OTHERWISE STATED

Cliff Electronic Components Ltd.

76 Holmethorpe Avenue, Holmethorpe Industrial Estate,
Redhill, Surrey, RH1 2PF, England, UK
Tel: 01737-771375 Fax: 01737-766012 Website: www.cliffuk.co.uk

DIMENSIONS IN MILLIMETERS UNLESS OTHERWISE STATED. WORK TO DIMENSIONS. REMOVE ALL BURRS. IF IN DOUBT ASK.

3rd ANGLE PROJECTION:

DO NOT SCALE

MATERIAL: SEE TABLE

FINISH: SEE TABLE

TITLE: SINGLE VERT PC PHONO SOCKET PHS7

THE CONTENTS OF THIS DOCUMENT MUST NOT BE COPIED OR DISCLOSED TO A 3rd PARTY WITHOUT WRITTEN PERMISSION OF CLIFF UK. © 1990

DRAWN: C.A.M.J.

APPROVED: R.W.T.

DRWG. No. **FC68400**

FORM: A4DRWGH