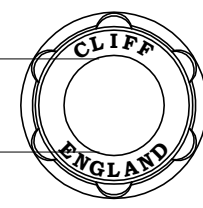
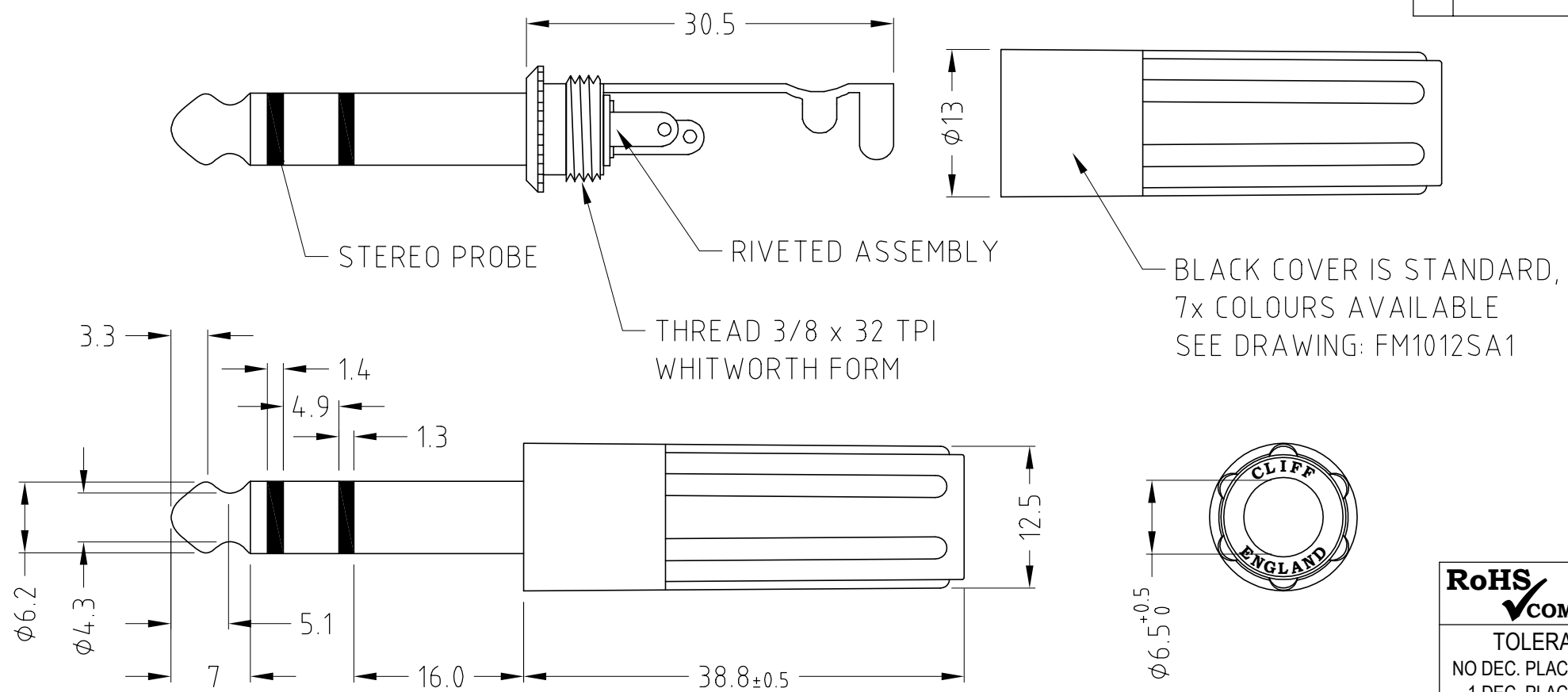


ISS.	AMEND	DATE
1	1st DRAWN	19/03/02
2	VIEWS UPDATED	30/10/13



RoHS COMPLIANT
TOLERANCE NO DEC. PLACE ± 0.50 1 DEC. PLACE ± 0.20 2 DEC. PLACE ± 0.10 HOLE Ø ± 0.10 ANGLES ± 1/2° UNLESS OTHERWISE STATED

Cliff Electronic Components Ltd. 76 Holmethorpe Avenue, Holmethorpe Industrial Estate, Redhill, Surrey, RH1 2PF, England, UK Tel: 01737-771375 Fax: 01737-766012 Website: www.cliffuk.co.uk	DIMENSIONS IN MILLIMETERS UNLESS OTHERWISE STATED. WORK TO DIMENSIONS. REMOVE ALL BURRS. IF IN DOUBT ASK.		ANGLE PROJECTION:	DO NOT SCALE
	MATERIAL: ABS / BRASS / STEEL / PHENOLIC FINISH: AS MOULDED / Ni / Sn / PLATED	TITLE: 1/4" (6.35mm) STEREO UNSCREENED JACK PLUG P4C		DRWG. No. FM1046
THE CONTENTS OF THIS DOCUMENT MUST NOT BE COPIED OR DISCLOSED TO A 3rd PARTY WITHOUT WRITTEN PERMISSION OF CLIFF UK. © 2002	DRAWN: C.A.M.J.	APPROVED: R.W.T.		