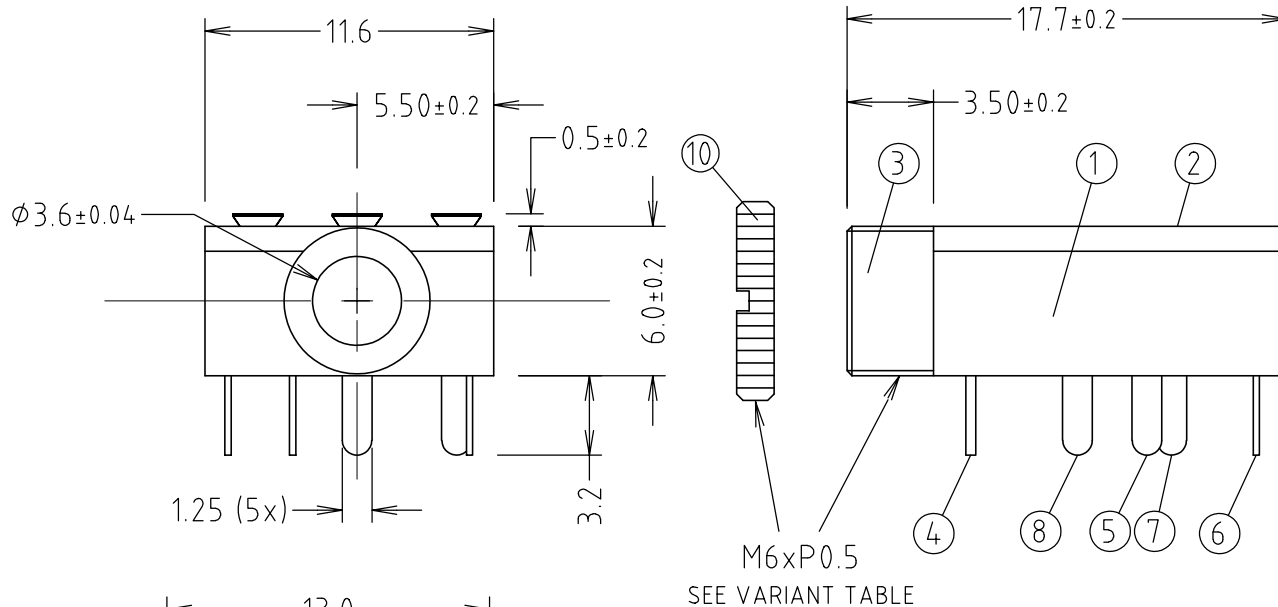
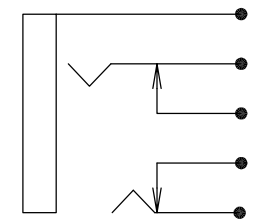


ISS.	AMEND	DATE
1	REDRAWN	08/12/89
2	ERROR CORRECT	27/06/90
3	FT6321 ADDED	26/03/99
4	NUT ADDED	04/03/10
5	UPDATE SPEC+BOM	26/06/19
6	UPDATE	21/10/20

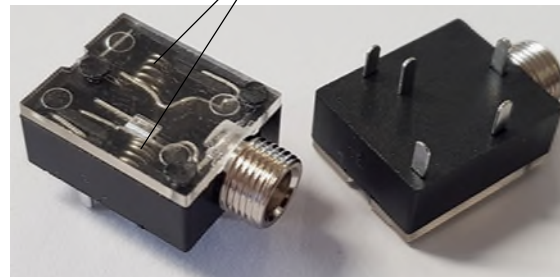


SCHEMATIC



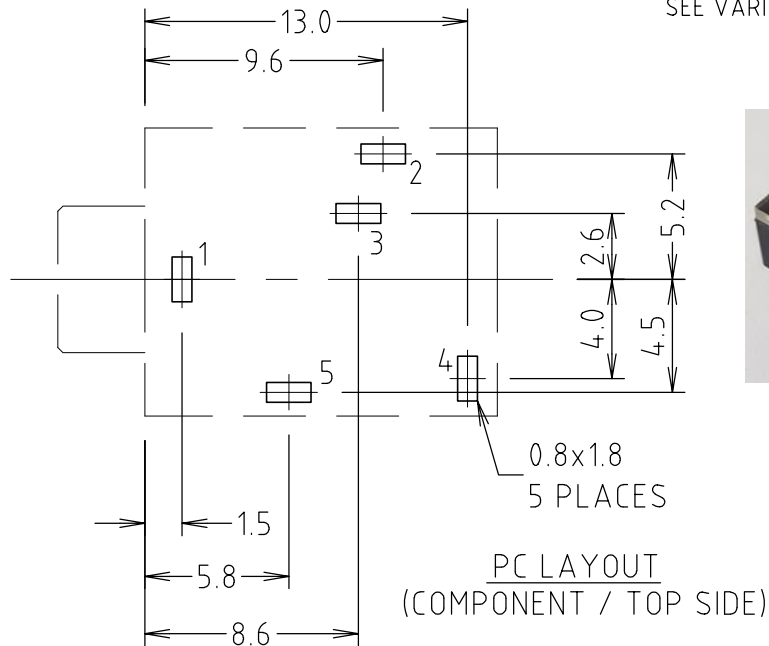
ITEM	PART NAME	QTY	MATERIAL	FINISH
1	BODY	1	PBT UL94-V0	BLACK
2	COVER	1	PC UL94-HB	CLEAR
3	NOSE	1	BRASS	Ni PLATE
4	EARTH TERM	1	BRASS	Ag PLATE
5	CONTACT	1	BRASS	Ag PLATE
6	CONTACT	1	BRASS	Ag PLATE
7	RING SPRING	1	PHOS BRONZE	Ag PLATE
8	TIP SPRING	1	BRASS	Ag PLATE
9	SPRING	2	SPRING STEEL	
10	RING NUT	1	BRASS	Ni PLATE

M6xP0.5
SEE VARIANT TABLE



SPECIFICATION

- a. Current Rating 24V DC / 2A
- b. Contact Resistance: 20mΩ max
- c. Insulation Resistance: 100MΩ min at 240V DC
- d. Dielectric Strength: 250V AC 1 minute
- e. Life: 5000+



VARIANTS		
PART No.	MODEL	WITH NUT
FT6320	JYS35 (M6x0.5)	YES
FT6321	JYS35 (PLAIN BUSH)	NO

NOTE: PLAIN BUSH VERSION HAS Ø6.0 NOSE

RoHS
COMPLIANT

TOLERANCE
 NO DEC. PLACE ± 0.50
 1 DEC. PLACE ± 0.20
 2 DEC. PLACE ± 0.10
 HOLE Ø ± 0.10
 ANGLES ± 1/2°
 UNLESS OTHERWISE STATED

DO NOT SCALE

Cliff Electronic Components Ltd.

76 Holmethorpe Avenue, Holmethorpe Industrial Estate,
 Redhill, Surrey, RH1 2PF, England, UK
 Tel: 01737-771375 Fax: 01737-766012 Website: www.cliffuk.co.uk

DIMENSIONS IN MILLIMETERS UNLESS OTHERWISE STATED. WORK TO DIMENSIONS. REMOVE ALL BURRS. IF IN DOUBT ASK.

3rd ANGLE PROJECTION:

MATERIAL: COMPOSITE SEE TABLE

TITLE: 3.5mm STEREO JACK SOCKET JYS35

FINISH: AS TABLE

DRAWN: C.A.M.J.

APPROVED: R.W.T.

DRWG. No. **FT6320**

FORM: A4DRWG

THE CONTENTS OF THIS DOCUMENT MUST NOT BE COPIED OR DISCLOSED TO A 3rd PARTY WITHOUT WRITTEN PERMISSION OF CLIFF UK. © 1989