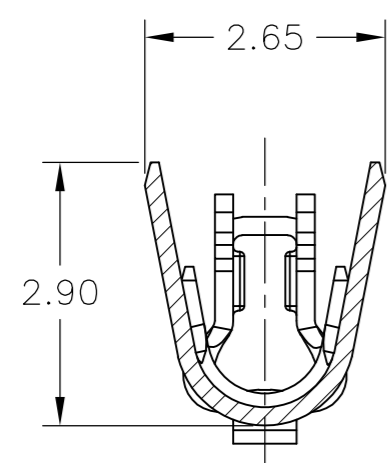
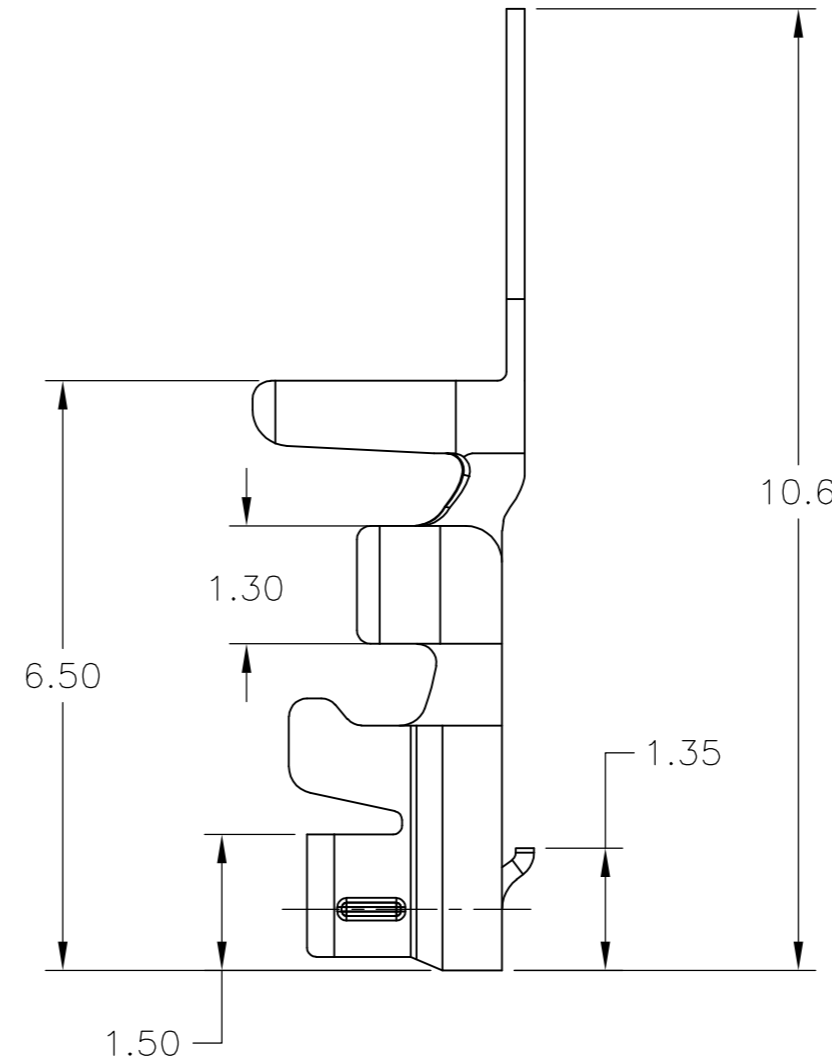
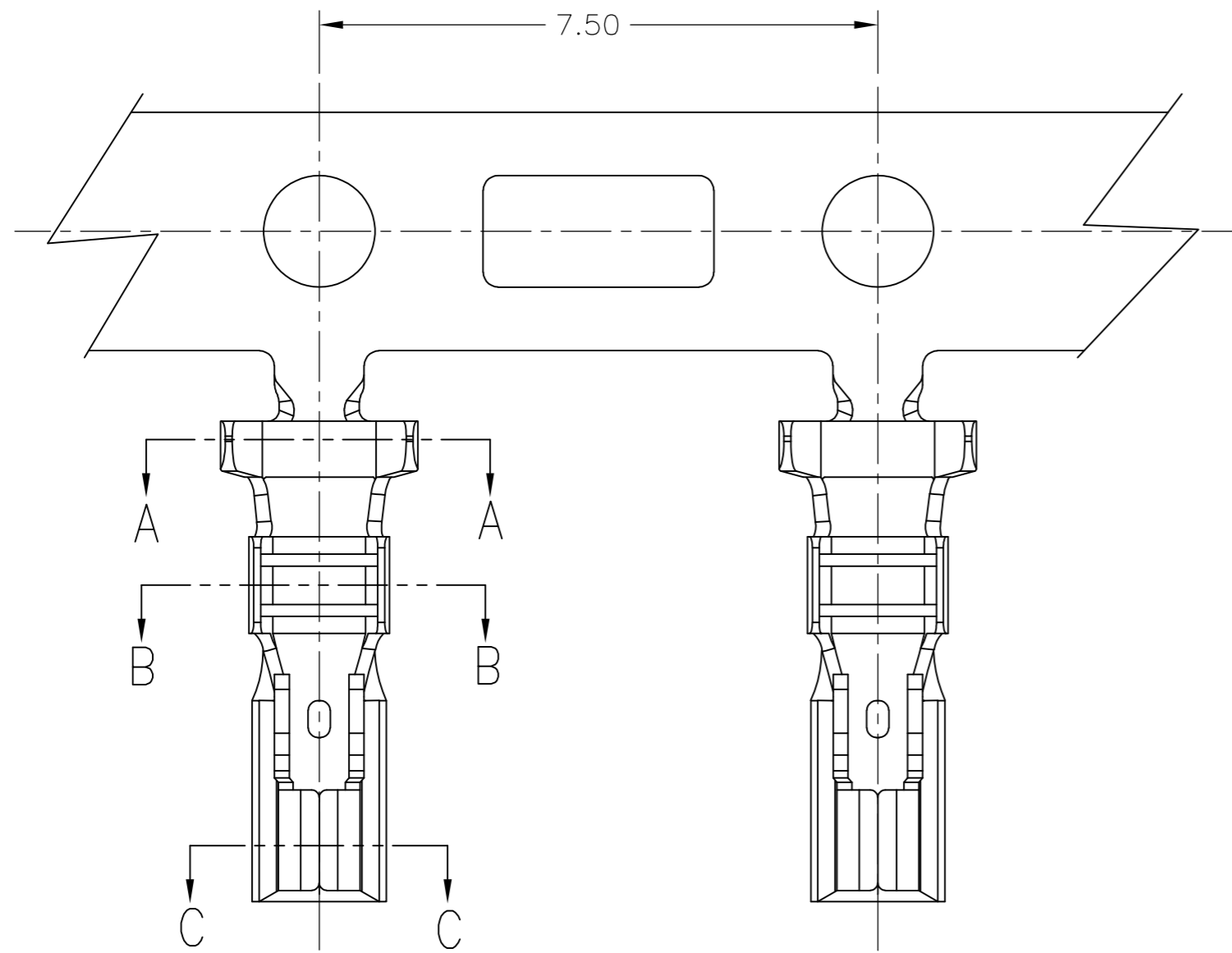


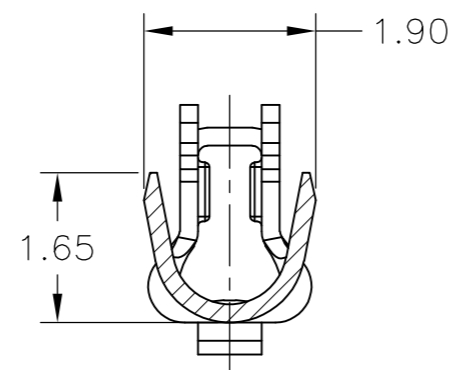
THIS DRAWING IS UNPUBLISHED. RELEASED FOR PUBLICATION
 © COPYRIGHT - By - ALL RIGHTS RESERVED.

LOC	DIST	REVISIONS					
GP	00	P	LTR	DESCRIPTION	DATE	DWN	APVD
		E		REVISED PER ECR-13-010876	20JAN2014	NK	TM

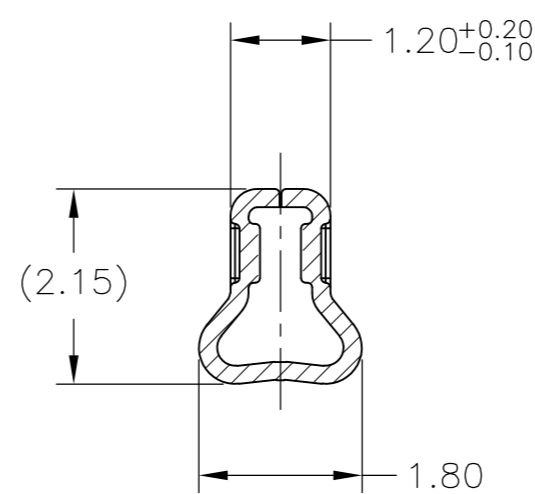
- 1 MATERIAL: PHOSPHOR BRONZE
- 2 DESIGNED FOR USE IN HOUSINGS 1969442-() OR 2110992-().
- 3 CONTACTS COATED WITH ANTI-FRETTING LUBRICANT.
- 4 CONTACT IS RoHS COMPLIANT.
- 5 WIRE RANGE: 0.13-0.36mm² [26-22 AWG] STRANDED.
- 6 INSULATION RANGE: 1.30-1.91
- 7 FINISH: PRE-TIN



SEC A-A



SEC B-B



SEC C-C

7	1	2110989-1
FINISH	MATERIAL	PART NUMBER

THIS DRAWING IS A CONTROLLED DOCUMENT.		DWN	C.ROHLER	30SEP2009	TE TE Connectivity		
DIMENSIONS: mm		CHK	C.ROHDE	30SEP2009			
TOLERANCES UNLESS OTHERWISE SPECIFIED:		APVD	C.ROHDE	30SEP2009	NAME		
0 PLC ± -		PRODUCT SPEC		CONTACT, ECONOMY POWER 2.5 RECEPTACLE			
1 PLC ± 0.50		APPLICATION SPEC		108-2418			
2 PLC ± 0.30		WEIGHT		114-13315			
3 PLC ± -		SCALE		A2 00779 C=2110989			
4 PLC ± -		SHEET		1 OF 1			
ANGLES ± -		REV		E			
FINISH		SEE TABLE		CUSTOMER DRAWING			