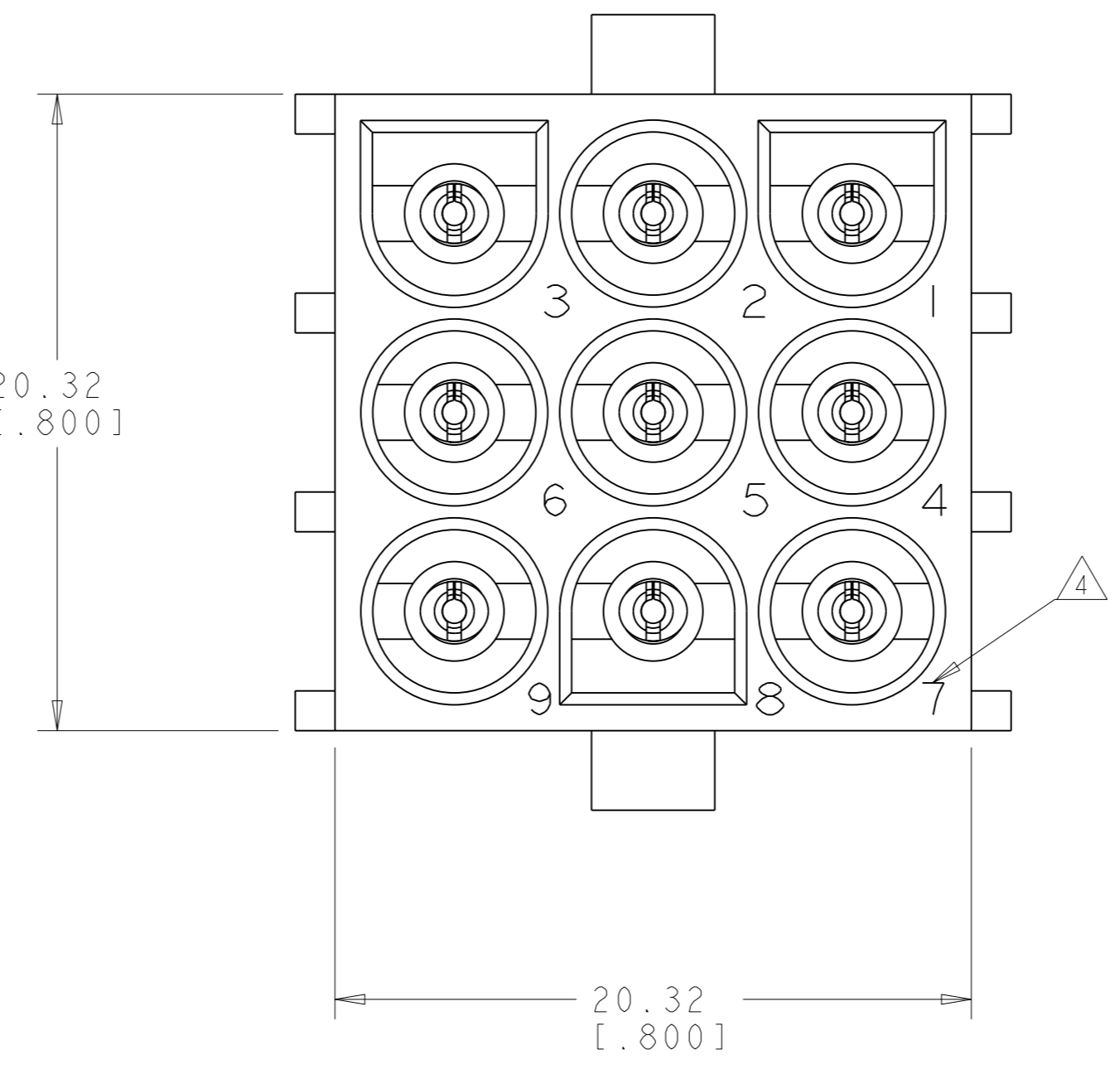
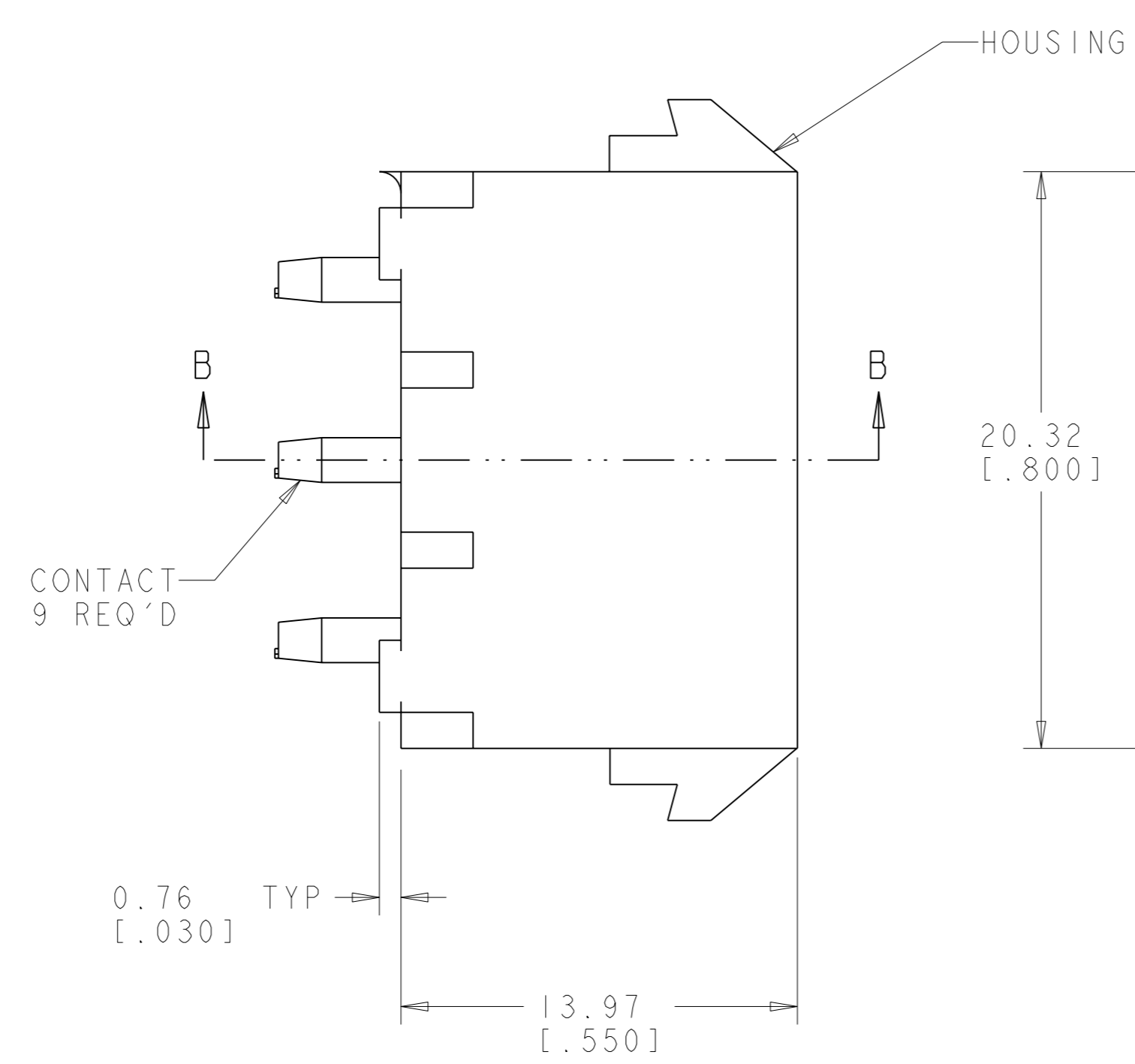
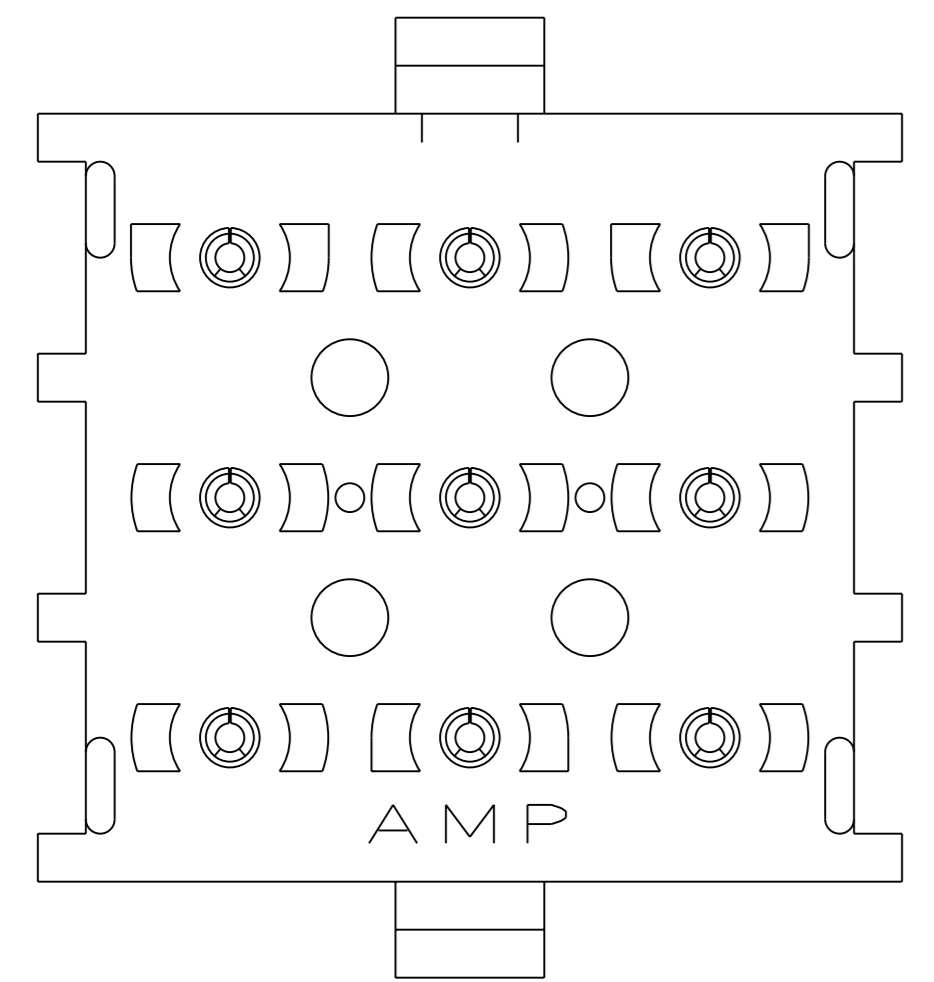
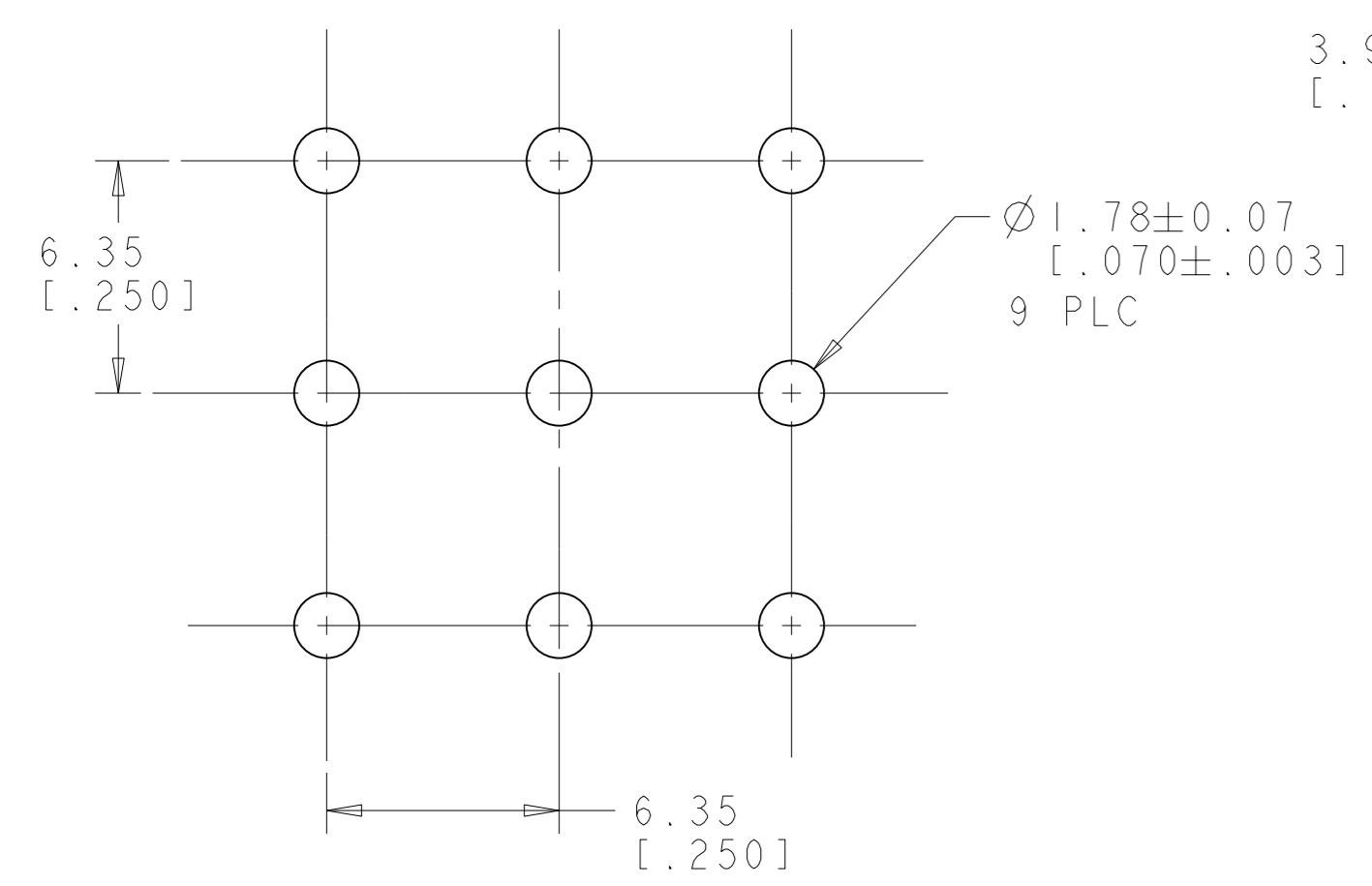
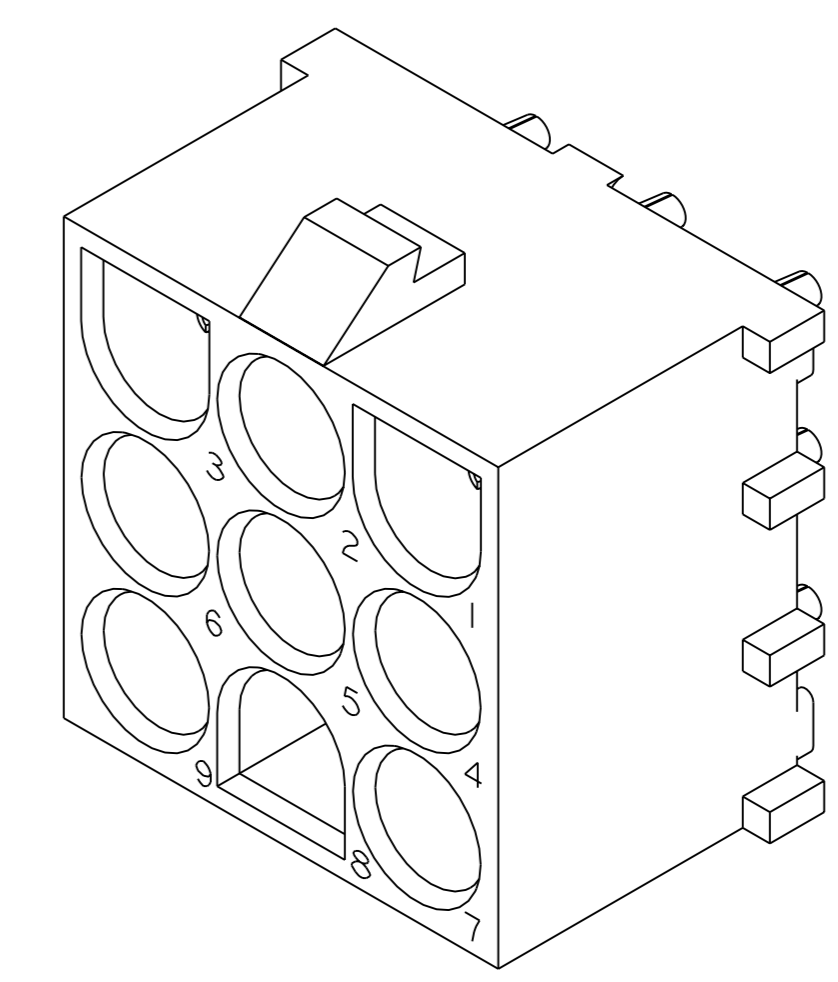
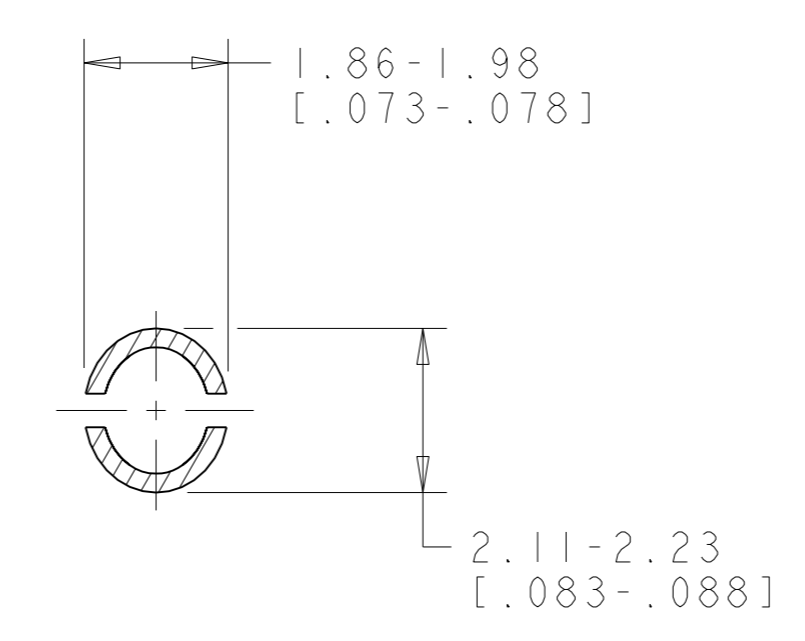
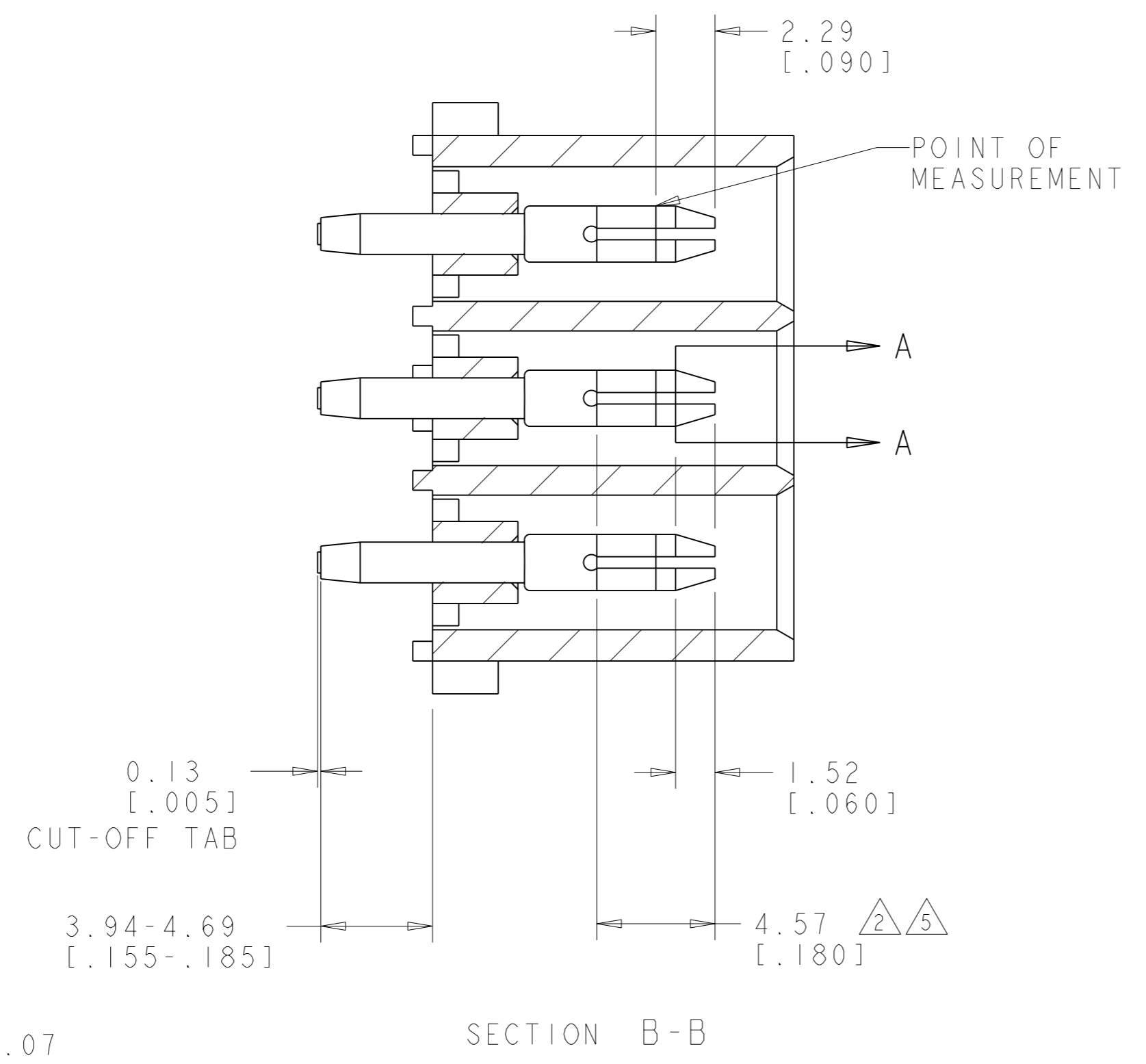


LOC		DIST		REVISIONS				
F	LYR	DESCRIPTION	DATE	DWN	APVD			
R		REVISED PER 063B-1100-04	25JULY05	KW	SR			



- PARTS COMPLY TO AMP SOLDERABILITY SPECIFICATION 109-11-3.
- CONTACT IS PLATED OVERALL WITH 0.00127 [.000050] NICKEL, THEN 0.00076 [.000030] GOLD OVER CONTACT LENGTH INDICATED AND TIN LEAD ON SOLDER TAIL END.
- MATES WITH HOUSING 350720.
- CIRCUIT IDENTIFICATION CHARACTERS ARE ADJACENT TO THE INDICATED CAVITIES, BUT LOCATION AND ORIENTATION MAY DIFFER FROM PRINT.
- CONTACT IS PLATED OVERALL WITH 0.00127 [.000050] NICKEL, THEN 0.00076 [.000030] GOLD OVER CONTACT LENGTH INDICATED AND MATTE TIN ON SOLDER TAIL END.
- DIMENSIONS IN BRACKETS ARE IN INCHES.



PHOSPOR BRONZE, GOLD	NYLON, UL94V-0, NATURAL	350712-4
PHOSPOR BRONZE, GOLD	NYLON, UL94V-0, NATURAL	350712-2
PHOSPOR BRONZE, PRE-TIN	NYLON, UL94V-0, NATURAL	350712-1
PIN CONTACT MATERIAL AND FINISH	HOUSING MATERIAL AND COLOR	PART NUMBER

METRIC

DIMENSIONS: mm [INCHES]		TOLERANCES UNLESS OTHERWISE SPECIFIED:		DWN: K. WHITAKER 25JULY2005		Tyco Electronics Harrisburg, PA 17105-3608	
0 PLC	±	1 PLC	±	CHK: S. RIDGILL 25JULY2005	NAME: PIN HEADER ASSEMBLY, 9 CIRCuits, UNIVERSAL MATE-N-LOK(TM)		RESTRICTED TO
2 PLC	±	3 PLC	±0.13(.005)	APVD: S. RIDGILL 25JULY2005	APPLICATION SPEC		SIZE: A
4 PLC	±	ANGLES	40° 30'	WEIGHT		SCALE: 1:1	SHEET 1 OF 1
MATERIAL SEE TABLE		FINISH SEE TABLE		CUSTOMER DRAWING		REV R	