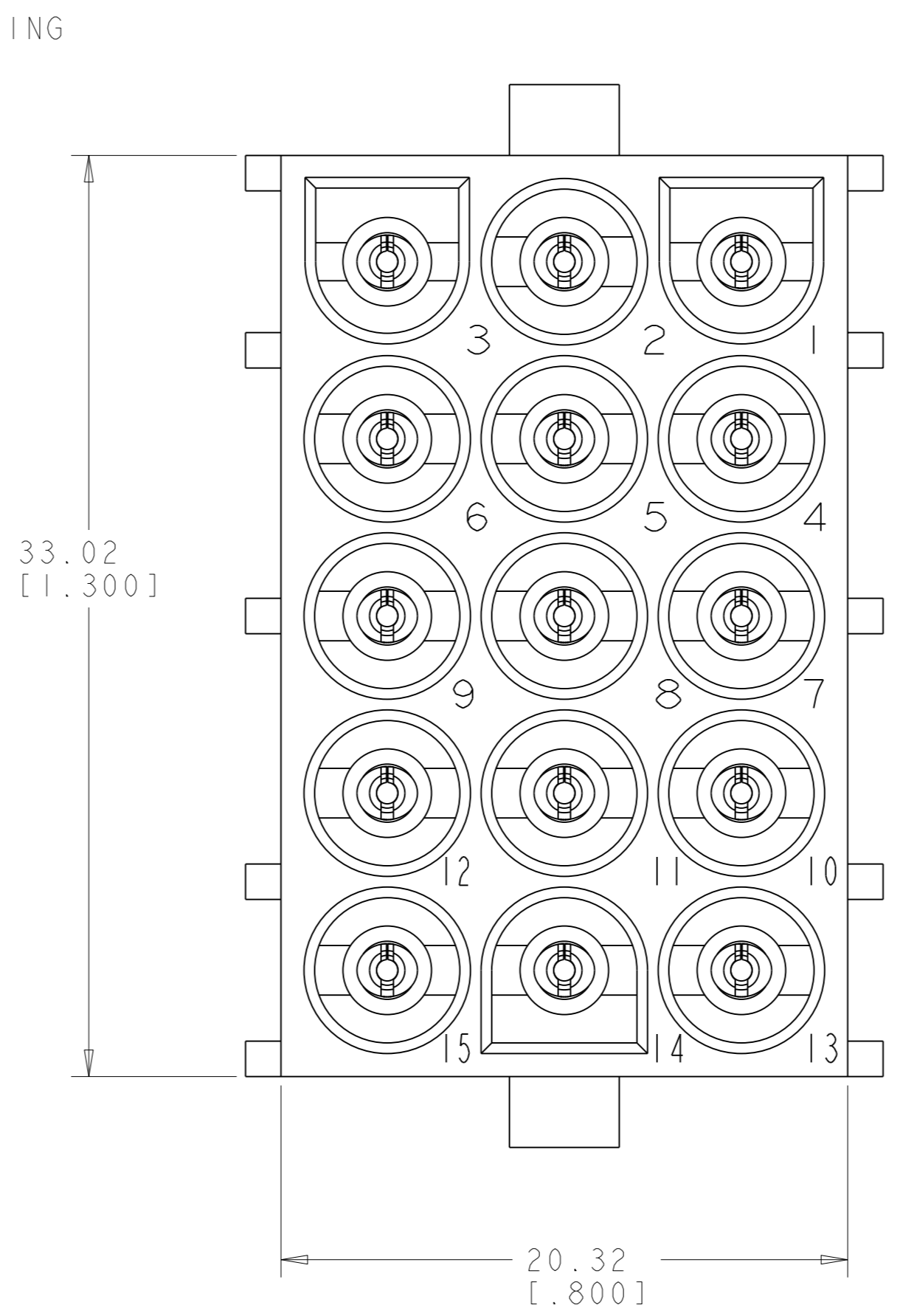
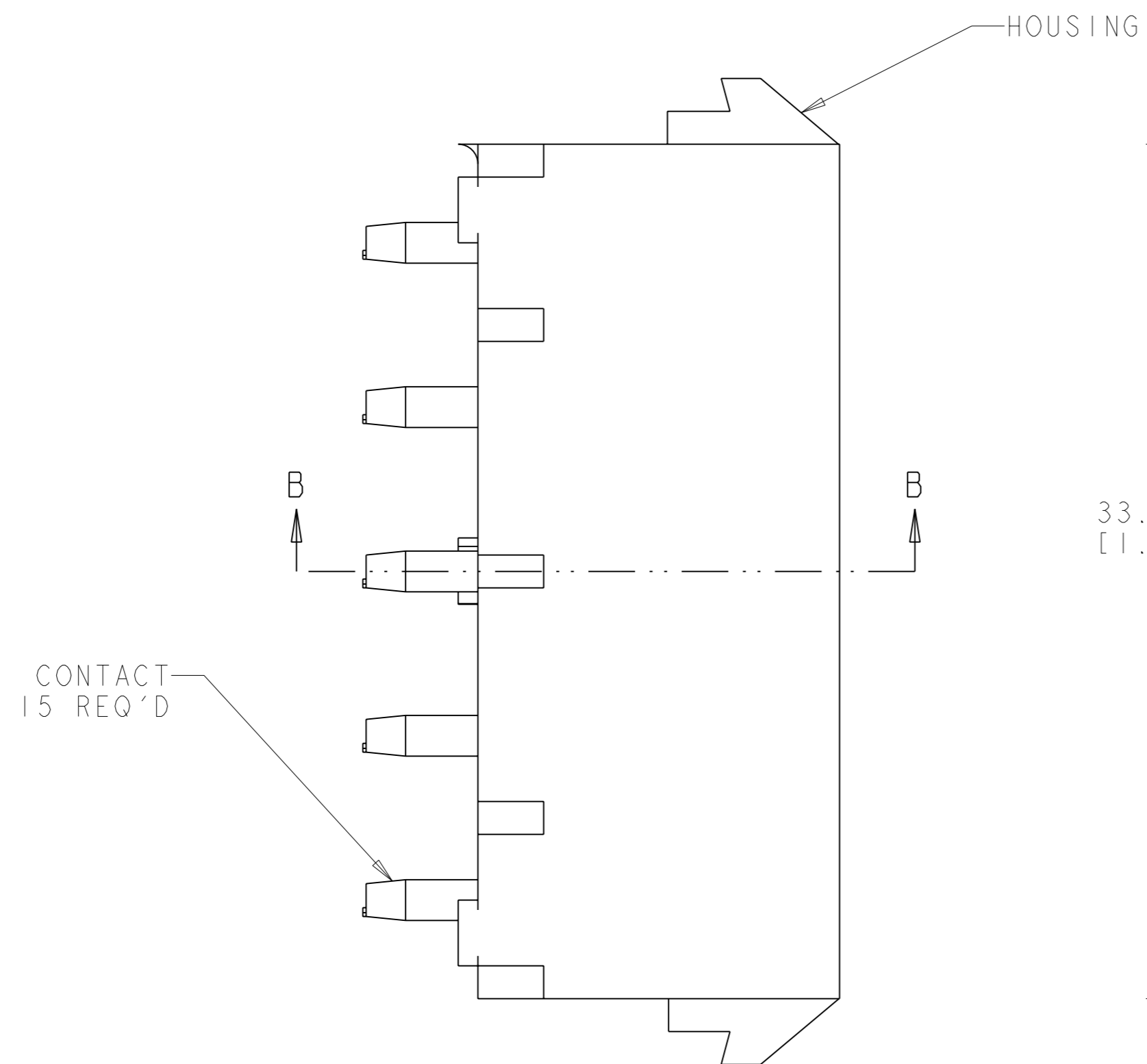
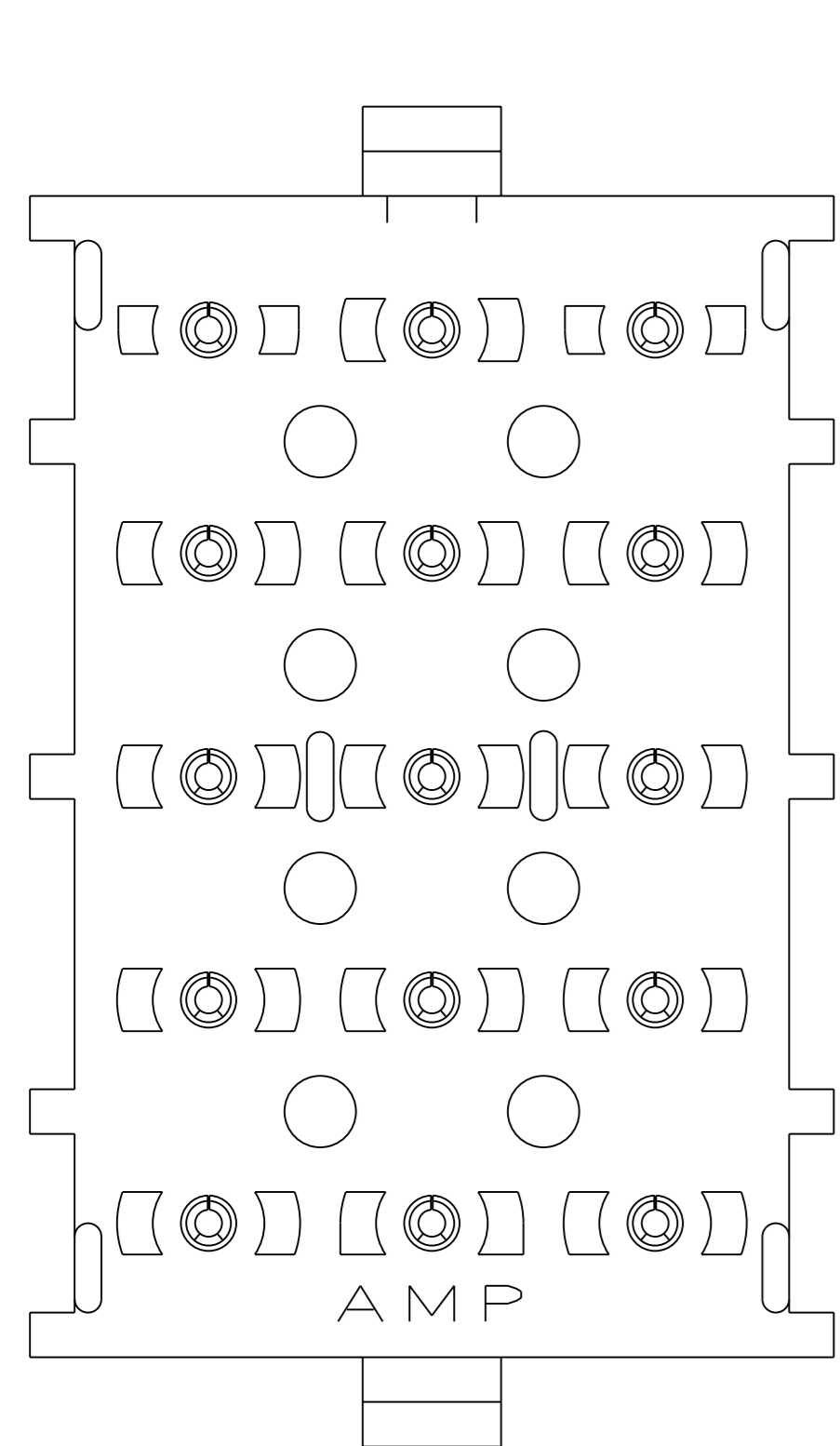
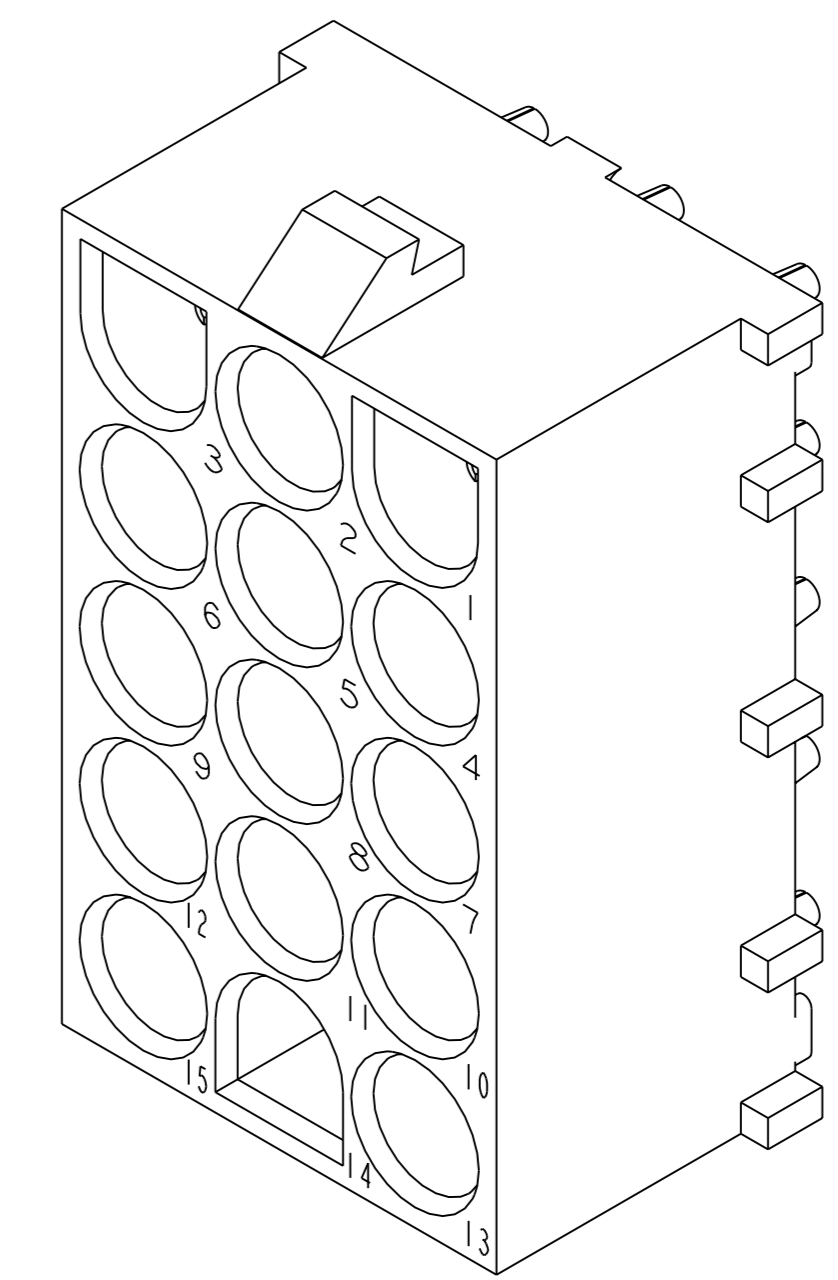


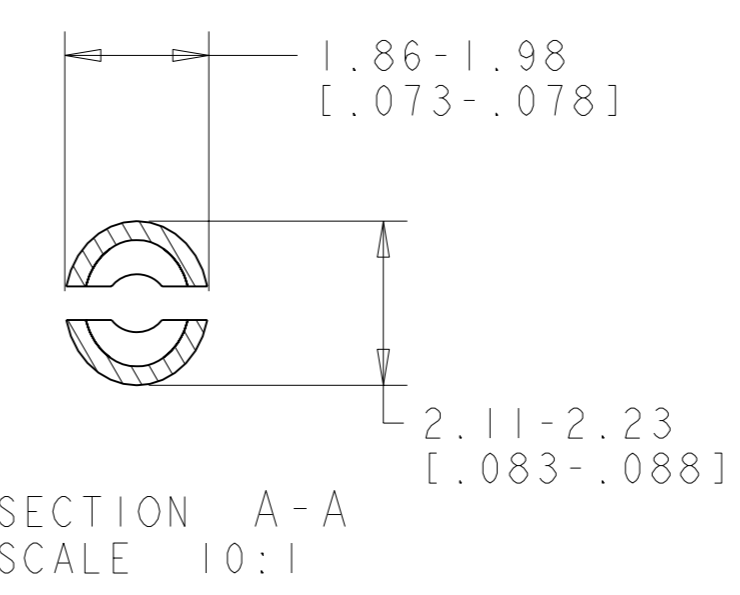
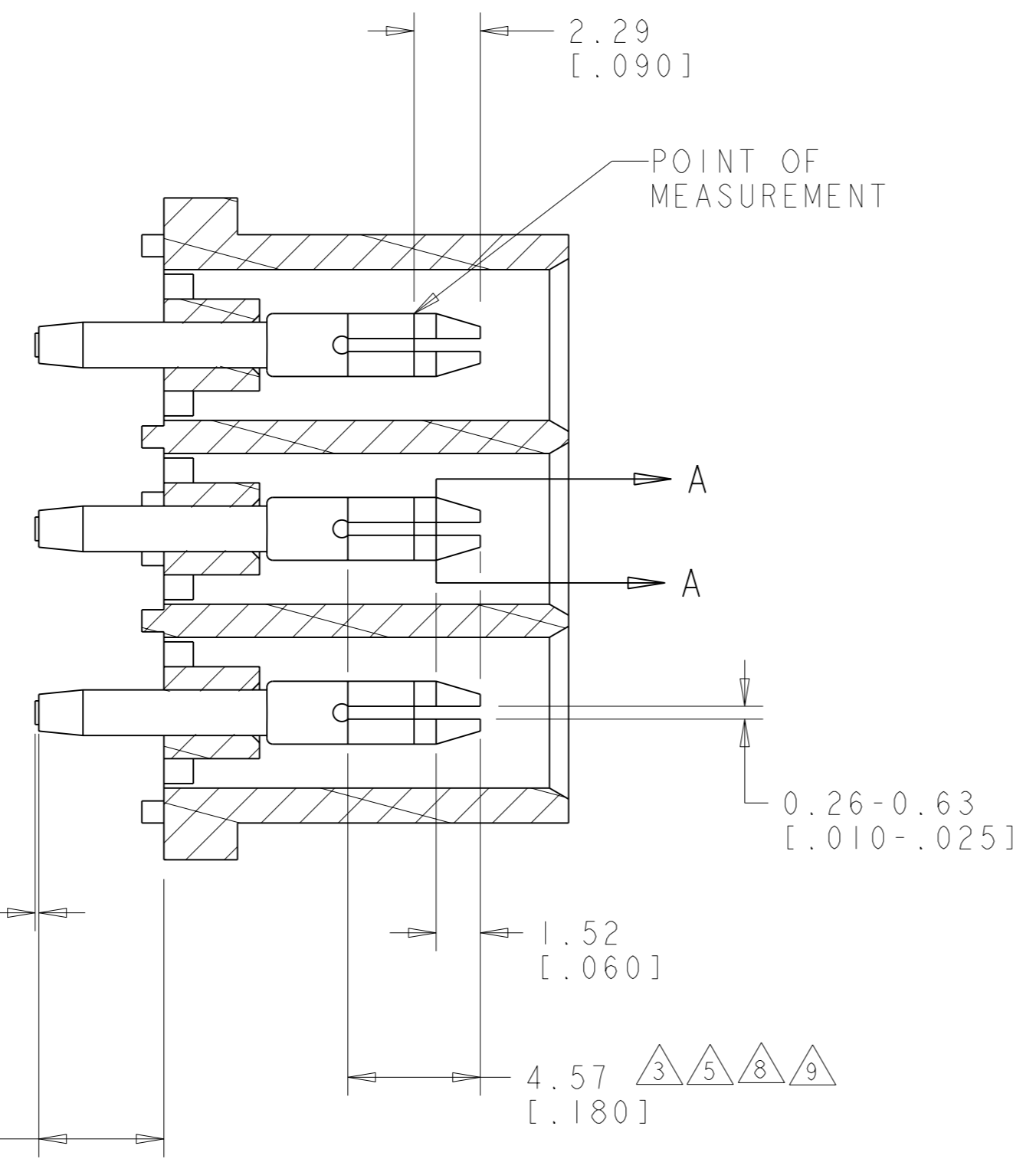
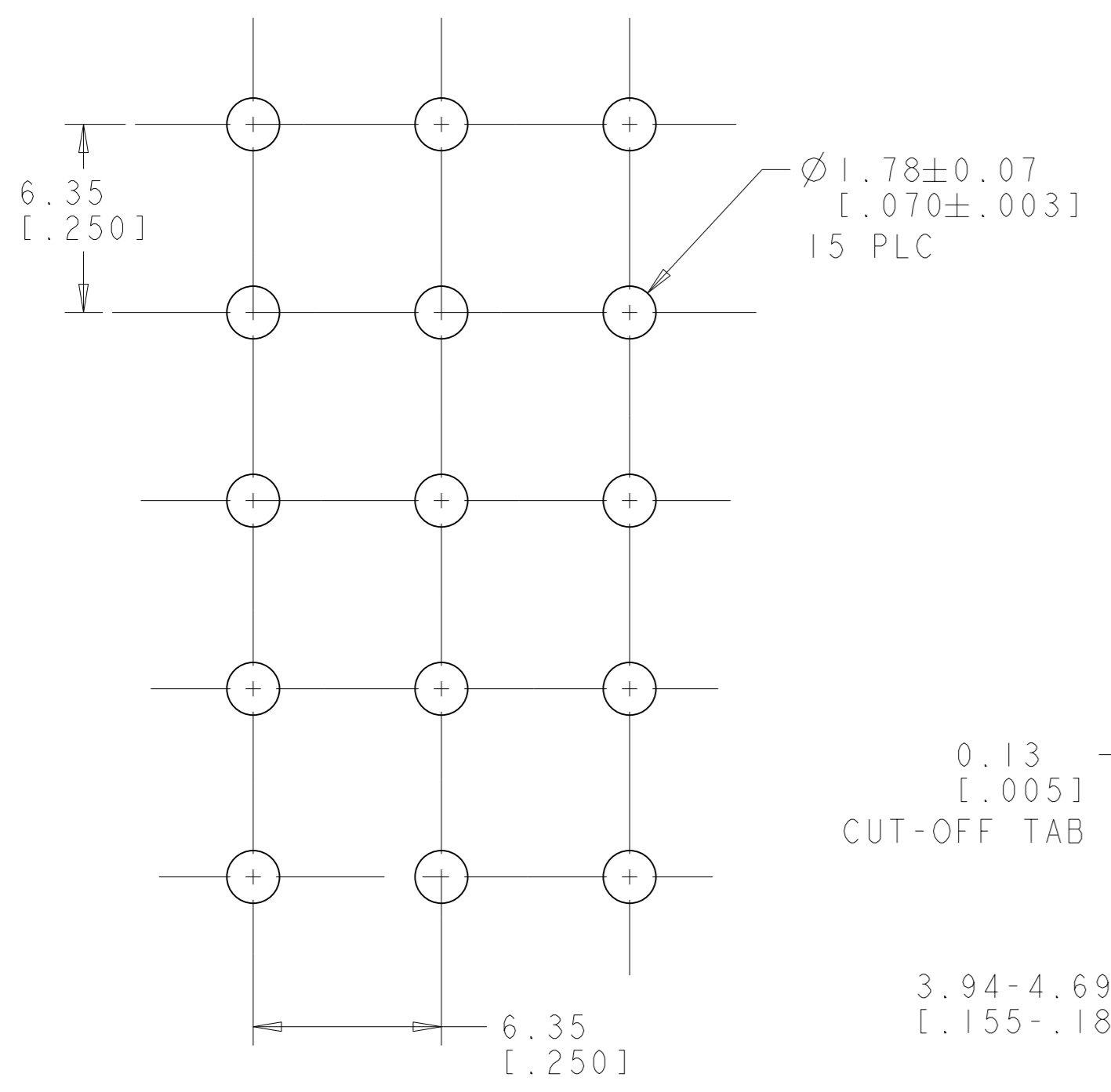
LOC		DIST		REVISIONS			
P	REV	DESCRIPTION	DATE	DWN	APVD	REV	DATE
P		REVISED PER 0G3B-1100-04	26JULY05	KW	SR		



1. MATES WITH HOUSING 350736.
2. NOTE DELETED.
3. PARTS COMPLY TO AMP SOLDERABILITY SPECIFICATION 109-11-3.
4. CONTACT IS PLATED OVERALL WITH 0.00127 [.000050] NICKEL, THEN 0.00076 [.000030] GOLD OVER CONTACT LENGTH INDICATED AND TIN LEAD ON SOLDER TAIL END.
5. CONTACT IS PLATED OVERALL WITH 0.00127 [.000050] NICKEL, THEN 0.00038 [.000015] GOLD OVER CONTACT LENGTH INDICATED AND TIN LEAD ON SOLDER TAIL END.
6. PACKAGED PER SPEC 107-1202.
7. CIRCUIT IDENTIFICATION CHARACTERS ARE ADJACENT TO THE INDICATED CAVITIES, BUT LOCATION AND ORIENTATION MAY DIFFER FROM PRINT.
8. CONTACT IS PLATED OVERALL WITH 0.00127 [.000050] NICKEL, THEN 0.00076 [.000030] GOLD OVER CONTACT LENGTH INDICATED AND MATTE TIN ON SOLDER TAIL END.
9. CONTACT IS PLATED OVERALL WITH 0.00127 [.000050] NICKEL, THEN 0.00038 [.000015] GOLD OVER CONTACT LENGTH INDICATED AND MATTE TIN ON SOLDER TAIL END.
10. DIMENSIONS IN BRACKETS ARE IN INCHES.

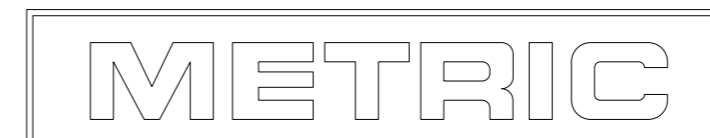


3 DIMENSIONAL MODEL
SCALE 4:1



PIN CONTACT MATERIAL AND FINISH	HOUSING MATERIAL AND COLOR	PART NUMBER
PHOSPOR BRONZE, PRE-TIN ⁶	NYLON, UL94V-2, NATURAL	1-350714-1
PHOSPOR BRONZE, GOLD ⁹	NYLON, UL94V-2, NATURAL	350714-5
PHOSPOR BRONZE, GOLD ⁸	NYLON, UL94V-2, NATURAL	350714-4
PHOSPOR BRONZE, GOLD ⁵	NYLON, UL94V-2, NATURAL	350714-3
PHOSPOR BRONZE, GOLD ³	NYLON, UL94V-2, NATURAL	350714-2
PHOSPOR BRONZE, PRE-TIN	NYLON, UL94V-2, NATURAL	350714-1

RECOMMENDED MOUNTING HOLE PATTERN FOR 1.57 [.062] THICK P.C. BOARD HOLE THAT CORRESPONDS TO REMOVED CONTACT CAN BE OMITTED



DIMENSIONS: mm [INCHES]		TOLERANCES UNLESS OTHERWISE SPECIFIED: 0 PLC ± 1 PLC ± 2 PLC ±0.13(.005) 3 PLC ± 4 PLC ± ANGLES ±40°30'		DWN: K. WHITAKER 26 JULY 2005 CHK: S. RIDGILL 26 JULY 2005 APVD: S. RIDGILL 26 JULY 2005		Tyco Electronics Harrisburg, PA 17105-3608	
MATERIAL: SEE TABLE		FINISH: SEE TABLE		NAME: PIN HEADER ASSEMBLY, 15 CIRCUIT, UNIVERSAL MATE-N-LOK(TM)		SIZE: A 00779 C=350714	
WEIGHT: -		SCALE: 1:1		SHEET: 1 OF 1		REV: P	