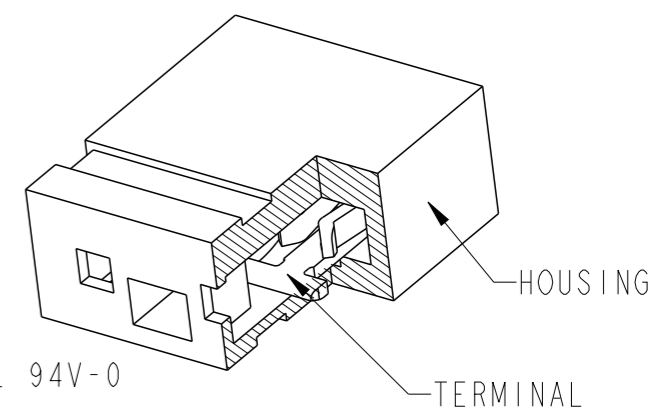


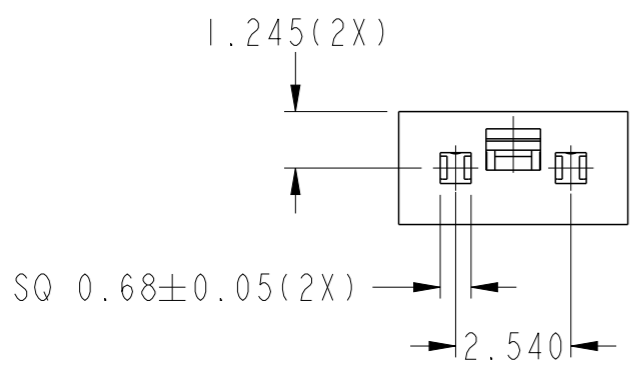
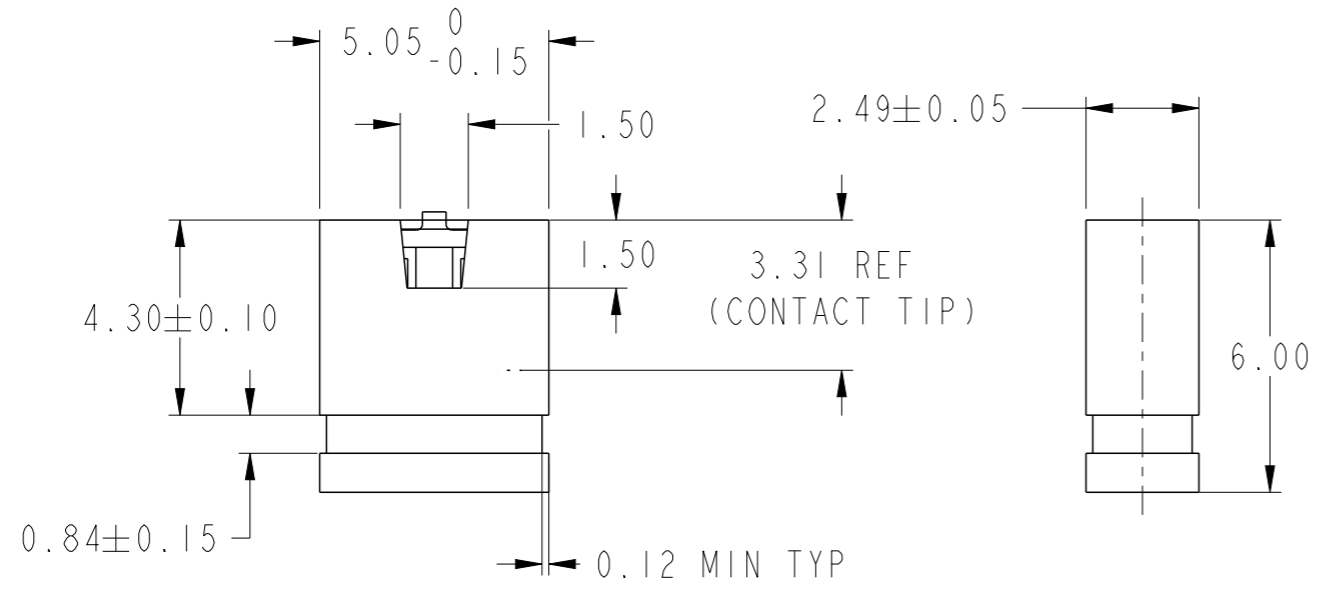
PRODUCT NO	PLATING
63429-1Y2	0.38um/15u" GOLD OR GXT ON CONTACT AREA OVER 1.27um/50u" Ni (SEE NOTE 7)
63429-2Y2	0.76um/30u" GOLD GXT ON CONTACT AREA OVER 1.27um/50u" Ni (SEE NOTE 7)
63429-3Y2	2.54um/100u" TIN/LEAD OVER 1.27um/50u" Ni
63429-4Y2	GOLD FLASH ON CONTACT AREA OVER 1.27um/50u" Ni

PRODUCT NO	PLATING
63429-1Y2LF SEE NOTE 6	0.38um/15u" GOLD OR GXT ON CONTACT AREA OVER 1.27um/50u" Ni (SEE NOTE 7)
63429-2Y2LF SEE NOTE 6	0.76um/30u" GOLD OR GXT ON CONTACT AREA OVER 1.27um/50u" Ni (SEE NOTE 7)
63429-4Y2LF SEE NOTE 6	GOLD FLASH ON CONTACT AREA OVER 1.27um/50u" Ni

Y	HSG COLOR	HOUSING MATERIAL
Y = 0	WHITE	30% GLASS FILLED POLYESTER (SEE NOTE 4)
Y = 1	BLACK	30% GLASS FILLED POLYESTER (SEE NOTE 4)
Y = 2	YELLOW	30% GLASS FILLED POLYESTER (SEE NOTE 4)
Y = 3	BLUE	30% GLASS FILLED POLYESTER (SEE NOTE 4)
Y = 4	BLACK	30% GLASS FILLED LCP (SEE NOTE 5)



- NOTE:
- MATERIAL
HOUSING & COLOR: REFER TO TABLE.
FLAME RETARDANT PER UL 94V-0
TERMINAL : PHOSPHOR BRONZE
 - PLATING : REFER TO TABLE
 - TECHNICAL REQUIREMENTS:
INSERTION FORCE : 12 NEWTONS (2.7 LB) MAX. PER CONNECTOR.
WITHDRAWL FORCE : 2 NEWTONS (0.45 LB) MIN. PER CONNECTOR.
(MATE WITH 0.635MM SQ. PIN 2.54MM PITCH HEADER)
 - THE HOUSING WILL WITHSTAND EXPOSURE TO 200°C PEAK TEMPERATURE FOR 10 SECONDS IN A CONVECTION, INFRA-RED OR VAPOR PHASE REFLOW OVEN.
 - THE HOUSING WILL WITHSTAND EXPOSURE TO 260°C PEAK TEMPERATURE FOR 10 SECONDS IN A CONVECTION, INFRA-RED OR VAPOR PHASE REFLOW OVEN.
 - THIS PRODUCT MEETS EUROPEAN UNION DIRECTIVES AND OTHER COUNTRY REGULATIONS AS DESCRIBED IN GS-22-008.
 - PLATING OPTION:
MAY BE EITHER GOLD OR GXT PLATED AT MANUFACTURER'S OPTION.



spec ref	dr	Louis Ng	2010/10/11	projection	MM	size	A3	scale	6:1
tolerance std	eng	Zheng-Kun Hu	2014/09/19			ecn no	ELX-N-18461-1	rel level	Released
ISO 406 ISO 1101	chr	-	-						
surface	linear	0.X	±0.35		JUMPER	dwg no	63429	rev	J
		0.XX	±0.25						
ISO 1302	angular	0°	±3°	www.fci.com	cat. no.	-	Product - Customer Drw	sheet 1 of 1	

Copyright FCI.