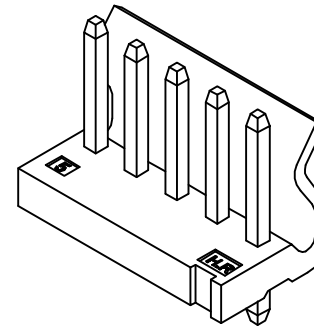


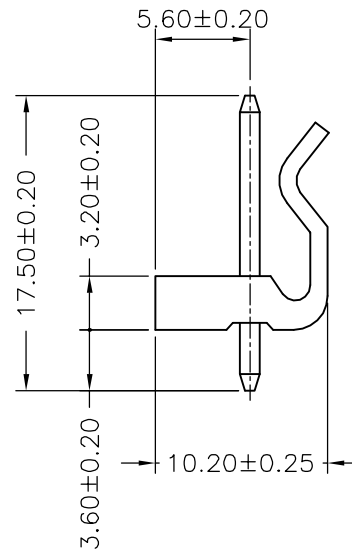
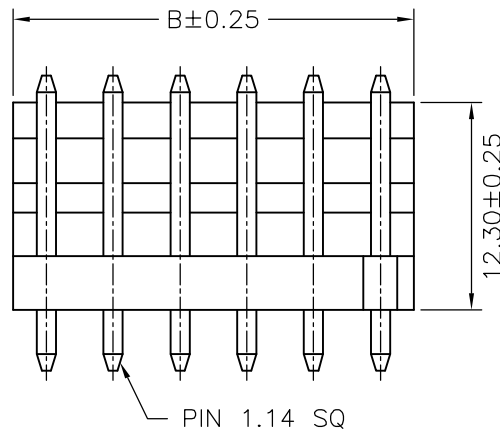
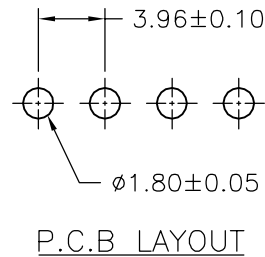
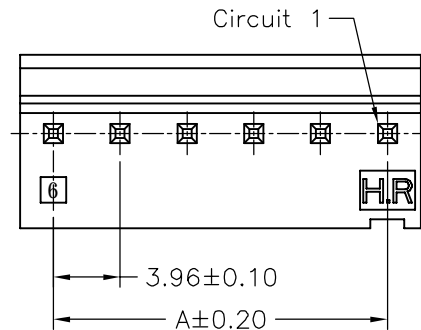
SPECIFICATIONS

Current Rating: 7A AC,DC
 Voltage Rating: 250V AC,DC
 Temperature Range: -25°C ~ +85°C
 Contact Resistance: 10mΩ Max
 Insulation Resistance: 1000MΩ Min
 Withstanding Voltage: 1500V AC/minute
 Pin Material: Brass/Tin-plated
 Material: Nylon 66,UL94V-2
 Color: Natural(Translucent)



Ordering Information & Dimensions

PART NO.	Dimensions	
	A	B
A3960WV-02P	3.96	7.92
A3960WV-03P	7.92	11.88
A3960WV-04P	11.88	15.84
A3960WV-05P	15.84	19.80
A3960WV-06P	19.80	23.76
A3960WV-07P	23.76	27.72
A3960WV-08P	27.72	31.68
A3960WV-09P	31.68	35.64
A3960WV-10P	35.64	39.60
A3960WV-11P	39.60	43.56
A3960WV-12P	43.56	47.52
A3960WV-13P	47.52	51.48
A3960WV-14P	51.48	55.44
A3960WV-15P	55.44	59.40
A3960WV-16P	59.40	63.36
A3960WV-17P	63.36	67.32
A3960WV-18P	67.32	71.28
A3960WV-19P	71.28	75.24
A3960WV-20P	75.24	79.20



UNIT		SCALE	SHEET	TITLE:	
mm			1 of 1	3.96mm PITCH 180° WAFER	
DRAWN BY		APPROVED BY			
董正一 2001.02.01		董正一 2001.02.01			
GENERAL TOLERANCE					
B1	REVISE	2006.10.31	X. X±0.25	ANGLE±	
B0	NEW RELEASE	2006.05.29	X. XX±0.15	DRAW NO.: A3960WV-XP	
REV.	DESCRIPTION	DATE	X. XXX±0.05		
				REV. B1	