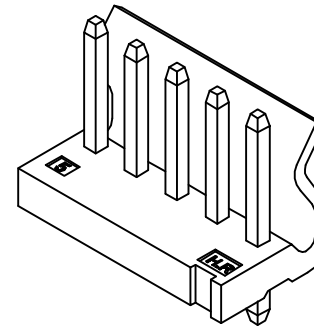


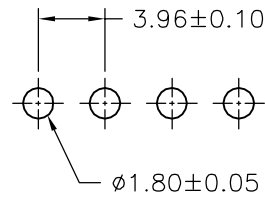
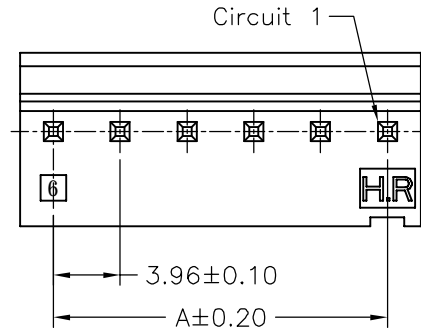
**SPECIFICATIONS**

Current Rating: 7A AC,DC  
 Voltage Rating: 250V AC,DC  
 Temperature Range: -25°C ~ +85°C  
 Contact Resistance: 10mΩ Max  
 Insulation Resistance: 1000MΩ Min  
 Withstanding Voltage: 1500V AC/minute  
 Pin Material: Brass/Tin-plated  
 Material: Nylon 66,UL94V-2  
 Color: Natural(Translucent)

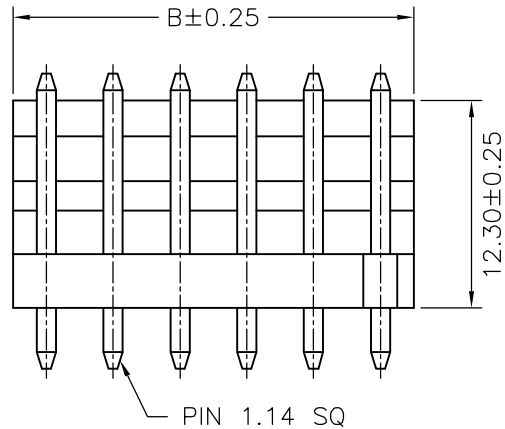


**Ordering Information & Dimensions**

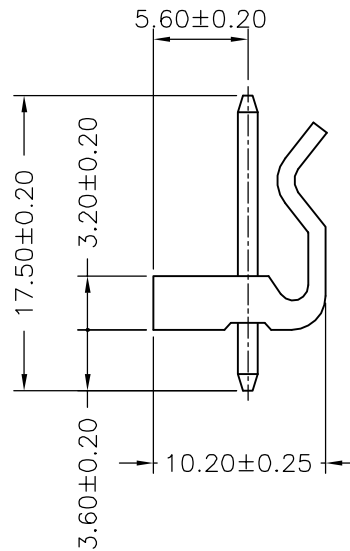
PART NO.	Dimensions	
	A	B
A3960WV-02P	3.96	7.92
A3960WV-03P	7.92	11.88
A3960WV-04P	11.88	15.84
A3960WV-05P	15.84	19.80
A3960WV-06P	19.80	23.76
A3960WV-07P	23.76	27.72
A3960WV-08P	27.72	31.68
A3960WV-09P	31.68	35.64
A3960WV-10P	35.64	39.60
A3960WV-11P	39.60	43.56
A3960WV-12P	43.56	47.52
A3960WV-13P	47.52	51.48
A3960WV-14P	51.48	55.44
A3960WV-15P	55.44	59.40
A3960WV-16P	59.40	63.36
A3960WV-17P	63.36	67.32
A3960WV-18P	67.32	71.28
A3960WV-19P	71.28	75.24
A3960WV-20P	75.24	79.20



P.C.B LAYOUT



PIN 1.14 SQ



				UNIT	SCALE	SHEET	TITLE:
				mm		1 of 1	
				DRAWN BY	APPROVED BY		3.96mm PITCH 180° WAFER
				董正一	董正一		
				2001.02.01	2001.02.01		
				GENERAL TOLERANCE			
B1	REVISE	2006.10.31	X. X±0.25	ANGLE±		DRAW NO.: A3960WV-XP	
B0	NEW RELEASE	2006.05.29	X. XX±0.15				
REV.	DESCRIPTION	DATE	X. XXX±0.05				
						REV. B1	