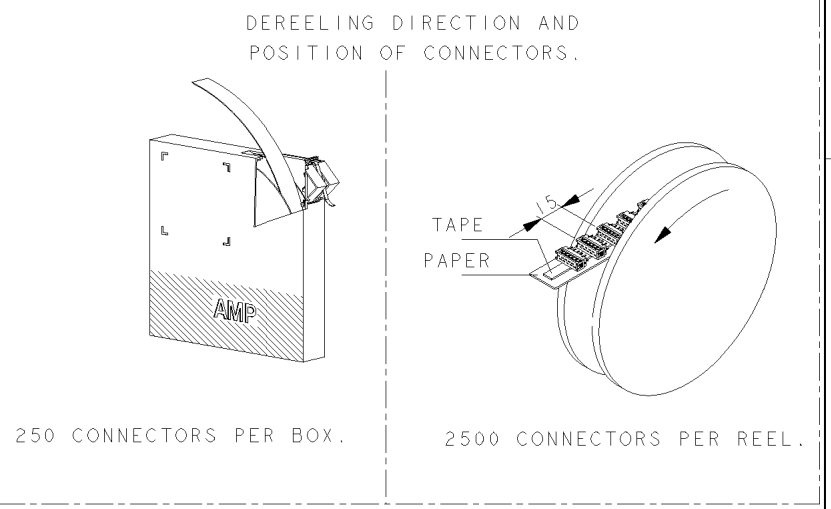
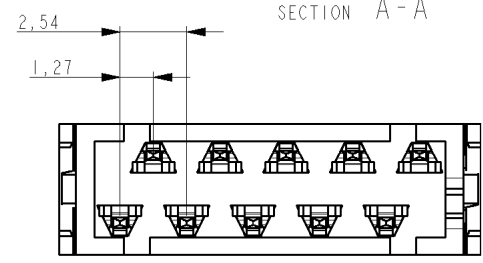
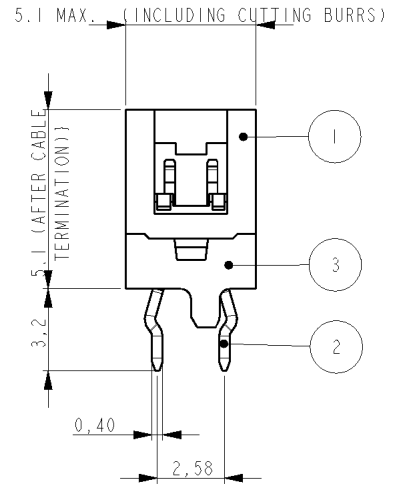
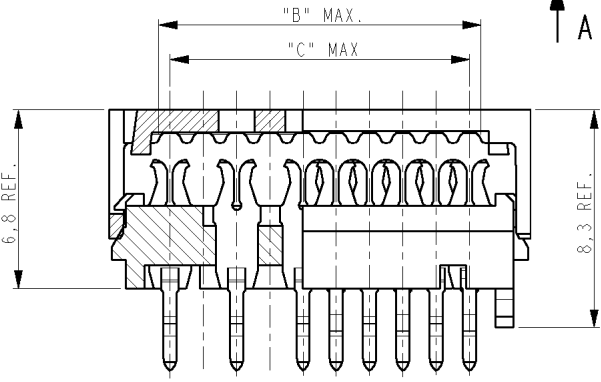
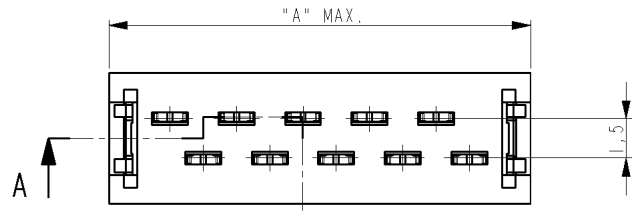


LOC	DIST	REVISIONS			
		LTR	DESCRIPTION	DATE	APVD
H	-	N	ECN EH00-01263-01	07/11/01	H.S.
		P	ECN EH00-1352-01	4/12/01	H.S.
		R	ECN EH01-1328-03	12 NOV 03	PDJ

PARTNUMBER BOX PACKAGE	PARTNUMBER REEL PACKAGE	NR OF POS	DIMENSIONS		
			"A" MAX.	"B" MAX.	"C"
7-215570-4	215570-4	4	8.6	5.4	3.81
7-215570-6	215570-6	6	11.1	8.0	6.35
7-215570-8	215570-8	8	13.6	10.5	8.89
8-215570-0	1-215570-0	10	16.2	13.0	11.43
8-215570-2	1-215570-2	12	18.7	15.6	13.97
8-215570-4	1-215570-4	14	21.3	18.1	16.51
8-215570-6	1-215570-6	16	23.8	20.7	19.05
8-215570-8	1-215570-8	18	26.3	23.2	21.59
9-215570-0	2-215570-0	20	28.9	25.7	24.13
9-215570-4	2-215570-4	24	34.0	30.8	29.21



NOTE:
1.10 POSITIONS AS SHOWN

Item no.	Description	Material	Finish
3	PADDLEBOARD HOUSING	G.F. POLYESTER (RED)	-
2	CONTACT	PHOSFOR BRONZE	TIN
1	COVER	G.F. POLYESTER (RED)	-

THIS DRAWING IS A CONTROLLED DOCUMENT FOR Tyco Electronics Nederland B.V. IT IS SUBJECT TO CHANGE AND THE CONTROLLING ENGINEERING ORGANIZATION SHOULD BE CONTACTED FOR THE LATEST REVISION.

DWN	M.GOSSELINK	AMP Tyco Electronics Nederland B.V. 'S-HERTOGENBOSCH, THE NETHERLANDS	
CHK	M.GOSSELINK		
APVD	ELEIJTENS		
PRODUCT SPEC	108-19052		
APPLICATION SPEC	114-19016	NAME	MICROMATCH PADDLE BOARD CONNECTOR
WEIGHT	-	SIZE	A3
		CAGE CODE	00779
		DRAWING NO	C-215570
CUSTOMER DRAWING			SCALE 5:1 SHEET 1 OF 1 REV R

