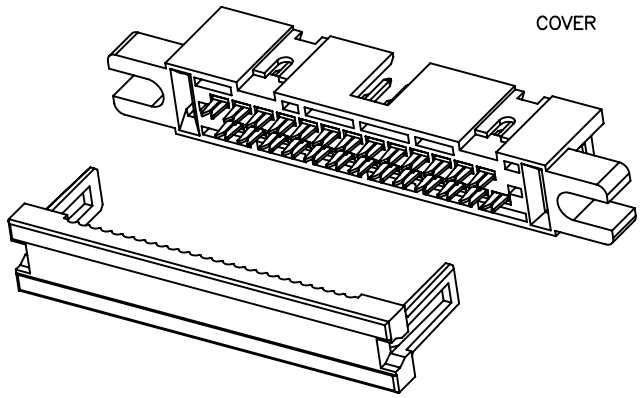
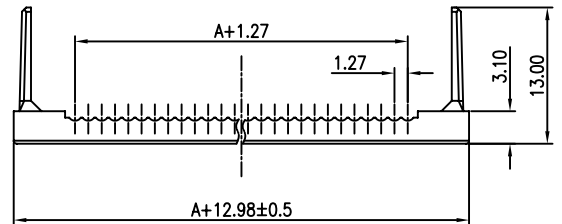
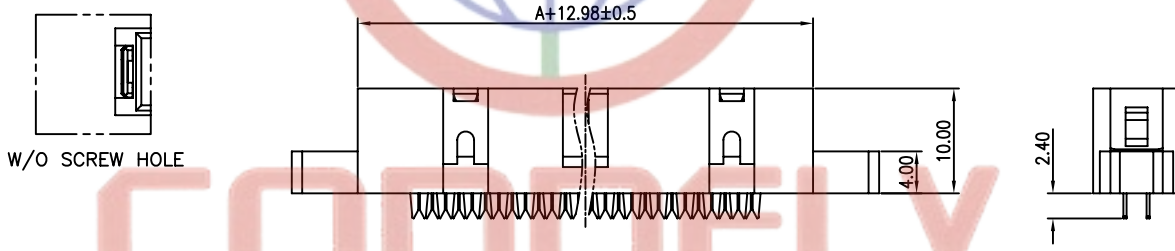
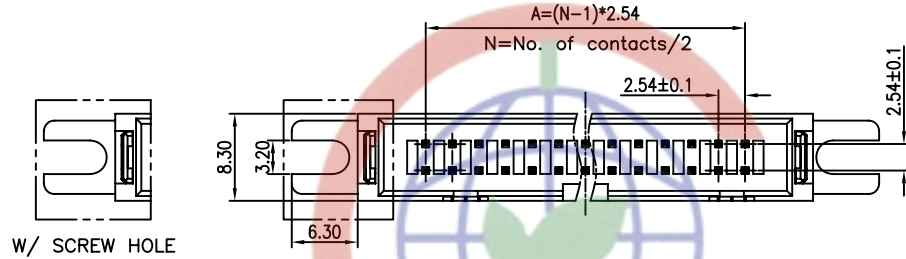


REV.	DESCRIPTION	DRAWN	CHECKED	APPROVED
A	NEW RELEASE	LL 09/11/06'		



- NOTES:
- MATERIAL
 - INSULATOR:THERMOPLASTIC(UL 94V-0).
 - CONTACT: COPPER ALLOY.
 - SPECIFICATION
 - STORAGE TEMPERATURE:-20-70°C.
 - OPERATING TEMPERATURE:0-85°C.
 - CONTACT RESISTANCE:20mΩ max.
 - INSULATION RESISTANCE:1000MΩ min.
 - DIELECTRIC WITHSTANDING VOLTAGE:AC 500V PER MINUTE.
 - PART NUMBER: DS1015
 - PRODUCT NUMBER CODE:

DS1015-	X	X	X	X	X
	HOUSING COLOR	CONTACT PLATING	STRAIN RELIEF	SCREW HOLE	No. OF CONTACTS
	A:GRAY B:Black	0: SELECTIVE GOLD FLASH	M:W/ N:W/O	M:W/ N:W/O	10 14 16 20 24 26 30 34 40 50 60 64
					SERIES No. DS1015

Tel:86-574-63508787
 Fax:86-574-63510817
 E-mail:sale@zhenqin.com.cn
 Http://www.connfly.com

GENERAL TOLERANCE		ANGLE TOLERANCE		PROJECTION	TITLE	IDC SHROUDED HEADER	
X.	±0.60	X.	±5°	UNITS		mm	MATES WITH PITCH 1.27mm FLAT CABLE
.X	±0.38	.X	±3°	SHEET SIZE	A4	SERIES	DS1015 SERIES
.XX	±0.25	.XX	±2°				
DRAWING TYPE		CUSTOMER					
SCALE		1:1	SHEET	1 OF 1			
DRAWING NO.		C-DS1015-XXXXX					

晨翔电子有限公司
CONNFLY CONNFLY ELECTRONIC CO. LTD