

REV.	DESCRIPTION	DRAWN	CHECKED	APPROVED
A	NEW RELEASE	LL 07/02/06'		

NOTES:

- ELECTRICAL CHARACTERISTICS:
 - CONTACT RESISTANCE: 20mΩ Max.
 - DIELECTRIC WITHSTANDING VOLTAGE: 500V AC(rms) FOR 1 MINUTE.
 - INSULATION RESISTANCE: 1000MΩ Min.
- ENVIRONMENT CHARACTERISTICS:
 - OPERATING TEMPERATURE: -40°C~+105°C.

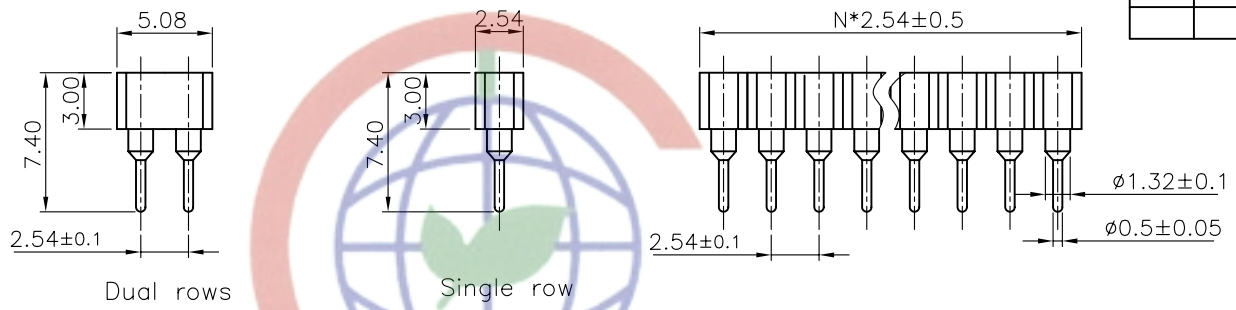
3. PRODUCT NUMBER CODE:

DS1002-01 - X X X X

- Clip plating
 - Tin 150u"
 - Tin 200u"
 - G/F
 - Gold 3u"
 - Gold 10u"
 - Gold 15u"
- Pin plating
 - Tin 150u"
 - Tin 200u"
 - G/F
 - Gold 3u"
 - Gold 10u"
 - Gold 15u"

- Mounting type
 - V: V/T TYPE
 - R: R/A TYPE
 - S: SMT TYPE

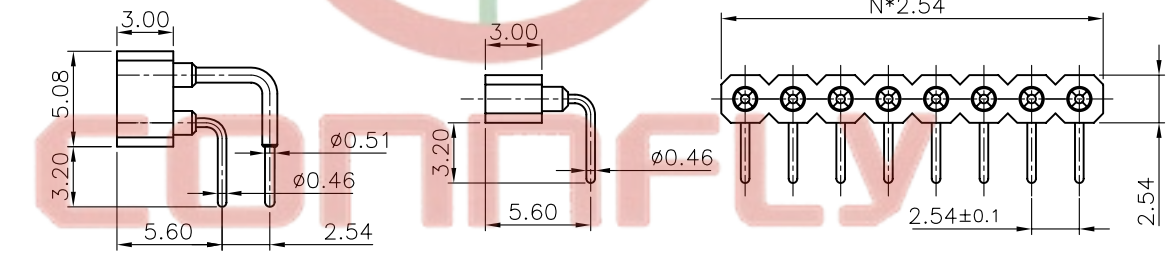
- No. of contacts
 - 1*1 - 1*64
 - 2*1 - 2*40



Dual rows

Single row

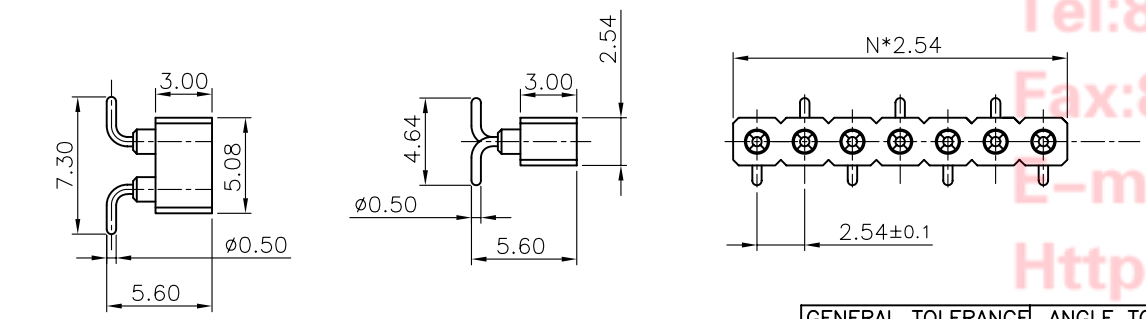
V/T TYPE



Dual rows

Single row

R/A TYPE



Dual rows

Single row

SMT TYPE

N: No. of contacts

GENERAL TOLERANCE		ANGLE TOLERANCE	
X.	±0.60	X.	±5°
.X	±0.38	.X	±3°
.XX	±0.25	.XX	±2°

PROJECTION	TITLE
mm	IC SOCKET R/A & V/T & SMT
A4	PITCH 2.54mm
SERIES	DS1002-01 SERIES

DRAWING TYPE	CUSTOMER
SCALE	1:1 SHEET 10F1
DRAWING NO.	C-DS1002-01-XXXX



晨翔电子有限公司

CONNFLY CONNFLY ELECTRONIC CO. LTD

Tel:86-574-63508787
 Fax:86-574-63510817
 E-mail:sale@zhenqin.com.cn
 Http://www.connfly.com