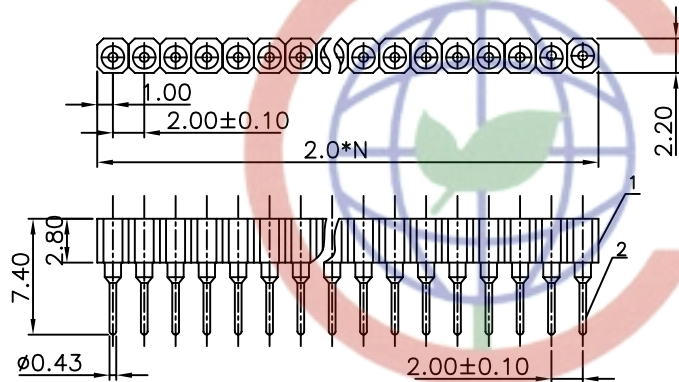
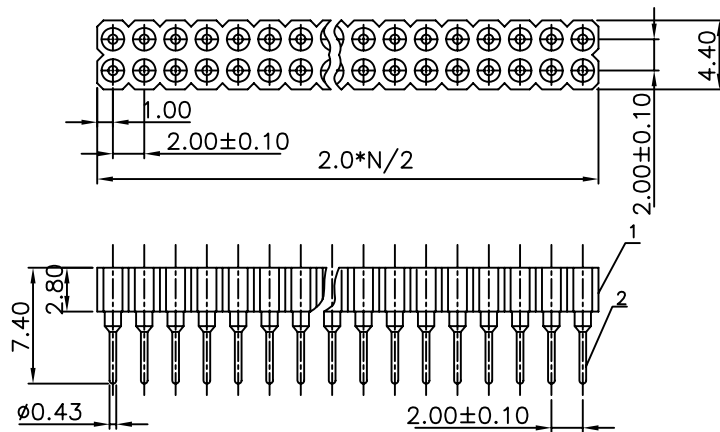


REV.	DESCRIPTION	DRAWN	CHECKED	APPROVED
A	NEW RELEASE	LJH 04/27/05'		

SINGLE ROW
N:NUMBER OF CONTACTS

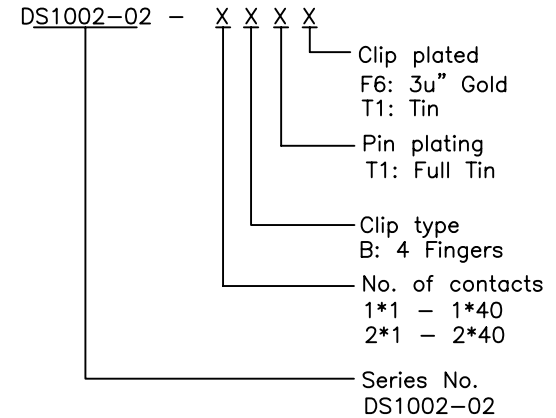


DUAL ROWS
N:NUMBER OF CONTACTS



NOTES:

- ELECTRICAL CHARACTERISTICS:
 - CONTACT RESISTANCE: 20 MILLIOHMS Max.
 - DIELECTRIC WITHSTANDING VOLTAGE: 500V AC(rms) FOR 1 MINUTE.
 - INSULATION RESISTANCE: 1000 MEGAOHMS Min.
- ENVIRONMENT CHARACTERISTICS:
 - TEMPERATURE: -40°C~+105°C.
- PART NUMBER: DS1002-02
- PRODUCT NUMBER CODE:



Tel:86-574-63508787

Fax:86-574-63510817

E-mail:sale@zhenqin.com.cn

Http://www.connfly.com

Add:East Industry Zone Kuang Yan

晨翔电子有限公司

CONNFLY CONNFLY ELECTRONIC CO. LTD

GENERAL TOLERANCE	ANGLE TOLERANCE	PROJECTION	TITLE
X. ±0.60	X. ±5°		SIP IC SOCKET(SCREW PIN) PITCH2.00mm
.X ±0.38	.X ±3°	mm	
.XX ±0.25	.XX ±2°	A4	SERIES DS1002-02 SERIES

2	CONTACT		COPPER ALLOY	GOLD PLATED	DRAWING TYPE	CUSTOMER		
1	HOUSING		THERMOPLASTIC	UL 94 V-0	SCALE	1:1	SHEET	1 OF 1
ITEM	PART NAME	PART NO.	MATERILAS	FINISHED	DRAWING NO.	C-DS1002-02-XXXX		

