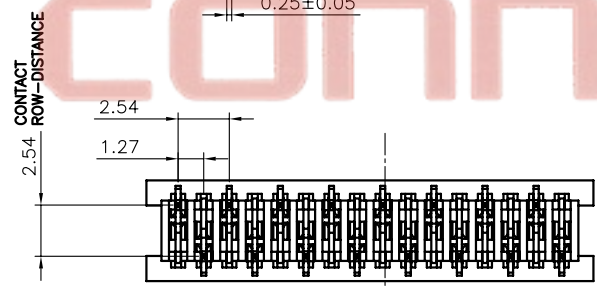
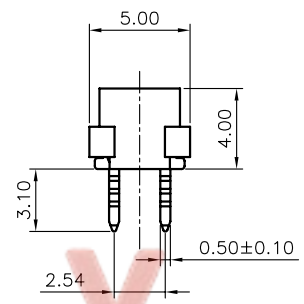
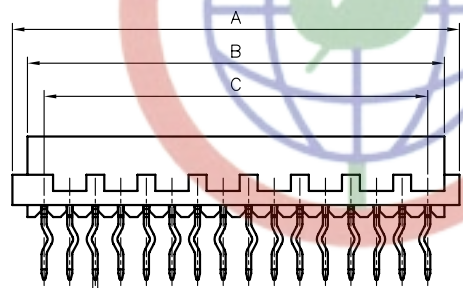
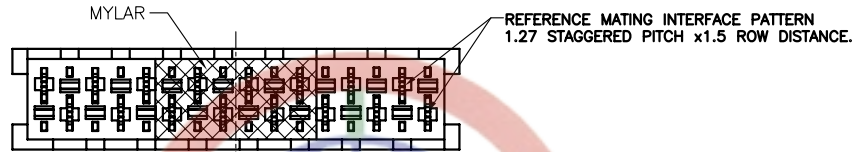


REV.	DESCRIPTION	DRAWN	CHECKED	APPROVED
A	NEW RELEASE	DGQ 06/14/11'		



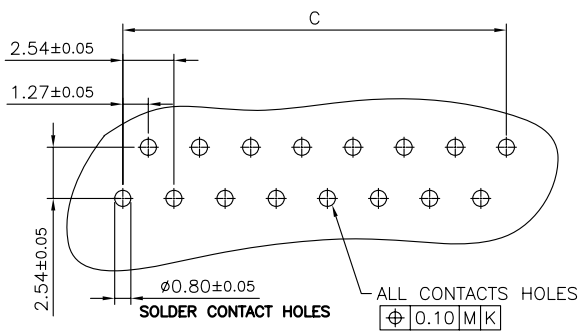
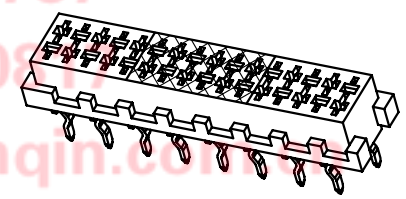
POSITIONS	DIM A	DIM B	DIM C
4	6.96	5.46	3.81
6	9.50	8.00	6.35
8	12.04	10.54	8.89
10	14.58	13.08	11.43
12	17.12	15.62	13.97
14	19.66	18.16	16.51
16	22.20	20.70	19.05
18	24.74	23.24	21.59
20	27.28	25.78	24.13
22	29.82	28.32	26.67
24	32.36	30.86	29.21

NOTES:

- MATERIAL
  - INSULATOR:THERMOPLASTIC(UL 94V-0).
  - CONTACT: 0.25t COPPER ALLOY.
- SPECIFICATION
  - TEMPERATURE RANGE:-40°C~+105°C.
  - CONTACT RESISTANCE:30mΩ max.
  - INSULATION RESISTANCE:1000MΩ min.
  - DIELECTRIC WITHSTANDING VOLTAGE:AC 500V PER MINUTE.

3. PRODUCT NUMBER CODE:  
DS1015-04 - X X X X

- PACKING TYPE  
T: TRAY
- MYLAR SUPPORT  
X: W/O MYLAR
- CONTACT PLATING  
6: FULL MATT TIN
- HOUSING COLOR  
R: RED
- No. OF CONTACTS  
04 06 08 10 12 14  
16 18 20 22 24



GENERAL TOLERANCE	ANGLE TOLERANCE	PROJECTION	TITLE
X. ±0.60	X. ±5°	mm	MICRO MATCH FEMALE VERTICAL THROUGH HOLE TYPE
.X ±0.38	.X ±3°	A4	SHEET SIZE
.XX ±0.25	.XX ±2°		SERIES DS1015-04 SERIES
DRAWING TYPE	CUSTOMER	<b>晨翔电子有限公司</b> <b>CONNFLY CONNFLY ELECTRONIC CO. LTD</b>	
SCALE	1:1 SHEET 1 OF 1		
DRAWING NO.	C-DS1015-04-XXXX-A		