

PRODUCT NUMBER
76357-YXX

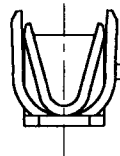
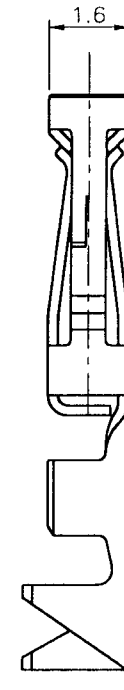
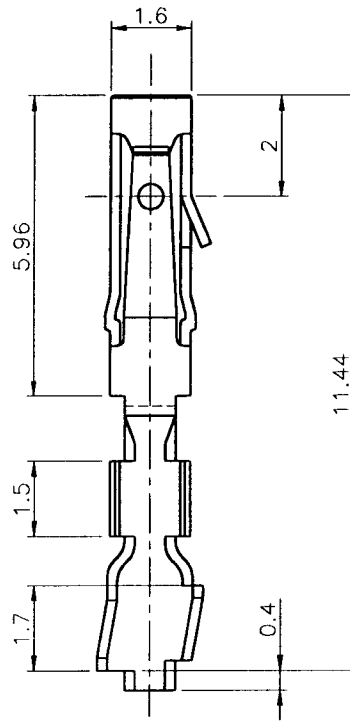
01: AWG 22-30
11: AWG 20

PLATING CODE

3= 0.76µm GOLD ON CONTACT AREA.
3.81µm TIN-LEAD ON TAIL.
4= 5µm TIN-LEAD ON CONTACT AREA.
3.81µm TIN-LEAD ON TAIL.

NOTES:

- 1 - TERMINAL MATERIAL: PHOSPHOR BRONZE.
- 2 - PRODUCT PACKED IN PLASTIC BOX (1000/BOX).



WIRE DIMENSION	
AWG	OUTSIDE INSULATION DIA.
20	1.30-1.65
22-30	0.90-1.50

mat'l code				tolerances unless otherwise specified		CUSTOMER COPY		ELECTRONICS www.fciconnect.com	
ltr	ecn no	dr	date	linear	angles	projection	title		
D	10759	-	88.04.05				CtW CONTACT LOOSE PIECE		
E	F00155	DLE	00.03.16			product family DUBOX			code
F	F10103	GCO	01.01.02	dr	D LEGRAND	00.03.16	size	dwg no	76357
				engr	P NIZZI	00.03.16	scale		1 of 1
				chr	JF NOTTEAU	00.03.16	10:1		
				appd	PNZ	00.03.16			
sheet index	revision sheet	F	1						