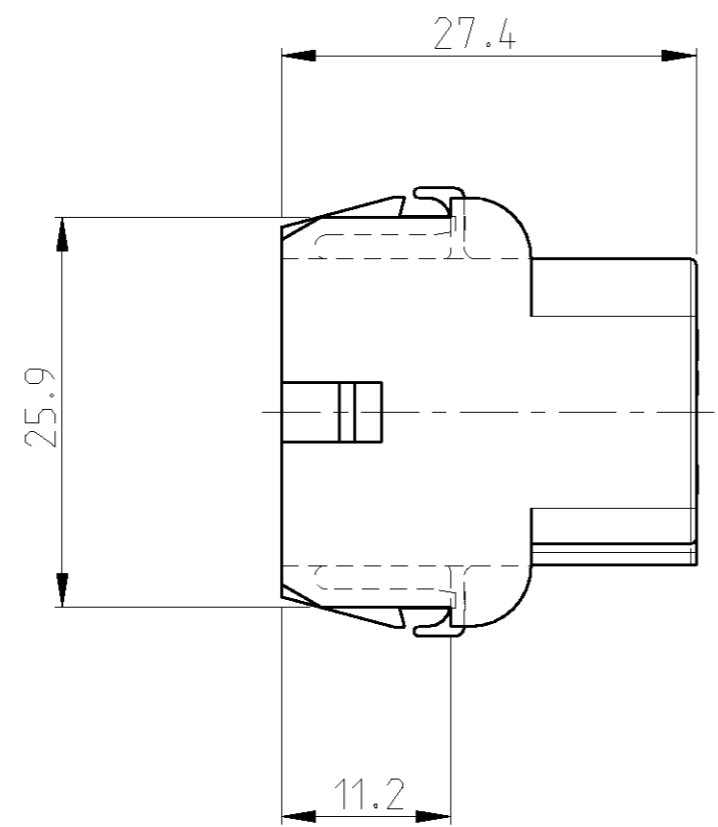
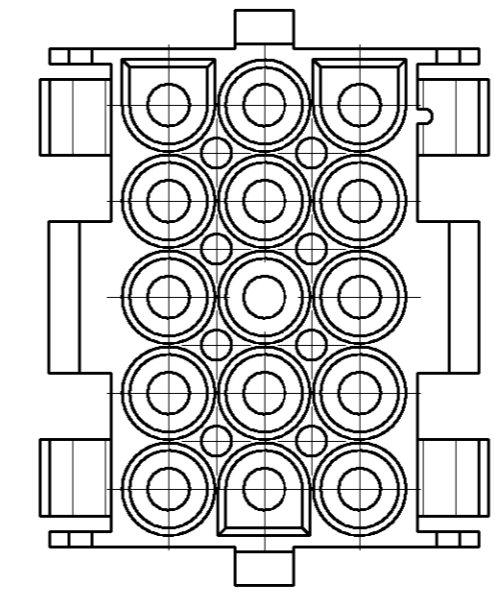
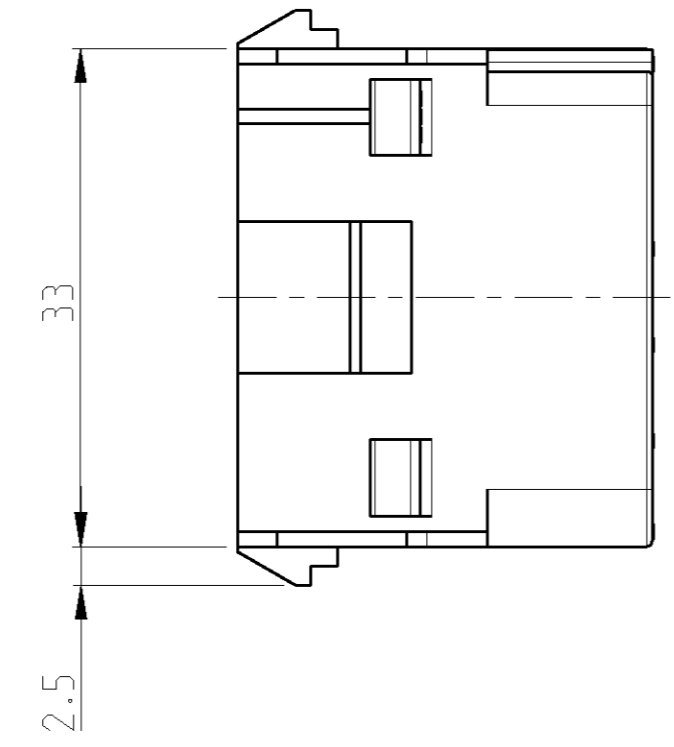
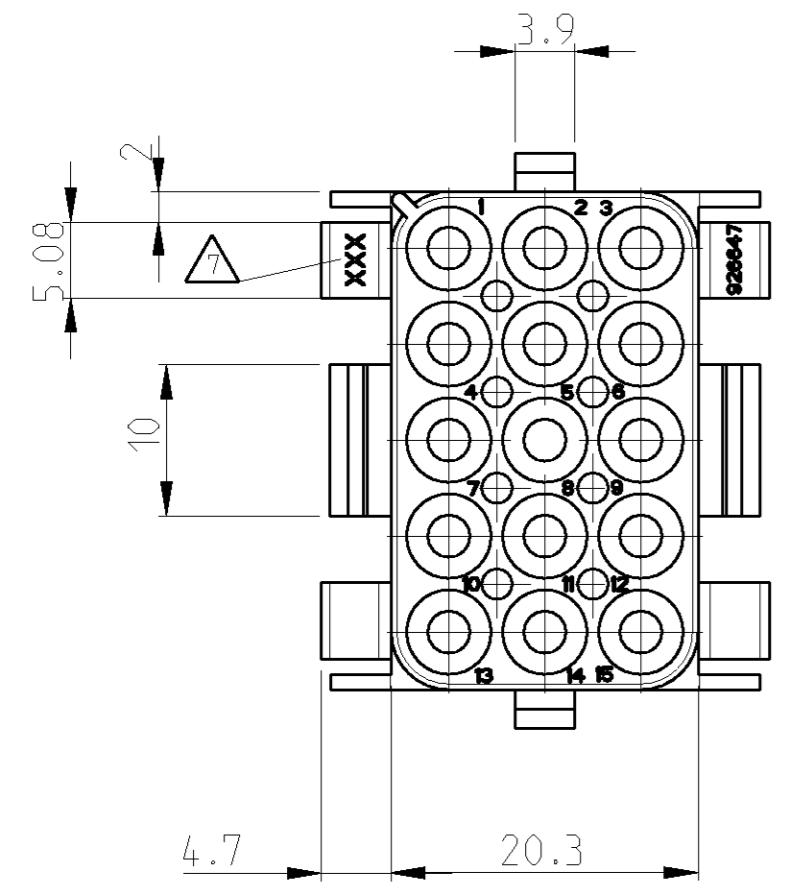
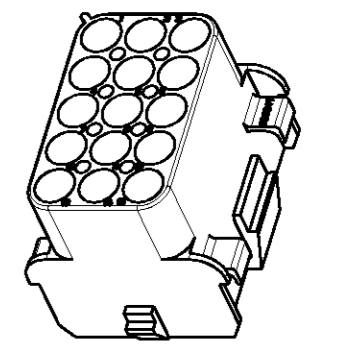
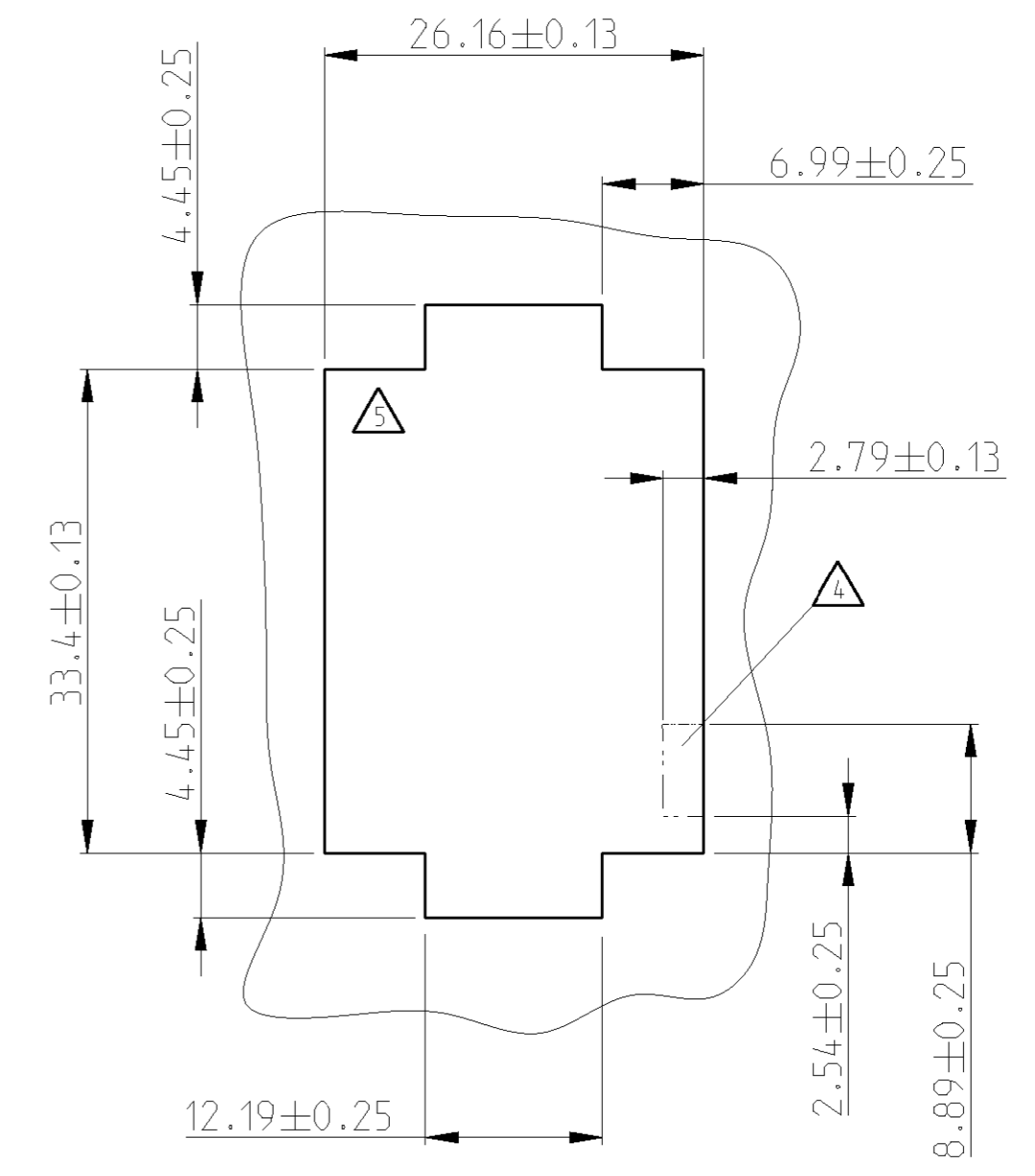


THIS DRAWING IS UNPUBLISHED. RELEASED FOR PUBLICATION 2003
 © COPYRIGHT 2003 BY TYCO ELECTRONICS CORPORATION. ALL RIGHTS RESERVED.

LOC		DIST		REVISIONS			
P	LTR	DESCRIPTION	DATE	DWN	APVD		
A1	-						
	D1	NEW CAD-DRAWING CREATED	12MAY2003	Abr	H.K.		
	D2	PN 926647-5, -6 AND -7 OBSOLETE	14APR2004	Abr	H.K.		
	D3	PN 926647-8 ADDED	26OCT2007	W.H.	W.H.		
	D4	Materialanpassung 926 647-4	02NOV2007	W.H.	W.H.		



Montageausschnitt/PANEL CUT OUT
 Bestückungsseite/LOADING SIDE



1:1

- Bemerkungen
 NOTES
- Geeignet für UMNL Stift- und Buchsenkontakte
 BEEN SUITABLE FOR UMNL PIN- AND SOCKET CONTACTS
 - Empfohlene Blechstärke 0.75 - 2.3 mm
 RECOMMEND SHEET METAL THICKNESS 0.75 - 2.3 mm
 - Gehäuse muß in Stanzrichtung eingeführt werden
 HOUSING MUST BE INTRODUCED TO PUNCHING DIRECTION
 - Für verschlüsseltes Einsetzen der Gehäuse
 FOR CODED USING OF THE HOUSINGS
 - Position von Kammer 1 bei verschlüsseltem Einsetzen
 POSITION OF CAVITY 1 FOR CODED USING
 - Neues Material (Phosphor und Halogen frei)
 NEW MATERIAL (PHOSPHORUS AND HALOGENOUS FREE)
 - Hersteller-Logo und Ländercode
 nach AMP-Spez. 115-18016
 BRANDNAME AND MANUFACTURING LOCATION CODE
 ACCORDING SPEC. 115-18016
 - Nur für italienische Produktion
 ITALIAN PRODUCTION ONLY
 - Glühdrahtprüfung 750 ° /ohne Flamme) nach IEC 60335-1 Ausgabe 06/2001
 GWT 750 ° (WITHOUT FLAME) ACC. 60335-1 EDITION 06/2001
 - Schüttgut in Beutel und Versandkarton PN 973 057-2
 BULK PACKAGING IN PLASTIC BAG AND CORRUGATED SHIPPING BOX PN 973 057-2

	926647-8	9	D	PA6 UL 94 V-0	natur / NATURAL
OBSOLETE	926647-7	8	A	PA6.6 UL94 V-2	schwarz/BLACK
OBSOLETE	926647-6	8	A	PA6.6 UL94 V-2	grün/GREEN
OBSOLETE	926647-5	8	A	PA6.6 UL94 V-2	rot/RED
	926647-4		A	PA6.6 UL94 V-0 ZYTEL FR 7026	natur / NATURAL
	926647-3		D	PA6.6 UL94 V-0	9 natur/NATURAL
	926647-2		A	PA6.6 UL94 V-0	6 schwarz/BLACK
	926647-1		A	PA6.6 UL94 V-2 ZYTEL E101	natur/NATURAL
PART NO.	REV.			MATERIAL	COLOR

THIS DRAWING IS A CONTROLLED DOCUMENT FOR TYCO ELECTRONICS CORPORATION
 IT IS SUBJECT TO CHANGE AND THE CONTROLLING ENGINEERING ORGANIZATION
 SHOULD BE CONTACTED FOR THE LATEST REVISION.

DIMENSIONS: mm	TOLERANCES UNLESS OTHERWISE SPECIFIED: 0 PLC ± 1 PLC ± 2 PLC ±0.2 3 PLC ± 4 PLC ± ANGLES ±	DWN Abraham.G. 12MAY03 CHK Kampmann.H. 13MAY03 APVD Bleicher.M. 14APR2004	Tyco Electronics tyco Electronics AMP GmbH D - 64625 Bensheim
MATERIAL see table	FINISH see table	PRODUCT SPEC 108-1031 APPLICATION SPEC 114-18011 WEIGHT 11.5 g	NAME 15-pol. UMNL Aufnahmegehäuse UMNL 15-WAY CAP HOUSING
		SIZE A2	RESTRICTED TO
		CAGE CODE 00779	
		DRAWING NO. 926647	
		SCALE 2:1	SHEET 1 OF 1
		CUSTOMER DRAWING	REV D4