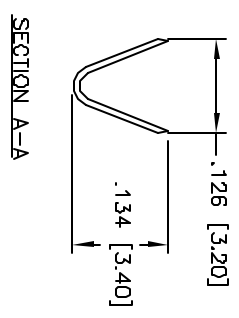
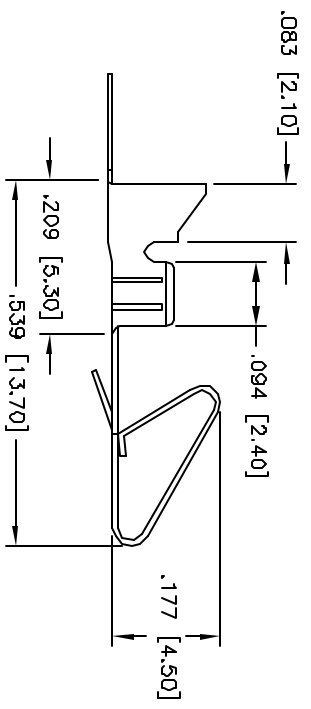
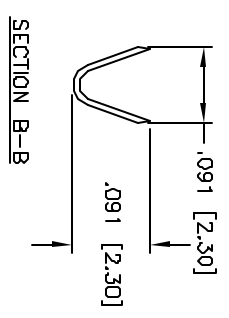
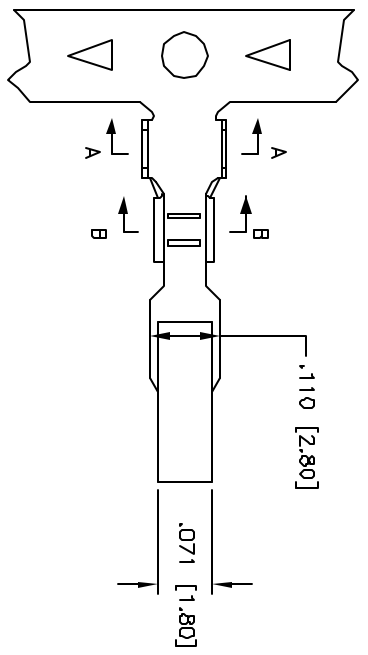


Rev	AWO #	Description	Date	Appr
-		RELEASED	4/12/05	

APPROVED: _____
 DATE: _____ TITLE: _____



Packaging:
 B = 1,000 pieces loose cut
 R = 6,000 pieces on reel

SPECIFICATIONS:
 Material:
 Contact: Brass
 Plating:
 Tin over Copper underplate overall
 Electrical:
 Wire range: 18-24 AWG
 Current rating: 5 Amps max
 Contact resistance: 10 mohms max
 Dielectric withstanding voltage: 1,500 VAC for 1 minute
 Temperature Rating:
 Operating temperature: -25°C to +85°C
 Environmental:
 Lead free, RoHS compliant



UNLESS OTHERWISE SPECIFIED ALL DIMENSIONS ARE NICHES [MM] TOLERANCES: EXCEPT AS NOTED		TITLE	
INCHES X .10 XX ± .020 XXX ± .015		CRIMP CONTACT	
APPROVALS		DATE	
DRAWN	SS	4/12/05	
CHECKED			
APPROVED			
SIZE PART NO.		REV.	
X MTR-CX		-	
SCALE: NIB		SHEET 1 OF 1	

ADAM TECH
 909 Rahway Avenue, Union, NJ 07083
 Phone: 908-887-5000 Fax: 908-887-5710