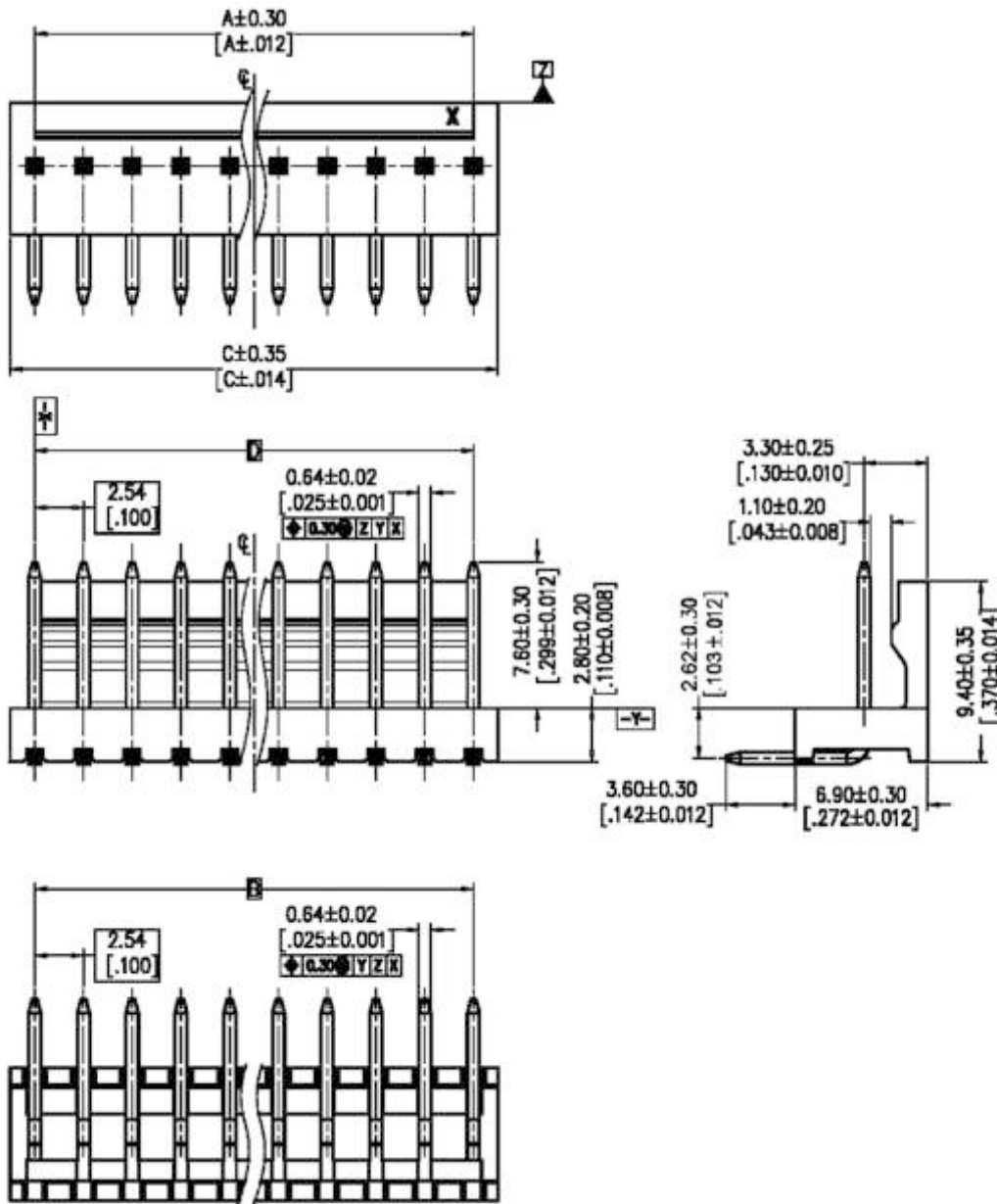


MAS-CON HEADER, Series 100, 2,54mm, 90° unbreakable, with locking, with polarization

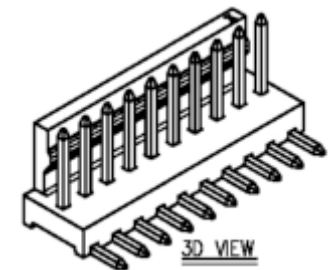


ORDERING INFORMATION				
Part No.	DIM A	DIM B	DIM C	DIM D
MUAS100- 02- D_E	2,54	2,54	5,08	2,54
MUAS100- 03- D_E	5,08	5,08	7,62	5,08
MUAS100- 04- D_E	7,62	7,62	10,16	7,62
MUAS100- 05- D_E	10,16	10,16	12,70	10,16
MUAS100- 06- C_E	12,70	12,70	15,24	12,70
MUAS100- 07- C_E	15,24	15,24	17,78	15,24
MUAS100- 08- C_E	17,78	17,78	20,32	17,78
MUAS100- 09- C_E	20,32	20,32	22,86	20,32
MUAS100- 10- C_E	22,86	22,86	25,40	22,86
MUAS100- 11- C_E	25,40	25,40	27,94	25,40
MUAS100- 12- C_E	27,94	27,94	30,48	27,94
MUAS100- 13- C_E	30,48	30,48	33,02	30,48
MUAS100- 14- C_E	33,02	33,02	35,56	33,02
MUAS100- 15- C_E	35,56	35,56	38,10	35,56
MUAS100- 16- C_E	38,10	38,10	40,64	38,10
MUAS100- 17- C_E	40,64	40,64	43,18	40,64
MUAS100- 18- C_E	43,18	43,18	45,72	43,18
MUAS100- 19- C_E	45,72	45,72	48,26	45,72
MUAS100- 20- C_E	48,26	48,26	50,80	48,26
MUAS100- 21- C_E	50,80	50,80	53,34	50,80
MUAS100- 22- C_E	53,34	53,34	55,88	53,34
MUAS100- 23- C_E	55,88	55,88	58,42	55,88
MUAS100- 24- C_E	58,42	58,42	60,96	58,42
MUAS100- 25- C_E	60,96	60,96	63,50	60,96
MUAS100- 26- C_E	63,50	63,50	66,04	63,50
MUAS100- 27- C_E	66,04	66,04	68,58	66,04
MUAS100- 28- C_E	68,58	68,58	71,12	68,58
MUAS100- 29- C_E	71,12	71,12	73,66	71,12
MUAS100- 30- C_E	73,66	73,66	76,20	73,66
MUAS100- 31- C_E	76,20	76,20	78,74	76,20
MUAS100- 32- C_E	78,74	78,74	81,28	78,74
MUAS100- 33- C_E	81,28	81,28	83,82	81,28
MUAS100- 34- C_E	83,82	83,82	86,36	83,82
MUAS100- 35- C_E	86,36	86,36	88,90	86,36
MUAS100- 36- C_E	88,90	88,90	91,44	88,90

NOTES:
 Current Rating: 3.0AMP
 Contact Resistance: 20m Ω Max
 Withstand Voltage: 1000V AC/minute
 Insulation Resistance: 1000M Ω Min
 Operation Temperature: -40°C to +105°C

Contact Material: Brass
 Contact plating: Au Or Sn Over Ni
 Insulator Material: PA66 (UL94V-0)

OPERATION	
X.X	± 0.40
X.XX	± 0.25
X.XXX	± 0.15
Angle	$\pm 3^\circ$
DIM	TOL



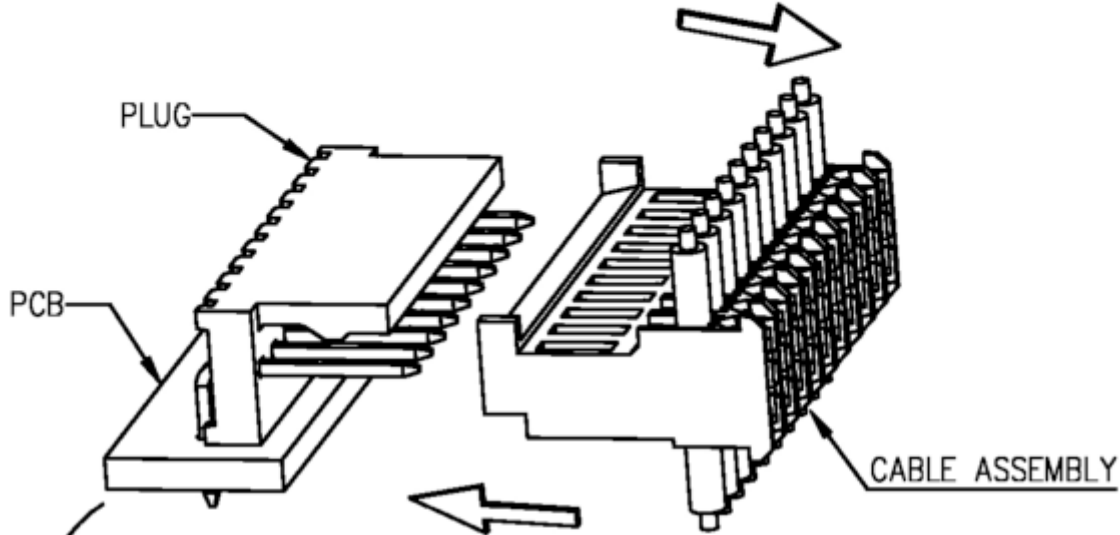
Sheet 1 of 2

REV	DATE	NOTE	NAME
2	21.01.2020	comp. revised	LAD
1	26.11.2019	issued	LAD

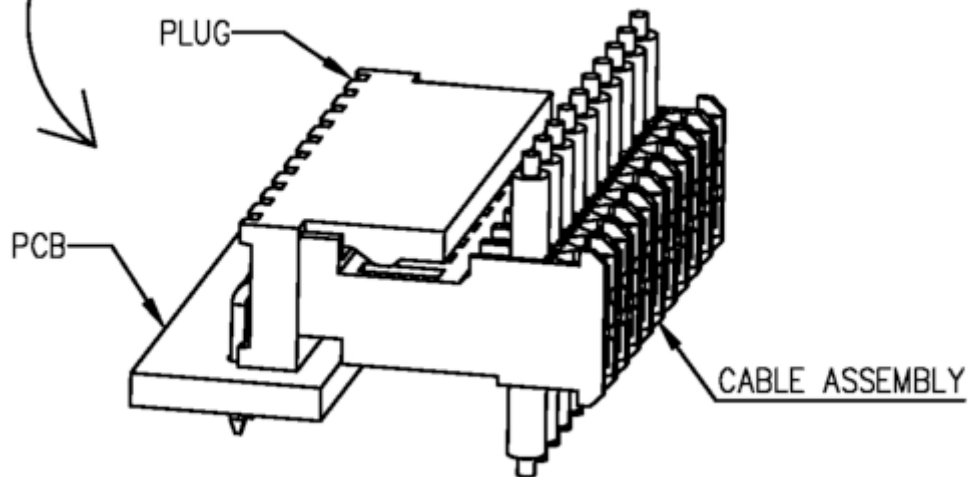
MAS-CON HEADER, Series 100, 2,54mm, 90° unbreakable, with locking, with polarization

DYNAMIC USE HINT:

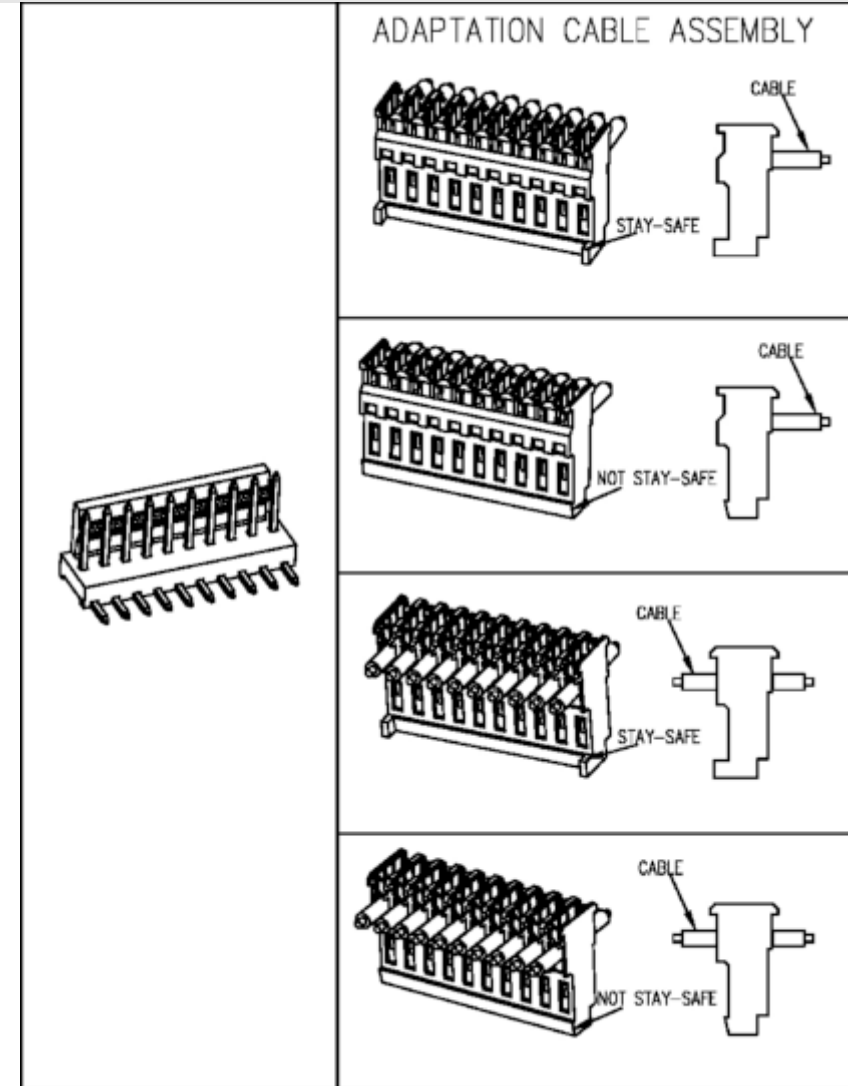
PULL OUT DIRECTION



ASSEMBLY DIRECTION



ASSEMBLY COMPLETION STATUS



Sheet 2 of 2

REV	DATE	NOTE	NAME
2	21.01.2020	comp. revised	LAD
1	26.11.2019	issued	LAD