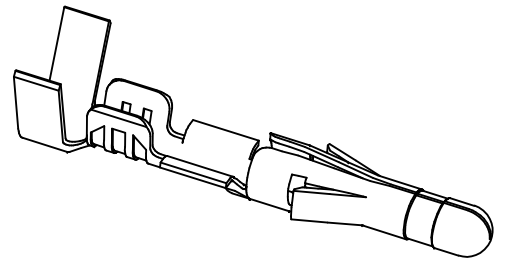
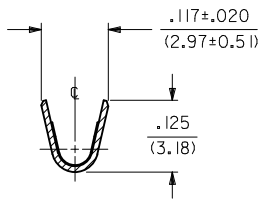
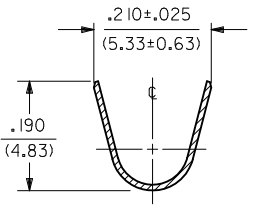
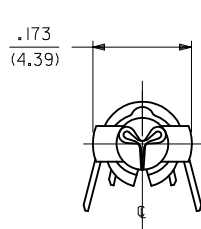
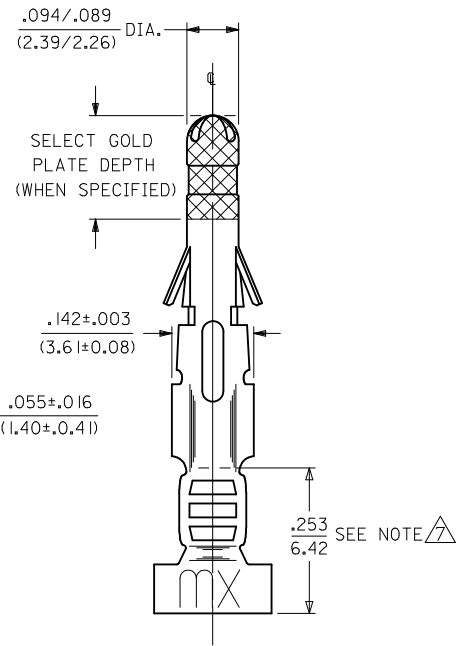
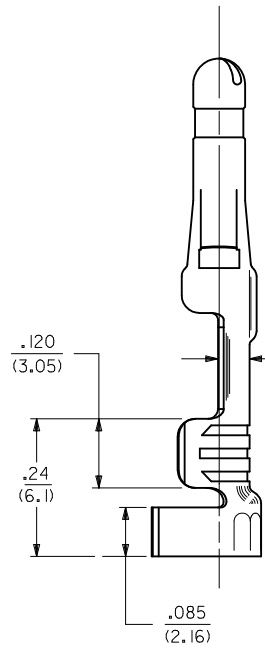
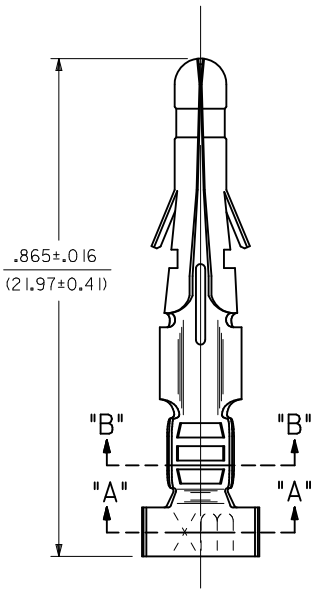


PART NO.	ENG. NO.
02-09-2103	1190-(P901)L
02-09-2101	1190-(P901)
02-09-6110	1190-(591)L
02-09-6101	1190-(591)
02-09-6106	1190-(550)L
02-09-6100	1190-(550)



SECT. "A-A"

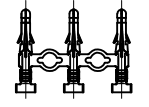
SECT. "B-B"



- NOTES:
- MATERIAL:
CARTRIDGE BRASS
 - FINISH CODES:
901 HOT TIN DIP .000020/(0.00051) MIN.
591 SELECT GOLD PLATE .000050/(0.00127) MIN. IN CONTACT AREA,
OVER .000050/(0.00127) MIN. NICKEL OVERALL
WITH .000010/(0.00025) MAX. GOLD FLASH OVERALL.
550 SELECT GOLD PLATE .000015/(0.00038) MIN. IN CONTACT AREA,
OVER .000030/(0.00076) MIN. NICKEL OVERALL
WITH .000010/(0.00025) MAX. GOLD FLASH OVERALL.
 - PRODUCT SPECIFICATION: PS-43660-9999
 - PACKAGING SPECIFICATION: PK-1190-001
 - INSERTION FORCE: 5.0 LBS. MAX. WHEN TERMINAL IS INSERTED INTO .093 SERIES HOUSING.
 - RETENTION: 20 LBS. MIN. FROM HOUSING.
 - DIMENSION FROM THE END OF THE TERMINAL TO THE END OF THE BRUSH ON THE WIRE CRIMPED INTO THE TERMINAL.
 - TERMINAL FOR USE WITH .093/(2.36) SERIES HOUSINGS AND WILL ACCEPT 14 THRU 20 AWG WIRE.

LEGEND

1190-(****)*
 P=PREPLATE
 BLANK=POSTPLATE
 FORM
 BLANK=CHAIN
 L=LOOSE
 FINISH CODE



CHAIN FORM FULL SCALE

REVISE NOTE 5 DEC NO: UCP2010-3269 DRW: AELHAG CHKD: JELL APPR: FSMITH 2010/06/23 2010/06/23 2010/06/29	QUALITY SYMBOLS = 0 = 0	GENERAL TOLERANCES (UNLESS SPECIFIED)		DIMENSION STYLE IN/MM		SCALE 6:1	DESIGN UNITS INCH	THIRD ANGLE PROJECTION	
		4 PLACES ± --- ± ---	3 PLACES ± --- ± .010	DRAWN BY AELHAG	DATE 2010/06/23	TITLE CRIMP TERMINAL, MALE .093/(2.36) DIA. FOR 14 THRU 20 AWG. WIRE			
		2 PLACES ± 0.25 ± .014	1 PLACE ± 0.13 ± ---	CHECKED BY JBELL	DATE 2010/06/23	MOLEX INCORPORATED			
		ANGULAR ± 1/2°		APPROVED BY FSMITH	DATE 2010/06/29	MATERIAL NO. SEE CHART		DOCUMENT NO. SD-1190-*	SHEET NO. 1 OF 1
DRAFT WHERE APPLICABLE MUST REMAIN WITHIN DIMENSIONS		SIZE 		THIS DRAWING CONTAINS INFORMATION THAT IS PROPRIETARY TO MOLEX INCORPORATED AND SHOULD NOT BE USED WITHOUT WRITTEN PERMISSION					