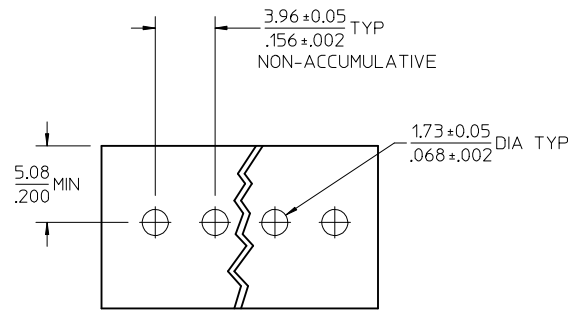


- NOTES:
- MATERIAL: HOUSING: NYLON, UL94V-2, IEC 60335-1 5TH EDITION GLOW WIRE CAPABLE, COLOR: BLACK  
PINS: BRASS
  - FINISH:  
 (197-TIN) = OVERALL REFLOWED MATTE TIN: 0.00152/.000060 MIN. OVER 0.00127/.000050 MIN. NICKEL OVERALL.  
 (208) = SELECT GOLD: 0.00038/.000015 MIN, SELECT MATTE TIN: 0.00254/.000100 MIN, BOTH OVER 0.00127/.000050 MIN NICKEL.  
 (228) = SELECT GOLD: 0.00076/.000030 MIN, SELECT MATTE TIN: 0.00254/.000100 MIN, BOTH OVER 0.00127/.000050 MIN NICKEL.
  - PRODUCT SPECIFICATION: PS-171813-0001, PS-171813-0002
  - PACKAGING INFORMATION: SEE CHARTS.
  - SOLDERABILITY: PER SMES-152.
  - PIN PUSH-OUT FORCE: PRIOR TO SOLDERING, A 3 LB. MINIMUM FORCE IN EITHER DIRECTION
  - PARTS ARE STACKABLE END TO END ON 3.96/.156 CENTERS.
  - THIS PART CONFORMS TO CLASS B REQUIREMENTS OF COSMETIC SPECIFICATION PS-45499-002.
  - SLOTS ON BACKWALL ARE BETWEEN CIRCUITS. SEE CHART FOR LOCATION.
  - FEATURE MAY OR MAY NOT EXTEND ACROSS THE ENTIRE FACE OF THE PART. SEE DETAIL Z.
  - CIRCUIT 1 DESIGNATION IS USED TO DEFINE VOID LOCATION. CIRCUIT 1 MAY OR MAY NOT LINE UP WITH CIRCUIT 1 ON THE MATING HOUSING.



CIRCUIT SIZE	DIM. A	DIM. B	SLOT LOCATION BETWEEN CIRCUITS
2	7.77 .306	3.96±0.05 .156±.002	NONE
3	11.73 .462	7.92±0.10 .312±.004	NONE
4	15.70 .618	11.89±0.15 .468±.006	NONE
5	19.66 .774	15.85±0.15 .624±.006	NONE
6	23.62 .930	19.81±0.18 .780±.007	3 & 4
7	27.58 1.086	23.77±0.18 .936±.007	4 & 5
8	31.55 1.242	27.74±0.20 1.092±.008	4 & 5
9	35.51 1.398	31.70±0.20 1.248±.008	5 & 6
10	39.47 1.554	35.66±0.23 1.404±.009	5 & 6
11	43.43 1.710	39.62±0.23 1.560±.009	6 & 7
12	47.40 1.866	43.59±0.25 1.716±.010	4 & 5 8 & 9

<b>ADD PART NUMBERS</b> IEC NO: UCP2014-1995 DRWN:MKIPPER 2013/11/05 CHKD:JBELL 2013/11/06 APPR:FSMITH 2013/11/27	QUALITY SYMBOLS ▽=0 ▽=0 ▽=0	GENERAL TOLERANCES (UNLESS SPECIFIED)		DIMENSION STYLE <b>MM/IN</b>		SCALE <b>4:1</b>	DESIGN UNITS <b>INCH</b>	THIRD ANGLE PROJECTION	
		4 PLACES ± --- ± --- 3 PLACES ± --- ± .010 2 PLACES ± .25 ± .015 1 PLACE ± .38 ± --- 0 PLACE ± ±	mm INCH	DRAWN BY MKIPPER	DATE 2012/09/13	TITLE <b>KK RPC 156 FRICTION LOCK VERTICAL HEADER ASSEMBLY SOLID BODY W/O PEGS</b>			
		ANGULAR ±1/2°	MATERIAL NO. <b>SEE CHART</b>	CHECKED BY SSOUSEK	DATE 2012/09/13	<b>molex</b>			
		DRAFT WHERE APPLICABLE MUST REMAIN WITHIN DIMENSIONS	SIZE <b>C</b>	APPROVED BY FSMITH	DATE 2013/06/11	DOCUMENT NO. <b>SD-171813-0001</b>	SHEET NO. <b>1 OF *</b>		

THIS DRAWING CONTAINS INFORMATION THAT IS PROPRIETARY TO MOLEX INCORPORATED AND SHOULD NOT BE USED WITHOUT WRITTEN PERMISSION

OPTIONS	Group	171813-0002/0012	Group	171813-1002/1012	Group	171813-2002/2012
	Plating:	197 – TIN	Plating:	208 – 15 GOLD	Plating:	228 – 30 GOLD
	Pin Length L	17.02 / .670	Pin Length L	17.02 / .670	Pin Length L	17.02 / .670
	Mating M	11.38 / .448	Mating M	11.38 / .448	Mating M	11.38 / .448
	Gold Loc G	N/A	Gold Loc G	6.10 / .240	Gold Loc G	6.10 / .240
	PC Tail P	2.37 / .092	PC Tail P	2.37 / .092	PC Tail P	2.37 / .092
	Tin Loc T	OVERALL	Tin Loc T	5.08 / .200	Tin Loc T	5.08 / .200
	Voided Ckts	NONE	Voided Ckts	NONE	Voided Ckts	NONE
	Pack Per	PK-41791-001 BULK	Pack Per	PK-41791-001 BULK	Pack Per	PK-41791-001 BULK
Ckts	Material No		Material No		Material No	
2	171813-0002		171813-1002		171813-2002	
3	171813-0003		171813-1003		171813-2003	
4	171813-0004		171813-1004		171813-2004	
5	171813-0005		171813-1005		171813-2005	
6	171813-0006		171813-1006		171813-2006	
7	171813-0007		171813-1007		171813-2007	
8	171813-0008		171813-1008		171813-2008	
9	171813-0009		171813-1009		171813-2009	
10	171813-0010		171813-1010		171813-2010	
11	171813-0011		171813-1011		171813-2011	
12	171813-0012		171813-1012		171813-2012	

<b>A1</b>	REV: <u>ECR/ECN INFORMATION</u>	<b>KK RPC 156 HEADER ASSEMBLY FRICTION LOCK VERTICAL SOLID BODY W/O PEGS</b>	SHEET No.	
	EC NO.: <b>UCP2014-1995</b>		<b>- 2 -</b>	
	DATE: <b>12/2/2013</b>			
<u>DOCUMENT NUMBER:</u> <b>SD-171813-0001</b>		<u>CREATED / REVISED BY:</u> <b>MKIPPER</b>	<u>CHECKED BY:</u> <b>JBELL</b>	<u>APPROVED BY:</u> <b>FSMITH-ROEMER</b>

OPTIONS	Group	171813-0102/0112	Group	171813-1102/1112	Group	
	Plating:	197 – TIN	Plating:	208 – 15 GOLD	Plating:	
	Pin Length L	18.29 / .720	Pin Length L	18.29 / .720	Pin Length L	
	Mating M	11.43 / .450	Mating M	11.43 / .450	Mating M	
	Gold Loc G	N/A	Gold Loc G	6.86 / .270	Gold Loc G	
	PC Tail P	3.56 / .140	PC Tail P	3.56 / .140	PC Tail P	
	Tin Loc T	OVERALL	Tin Loc T	4.06 / .160	Tin Loc T	
	Voided Ckts	NONE	Voided Ckts	NONE	Voided Ckts	
	Pack Per	PK-41791-001 BULK	Pack Per	PK-41791-001 BULK	Pack Per	
Ckts	Material No		Material No		Material No	
2	171813-0102		171813-1102			
3	171813-0103		171813-1103			
4	171813-0104		171813-1104			
5	171813-0105		171813-1105			
6	171813-0106		171813-1106			
7	171813-0107		171813-1107			
8	171813-0108		171813-1108			
9	171813-0109		171813-1109			
10	171813-0110		171813-1110			
11	171813-0111		171813-1111			
12	171813-0112		171813-1112			

<b>A1</b>	REV: <u>ECR/ECN INFORMATION</u>	<b>KK RPC 156 HEADER ASSEMBLY FRICTION LOCK VERTICAL SOLID BODY W/O PEGS</b>	<u>SHEET No.</u> <b>- 3 -</b>
	EC NO.: <b>UCP2014-1995</b>		
	DATE: <b>12/2/2013</b>		
<u>DOCUMENT NUMBER:</u> <b>SD-171813-0001</b>	<u>CREATED / REVISED BY:</u> <b>MKIPPER</b>	<u>CHECKED BY:</u> <b>JBELL</b>	<u>APPROVED BY:</u> <b>FSMITH-ROEMER</b>