

ターミナル  
TERMINAL

回路番号1用マーク  
CKT. NO.1 MARK

ハウジング  
HOUSING

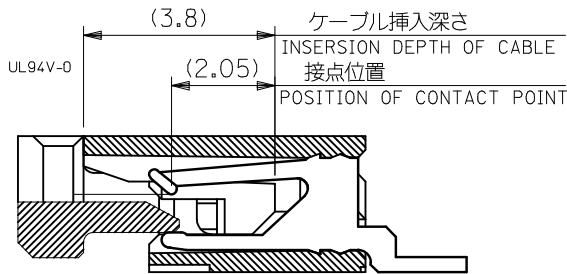
アクチュエータ  
ACTUATOR

金具  
FITTING NAIL

接点部 (上面)  
CONTACT POINT (UPPER SIDE)

注記 (NOTE) :

1. 材質 MATERIAL  
 ハウジング: ポリアミド (PA), ナチュラル (白色), ガラス充填, UL94V-0  
 HOUSING: POLYAMIDE, NATURAL (WHITE), GLASS FILLED, UL94V-0  
 アクチュエータ: ポリフェニレンサルファイド (PPS), ナチュラル (茶色), ガラス充填, UL94-V0  
 ACTUATOR: POLYPHENYLENE SULFIDE, NATURAL (BROWN), GLASS FILLED, UL94V-0  
 ターミナル: リン青銅 (1+0.32)  
 TERMINAL: PHOSPHOR BRONZE (1+0.32)  
 ネイル (補強金具): リン青銅 (1+0.25)  
 FITTING NAIL: PHOSPHOR BRONZE (1+0.25)
2. めっき仕様 PLATING  
 ターミナル TERMINAL  
 鍍銀ビスマスめっき (1.0 μm以上)  
 TIN SILVER BISMUTH PLATING (1.0 MICROMETER MINIMUM)  
 下地: ニッケルめっき (1.0 μm以上)  
 UNDER PLATE: NICKEL PLATING (1.0 MICROMETER MINIMUM)  
 ネイル (補強金具) FITTING NAIL  
 鍍めっき (1.0 μm以上)  
 TIN PLATING (1.0 MICROMETER MINIMUM)  
 下地: ニッケルめっき (1.0 μm以上)  
 UNDER PLATE: NICKEL PLATING (1.0 MICROMETER MINIMUM)
3. CO.3はFPC/FFCの導体部にかからないこと  
 CO.3 MUST NOT BE OVERLAPPED TO PATTERN OF FPC/FFC.
4. エンボスデフ構造時は、アクチュエータがロックした状態とする。  
 IN THE PACKAGE, ACTUATOR SHOULD BE LOCKED.
5. パターン剥離止め用金具  
 FITTING NAIL FOR PREVENTION OF PEELING OF P.C.B. PATTERN.
6. ソルダーテール半田付け面、及び金具半田付け面の平坦度: 0.15mm MAX.  
 COPLANARITY OF SOLDER TAILS AND FITTING NAILS TO BE 0.15mm MAX.
7. ELV及びRoHS適合品  
 ELV AND RoHS COMPLIANT



断面D-D  
SECT. D-D

38.7	35.2	33	52207-3433	34
34.7	31.2	29	-3033	30
33.7	30.2	28	-2933	29
32.7	29.2	27	-2833	28
31.7	28.2	26	-2733	27
30.7	27.2	25	-2633	26
29.7	26.2	24	-2533	25
28.7	25.2	23	-2433	24
27.7	24.2	22	-2333	23
26.7	23.2	21	-2233	22
25.7	22.2	20	-2133	21
24.7	21.2	19	-2033	20
23.7	20.2	18	-1933	19
22.7	19.2	17	-1833	18
21.7	18.2	16	-1733	17
20.7	17.2	15	-1633	16
19.7	16.2	14	-1533	15
18.7	15.2	13	-1433	14
17.7	14.2	12	-1333	13
16.7	13.2	11	-1233	12
15.7	12.2	10	-1133	11
14.7	11.2	9	-1033	10
13.7	10.2	8	-0933	9
12.7	9.2	7	-0833	8
11.7	8.2	6	-0733	7
10.7	7.2	5	-0633	6
9.7	6.2	4	-0533	5
8.7	5.2	3	-0433	4
7.7	4.2	2	52207-0333	3

CONNECTOR SERIES NO: 52207-\*\*\*22

SCALE --- DESIGN UNITS METRIC THIRD ANGLE PROJECTION

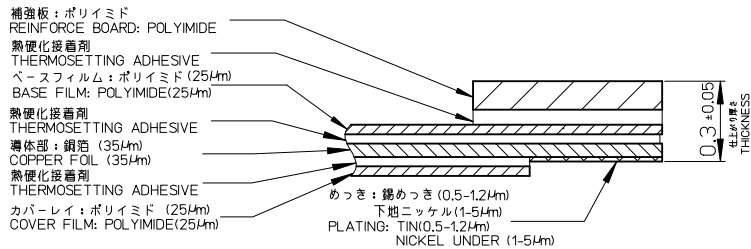
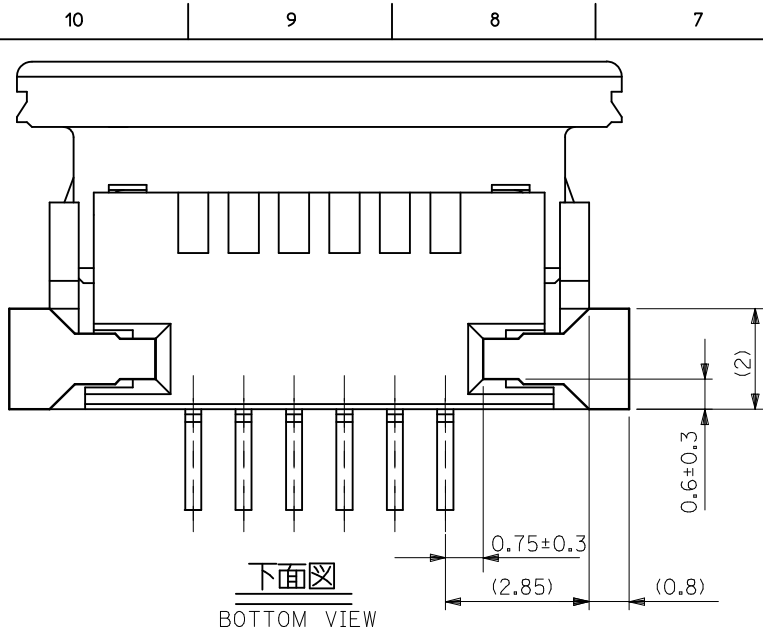
TITLE 1.0 MM FPC CONN. ZIF R/A HOUSING ASSY (UPPER CONTACT)

**molex**

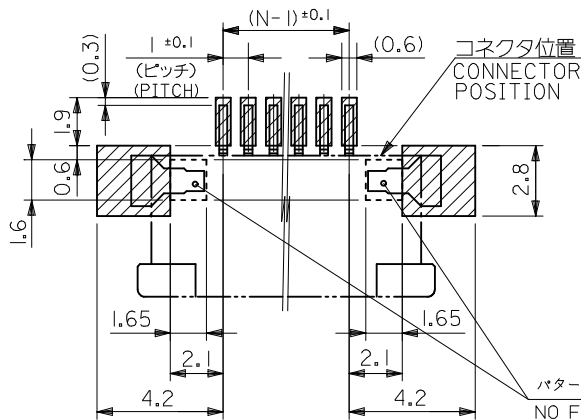
DOCUMENT NO. SD-52207-069 SHEET NO. 1 OF 2

THIS DRAWING CONTAINS INFORMATION THAT IS PROPRIETARY TO MOLEX INCORPORATED AND SHOULD NOT BE USED WITHOUT WRITTEN PERMISSION

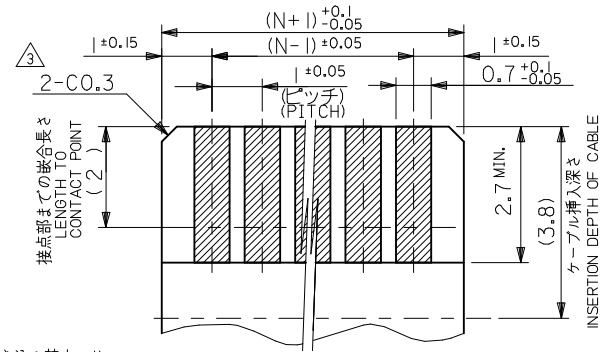
REVISED EC NO: J2014-0096 DRW: AISHI 2013/07/18 CHKD: KAKAHASHI 2013/07/18 APPR: YNOGAWA 2013/08/19	GENERAL TOLERANCES (UNLESS SPECIFIED)		DIMENSION STYLE MM ONLY
	10 UNDER	±0.2	DRAWN BY JOKAMURA
	10 OVER 30 UNDER	±0.25	DATE 2012/09/10
	30 OVER	±0.3	CHECKED BY KTAKAHASHI
DESCRIPTION	ANGULAR ±3 °	DATE 2012/09/11	APPROVED BY KMORIKAWA
REVISION	DRAFT WHERE APPLICABLE MUST REMAIN WITHIN DIMENSIONS	DATE 2013/03/15	MATERIAL NO. SEE CHART



FPC構成推奨仕様  
STRUCTURE OF FPC



推奨基板レイアウト  
RECOMMENDED P.C.BOARD  
PATTERN DIMENSION(REF.)  
(マウント面)  
(MOUNT SIDE)  
マスク厚 : 100 µm  
マスク開口率 : 100%  
SCREEN THICKNESS : 100 MICROMETER  
SCREEN OPEN RATIO : 100%



適合FPC/FFC推奨寸法  
APPLICABLE FPC/FFC  
RECOMMENDED DIMENSION  
(仕上り厚さ: 0.3±0.05)  
(THICKNESS: 0.3±0.05)

FPC/FFCについて ABOUT FPC/FFC

打ち抜き方向は導体側から補強板側を推奨します。  
導体部については軟箔銅35µmまたは50µmを推奨します。

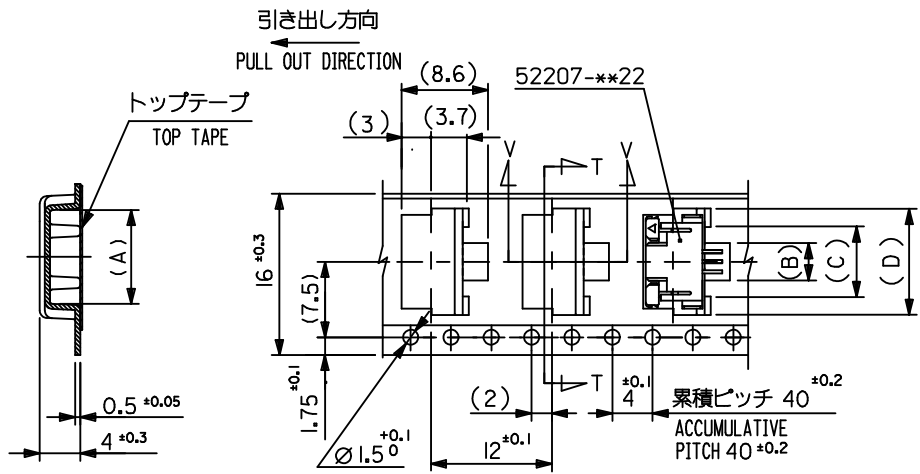
RECOMMENDED PUNCHING DIRECTION: FROM CONDUCTOR SIDE TO STIFFENER SIDE  
RECOMMENDED CONDUCTOR SPEC: SOFT COPPER FOIL  
RECOMMENDED CONDUCTOR THICKNESS: 35 MICROMETER OR 50 MICROMETER

FPCについて ABOUT FPC

補強フィルム材質はポリイミドを推奨します。ベースフィルムは25µmを推奨します。  
接着剤は熱硬化接着剤を推奨します。  
尚、接着剤の接点部への付着は導通不良の原因になりますので、染み出しが無い様、お願い致します。

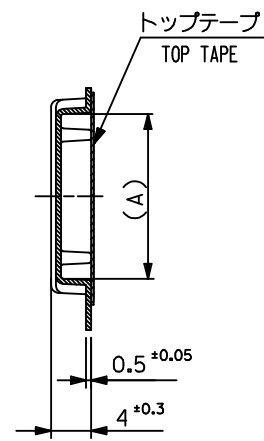
RECOMMENDED STIFFENER MATERIAL: POLYIMIDE  
RECOMMENDED BASE FILM THICKNESS: 25 MICROMETER  
RECOMMENDED ADHESIVE: THERMOSETTING ADHESIVE  
NOTE: PLEASE PUT APPROPRIATE AMOUNT OF ADHESIVE ON ADHEREND BECAUSE THERE IS A POSSIBILITY THAT THE EXTRA ADHESIVE CAUSES THE DEFECT IN ELECTRICAL CONTINUITY.

SEE SHEET 1 OF 2 EC NO: J2014-0096 DRAWN: AISHI 2013/07/18 CHKD: TAKAHASHI 2013/07/18 APPR: YNOGAWA 2013/08/19	GENERAL TOLERANCES (UNLESS SPECIFIED)		DIMENSION STYLE MM ONLY		SCALE ---	DESIGN UNITS METRIC	THIRD ANGLE PROJECTION
	10 UNDER	±0.2	DRAWN BY JOKAMURA	DATE 2012/09/10	TITLE 1.0 MM FPC CONN. ZIF R/A HOUSING ASSY (UPPER CONTACT)		
	10 OVER 30 UNDER	±0.25	CHECKED BY KTAKAHASHI	DATE 2012/09/11			
	30 OVER	±0.3	APPROVED BY KMORIKAWA	DATE 2013/03/15			
ANGULAR	±3 °	MATERIAL NO.		DOCUMENT NO. SD-52207-069	SHEET NO. 2 OF 2		
DRAFT WHERE APPLICABLE MUST REMAIN WITHIN DIMENSIONS		SIZE A3		THIS DRAWING CONTAINS INFORMATION THAT IS PROPRIETARY TO MOLEX INCORPORATED AND SHOULD NOT BE USED WITHOUT WRITTEN PERMISSION			

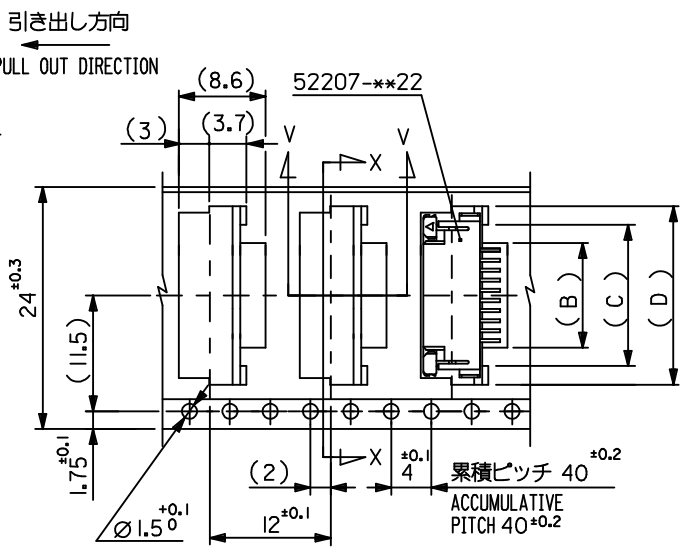


SECT:T-T

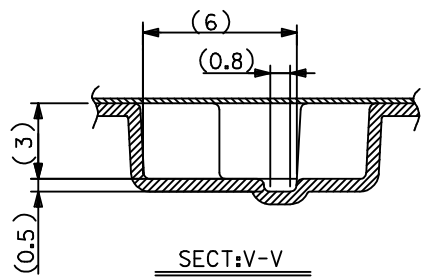
16mm 幅 キャリアテープ  
16mm WIDTH CARRIER TAPE



SECT:X-X



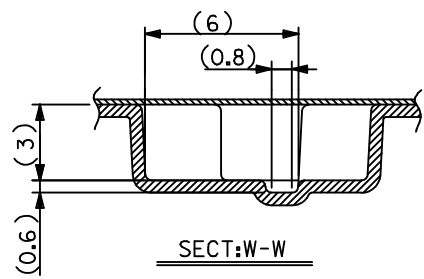
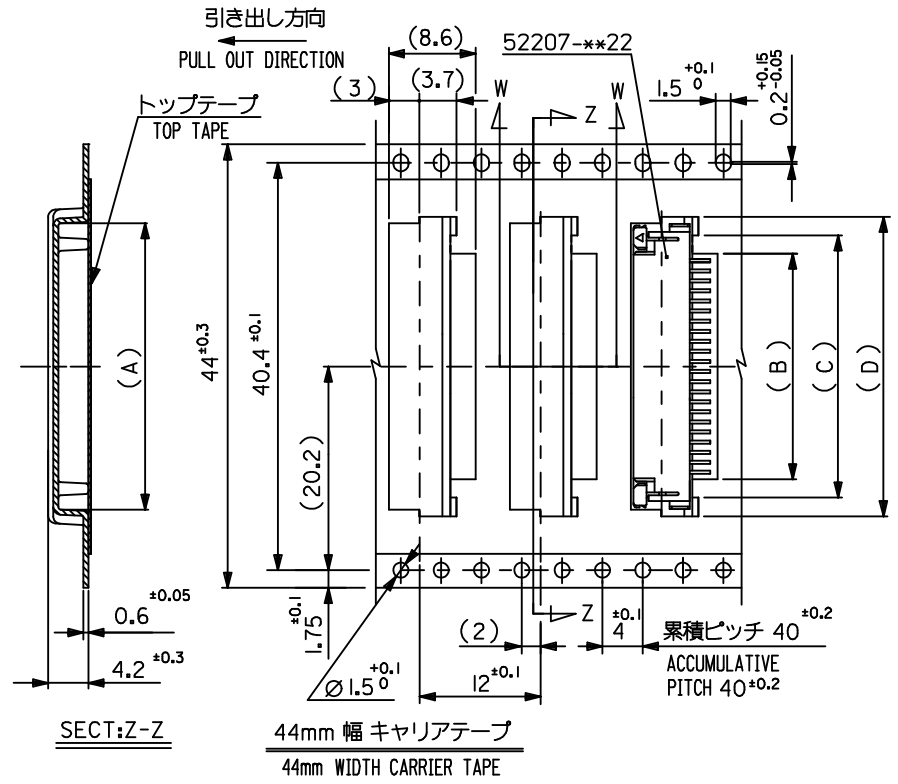
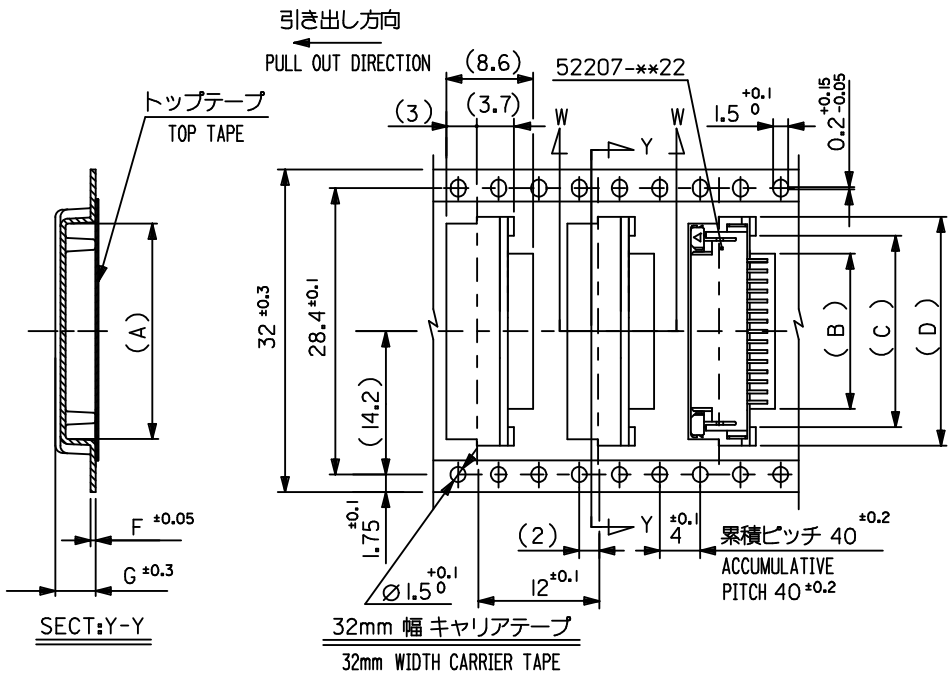
24mm 幅 キャリアテープ  
24mm WIDTH CARRIER TAPE



SECT:V-V

24	29.4	25.4	18.5	15	11.7	17.3	52207-1133	11	
			17.5	14	10.7	16.3	4 -1033	10	
			16.5	13	9.7	15.3	-0933	9	
			15.5	12	8.7	14.3	-0833	8	
			14.5	11	7.7	13.3	-0733	7	
			13.5	10	6.7	12.3	-0633	6	
			12.5	9	5.7	11.3	-0533	5	
			11.5	8	4.7	10.3	7 -0433	4	
52207-**-33	16	21.4	17.4	10.5	7	3.7	9.3	52207-0333	3

RELEASED EC NO: J2013-1002 DRWN:NASUNUMA 2012/09/21 CHKD:KAKAHASHI 2013/03/14 APPR:KMORIKAWA 2013/03/15	GENERAL TOLERANCES (UNLESS SPECIFIED)		DIMENSION STYLE MM ONLY		SCALE ---	DESIGN UNITS METRIC	THIRD ANGLE PROJECTION	
	10 UNDER	±0.2	DRAWN BY	DATE	TITLE			
	10 OVER 30 UNDER	±0.25	NASANUMA	2012/09/21	EMBOSS TAPE PACKAGED FOR 1.0 MM FPC CONN ZIF R/A HOUSING ASSY			
	30 OVER	±0.3	CHECKED BY	DATE				
	ANGULAR	±3 °	KAKAHASHI	2013/03/14	<b>molex</b> DOCUMENT NO. SD-52207-070 SHEET NO. 1 OF 3			
DRAFT WHERE APPLICABLE MUST REMAIN WITHIN DIMENSIONS		APPROVED BY	DATE					
0	REV	DESCRIPTION	MATERIAL NO.		SEE CHART			

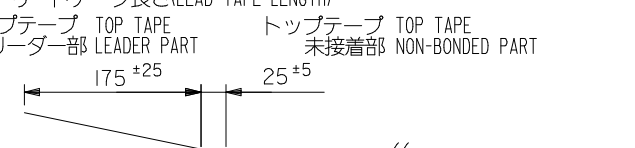


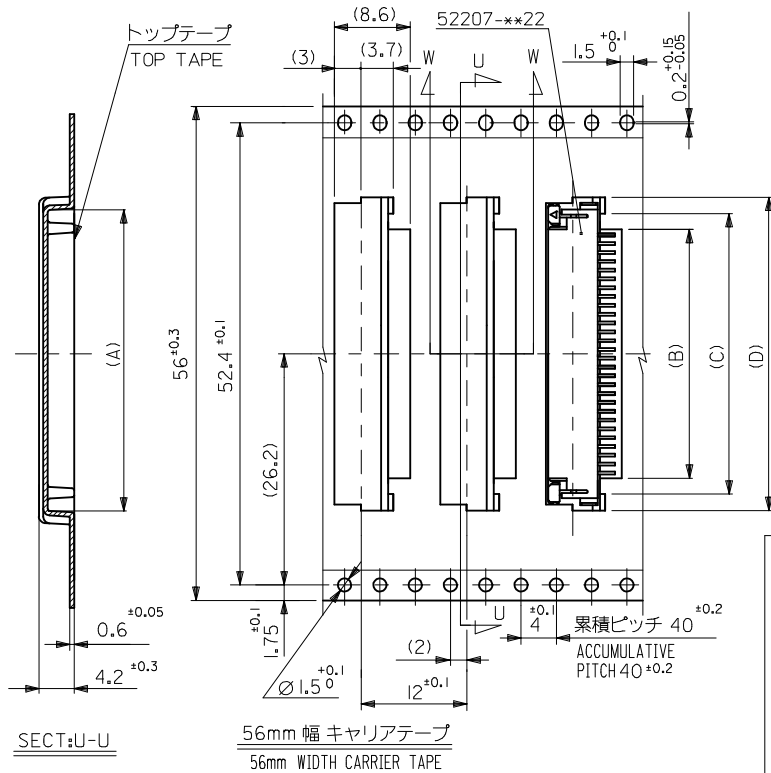
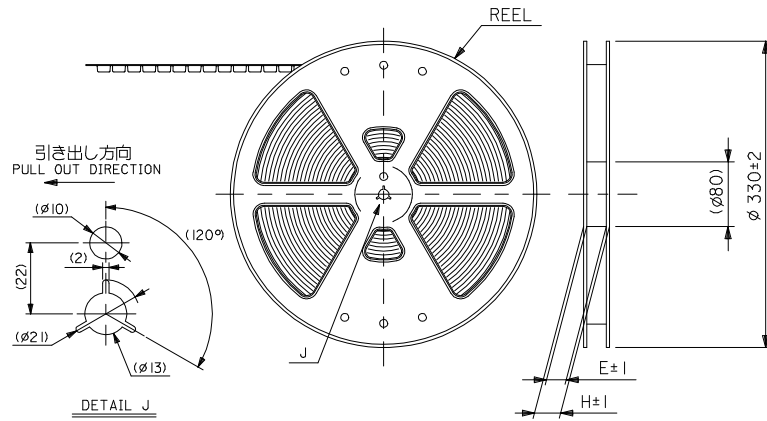
32	37.4	33.4	4.0	0.5	23.5	20	16.7	22.35	52207-1633	16
			4.2	0.6	22.5	19	15.7	21.35	4-1533	15
			4.2	0.6	21.5	18	14.7	20.35	-1433	14
			4.2	0.6	20.5	17	13.7	19.35	7-1333	13
			4.2	0.6	19.5	16	12.7	18.35	52207-1233	12
キャリアテープ幅 CARRIER TAPE WIDTH	H	E	(G)	(F)	(D)	(C)	(B)	(A)	MATERIAL NO.	極数 CKT.

44	49.4	45.4	34.5	31	27.7	33.35	52207-2733	27
			33.5	30	26.7	32.35	4-2633	26
			32.5	29	25.7	31.35	-2533	25
			31.5	28	24.7	30.35	-2433	24
			30.5	27	23.7	29.35	-2333	23
			29.5	26	22.7	28.35	-2233	22
			28.5	25	21.7	27.35	-2133	21
			27.5	24	20.7	26.35	-2033	20
			26.5	23	19.7	25.35	-1933	19
			25.5	22	18.7	24.35	7-1833	18
			24.5	21	17.7	23.35	52207-1733	17
キャリアテープ幅 CARRIER TAPE WIDTH	H	E	(D)	(C)	(B)	(A)	MATERIAL NO.	極数 CKT.


SEE SHEET 1 OF 3 EC NO.: J2013-1002 DRWN:NASUNUMA 2012/09/21 CHKD:KAKAHASHI 2013/03/14 APPR:KMORIKAWA 2013/03/15	GENERAL TOLERANCES (UNLESS SPECIFIED)	DIMENSION STYLE MM ONLY	SCALE ---	DESIGN UNITS METRIC	THIRD ANGLE PROJECTION
	10 UNDER ±0.2	DRAWN BY NASUNUMA	DATE 2012/09/21	TITLE EMBOSSED TAPE PACKAGED 1.0 MM FPC CONN ZIF R/A HOUSING ASSY	
	10 OVER 30 UNDER ±0.25	CHECKED BY KAKAHASHI	DATE 2013/03/14		
	30 OVER ±0.3	APPROVED BY KMORIKAWA	DATE 2013/03/15		
ANGULAR ±3 °	DRAFT WHERE APPLICABLE MUST REMAIN WITHIN DIMENSIONS		SEE CHART	DOCUMENT NO. SD-52207-070	SHEET NO. 2 OF 3
SIZE A3	THIS DRAWING CONTAINS INFORMATION THAT IS PROPRIETARY TO MOLEX INCORPORATED AND SHOULD NOT BE USED WITHOUT WRITTEN PERMISSION				

注記

- 製品番号52207-\*\*22の梱包状態は、アクチュエータがロックした状態とする。  
 詳細寸法については、図面SD-52207-069を参照ください  
 IN THE PACKAGE, ACTUATOR OF PART NO.52207-\*\*22 SHOULD BE LOCKED  
 RE DETAILED DIMENSIONS, SEE SD-52207-069.
- 梱包数量：1000個/リール  
 NUMBER OF CONNECTORS : 1000PCS/REEL
- リードテープ長さ(LEAD TAPE LENGTH)  
 トップテープ TOP TAPE                      トップテープ TOP TAPE  
 リーダー部 LEADER PART                      未接着部 NON-BONDED PART  

- カバーテープの剥離強度については、IEC60286-3に準拠  
 COVER TAPE PEEL FORCE IS DEFINED BY IEC60286-3.
- 材料 (MATERIAL)  
 キャリアテープ (CARRIER TAPE) : ポリプロピレン (POLYPROPYLENE)  
 トップテープ (TOPTAPE) : PET, PE, PEF  
 リール (REEL) : ポリスチレン (PS) <リサイクル材を含む>  
 POLYSTYRENE (PS) <RECYCLE MATERIAL CONTAINED>
- 本製品は乾燥剤入り、ハイバリア梱包仕様である。  
 THIS PRODUCT IS HIGH BARRIER PACKAGE WITH DESICCANT.
- ELV及びRoHS適合品  
 ELV AND RoHS COMPLIANT.



52207-**33	MODEL NO.	キャリアテープ幅 CARRIER TAPE WIDTH	H	E	(D)	(C)	(B)	(A)	41.5	38	34.7	40.35	52207-3433	34
									37.5	34	30.7	36.35	52207-3033	30
									36.5	33	29.7	35.35	52207-2933	29
									35.5	32	28.7	34.35	52207-2833	28
									MATERIAL NO.	極致 CKT.				

SEE SHEET 1 OF 3 EC NO: J2013-1002 DRWN:NASUNUMA 2012/09/21 CHKD:KAKAHASHI 2013/03/14 APPR:KMORIKAWA 2013/03/15	DESCRIPTION REV O	GENERAL TOLERANCES (UNLESS SPECIFIED)		DIMENSION STYLE MM ONLY		SCALE ---	DESIGN UNITS METRIC	THIRD ANGLE PROJECTION		
		10 UNDER	±0.2	DRAWN BY NASUNUMA	DATE 2012/09/21	TITLE EMBOSSSED TAPE PACKAGED 1.0 MM FPC CONN ZIF R/A HOUSING ASSY				
		10 OVER 30 UNDER	±0.25	CHECKED BY KAKAHASHI	DATE 2013/03/14					
		30 OVER	±0.3	APPROVED BY KMORIKAWA	DATE 2013/03/15					
ANGULAR ±3 °		DRAFT WHERE APPLICABLE MUST REMAIN WITHIN DIMENSIONS		SEE CHART		DOCUMENT NO. SD-52207-070		SHEET NO. 3 OF 3		
SIZE A3 THIS DRAWING CONTAINS INFORMATION THAT IS PROPRIETARY TO MOLEX INCORPORATED AND SHOULD NOT BE USED WITHOUT WRITTEN PERMISSION										