

FEATURES AND SPECIFICATIONS

Features and Benefits

- Sizes 2 to 15 circuits
- 0.70mm (.027") round pins
- Polarized
- Friction lock

Reference Information

Packaging: Bag
 UL File No.: E29179
 CSA File No.: LR19980
 Mates With: [5264-N](#) and [42219](#)
 Designed In: Millimeters

Electrical

Voltage: 250V
 Current:

| AWG | 22 | 24 | 26 | 28 |
|---------|-----|-----|-----|-----|
| Amperes | 3.0 | 2.5 | 2.0 | 1.5 |

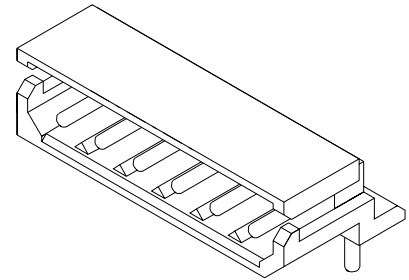
Contact Resistance: 20mΩ max.
 Dielectric Withstanding Voltage: 1000V AC/1 min.
 Insulation Resistance: 1000 MΩ min.

Physical

Housing: 6/6 nylon, UL 94V-0
 Contact: Brass
 Plating: Tin
 Operating Temperature: -40 to +105°C

molex® 2.50mm (.098") Pitch SPOX™ Wire-to-Board Header

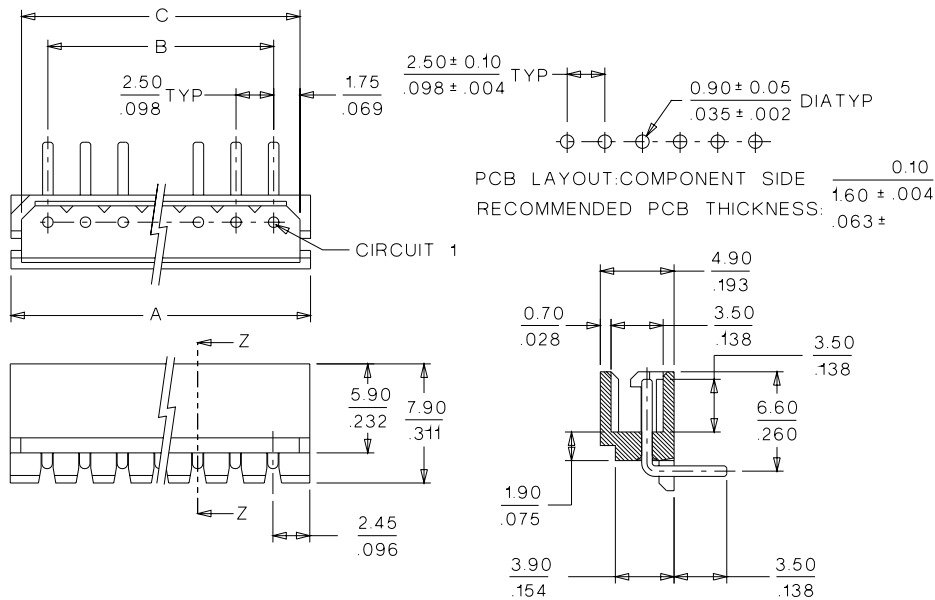
5268-NA Right Angle Fully Shrouded



B

2.00 to 2.50mm (.079 to .098") Pitch

CATALOG DRAWING (FOR REFERENCE ONLY)



ORDERING INFORMATION AND DIMENSIONS

| Circuits | Order No. | Dimension | | |
|----------|------------|---------------|---------------|---------------|
| | | A | B | C |
| 2 | 22-05-7025 | 7.40 (.291) | 2.50 (.098) | 6.00 (.236) |
| 3 | 22-05-7035 | 9.90 (.390) | 5.00 (.197) | 8.50 (.335) |
| 4 | 22-05-7045 | 12.40 (.488) | 7.50 (.295) | 11.00 (.433) |
| 5 | 22-05-7055 | 14.90 (.587) | 10.00 (.394) | 13.50 (.531) |
| 6 | 22-05-7065 | 17.40 (.685) | 12.50 (.492) | 16.00 (.630) |
| 7 | 22-05-7075 | 19.90 (.783) | 15.00 (.591) | 18.50 (.728) |
| 8 | 22-05-7085 | 22.40 (.882) | 17.50 (.689) | 21.00 (.827) |
| 9 | 22-05-7095 | 24.90 (.980) | 20.00 (.787) | 23.50 (.925) |
| 10 | 22-05-7105 | 27.40 (1.079) | 22.50 (.886) | 26.00 (1.024) |
| 11 | 22-05-7115 | 29.90 (1.117) | 25.00 (.984) | 28.50 (1.122) |
| 12 | 22-05-7125 | 32.40 (1.276) | 27.50 (1.083) | 31.00 (1.220) |
| 13 | 22-05-7135 | 34.90 (1.374) | 30.00 (1.181) | 33.50 (1.319) |
| 14 | 22-05-7145 | 37.40 (1.472) | 32.50 (1.280) | 36.00 (1.417) |
| 15 | 22-05-7155 | 39.90 (1.571) | 35.00 (1.378) | 38.50 (1.516) |