

30.5	29.3	25.65	24.5	54132-5062	50
28.0	26.8	23.15	22.0	54132-4562	45
27.0	25.8	22.15	21.0	54132-4362	43
25.5	24.3	20.65	19.5	54132-4062	40
24.5	23.3	19.65	18.5	54132-3862	38
23.5	22.3	18.65	17.5	54132-3662	36
23.0	21.8	18.15	17.0	54132-3562	35
22.5	21.3	17.65	16.5	54132-3462	34
22.0	20.8	17.15	16.0	54132-3362	33
21.5	20.3	16.65	15.5	54132-3262	32
20.5	19.3	15.65	14.5	54132-3062	30
D	C	B	A	EMBOSSED TAPE	CKT.
ORDER No. オーダー番号					

CONNECTOR SERIES NO. : 54132-**68

GENERAL TOLERANCES (UNLESS SPECIFIED)	
10 UNDER	± 0.2
10 OVER 30 UNDER	± 0.25
30 OVER	± 0.3
ANGULAR ± 3 °	
DRAFT WHERE APPLICABLE MUST REMAIN WITHIN DIMENSIONS	

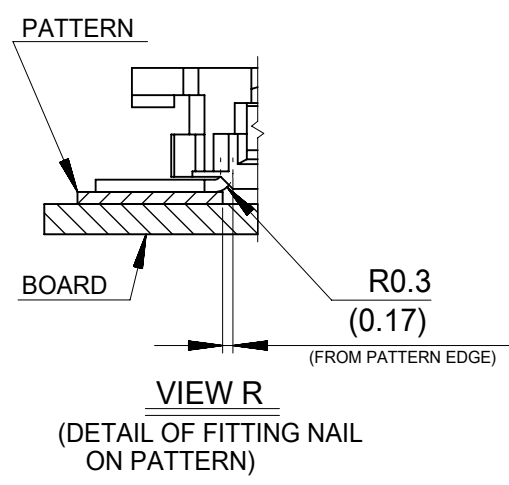
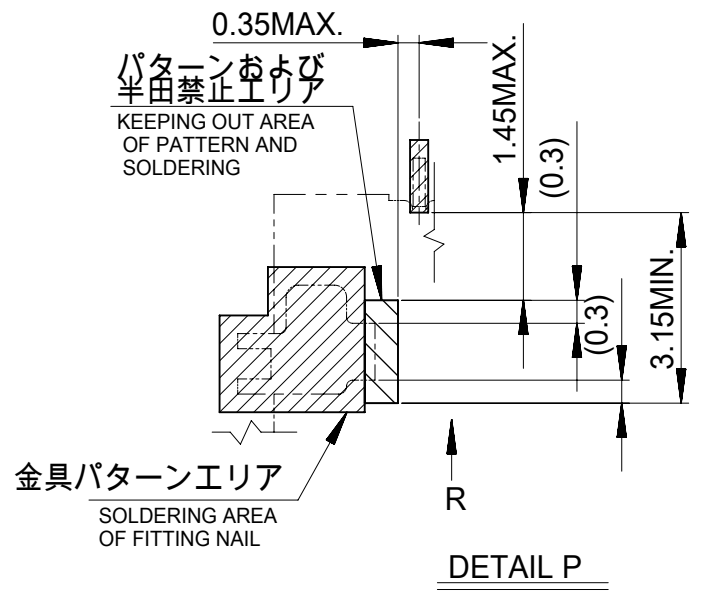
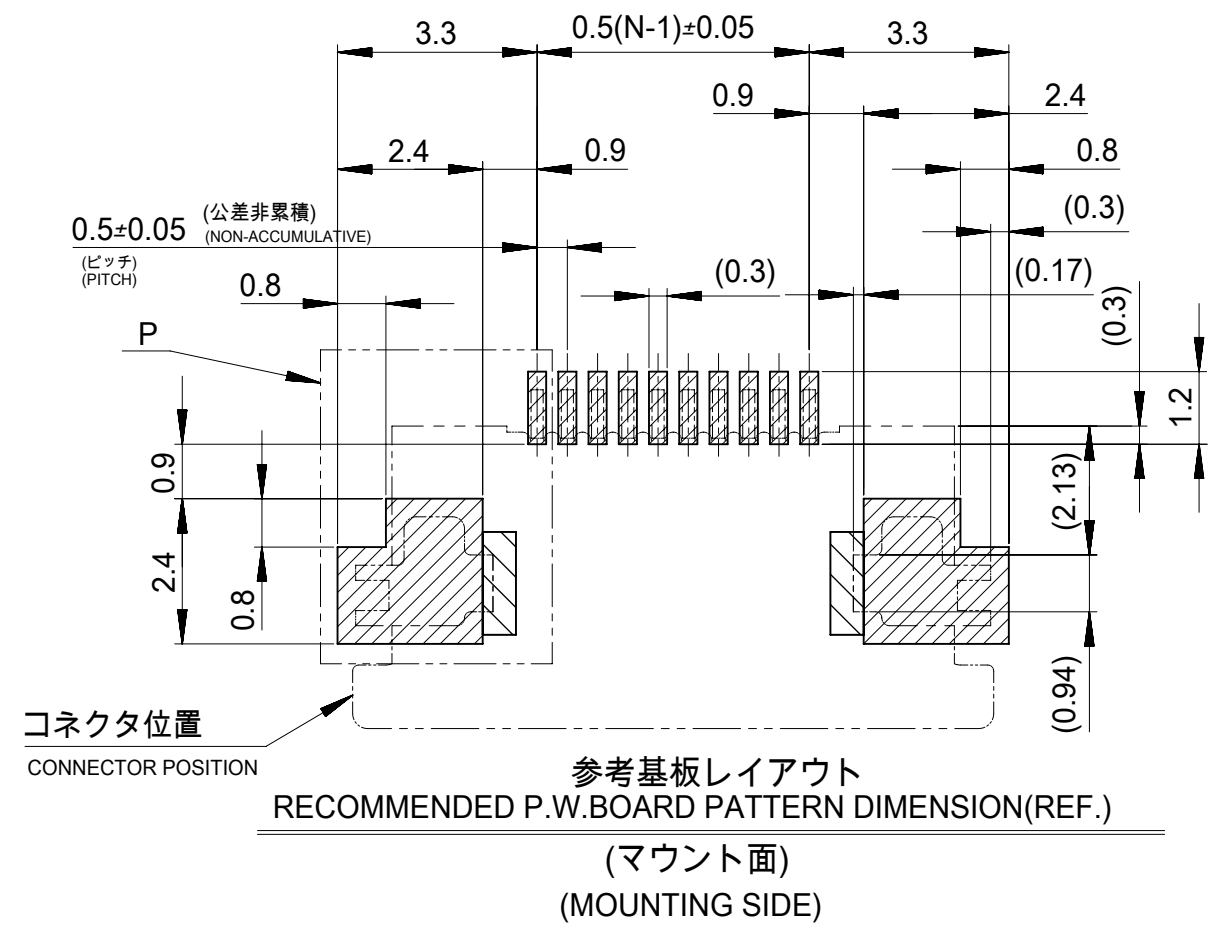
THIS DRAWING CONTAINS INFORMATION THAT IS PROPRIETARY TO MOLEX ELECTRONIC TECHNOLOGIES, LLC AND SHOULD NOT BE USED WITHOUT WRITTEN PERMISSION

DIMENSION UNITS	SCALE	CURRENT REV DESC:	
mm	5:1	EC NO: 600082	
GENERAL TOLERANCES (UNLESS SPECIFIED)		DRWN: YCHEN128	2018/03/02
ANGULAR TOL ± 3.0 °		CHK'D: KTAKAHASHI	2018/03/14
4 PLACES ± 0.2		APPR: NUKITA	2018/03/14
3 PLACES ± 0.25		INITIAL REVISION:	
2 PLACES ± 0.3		DRWN: MUMEDA	2004/10/08
1 PLACE ±		APPR: NUKITA	2004/10/14
0 PLACES ±		THIRD ANGLE PROJECTION	
DRAFT WHERE APPLICABLE MUST REMAIN WITHIN DIMENSIONS		DRAWING	SERIES
		A3-SIZE	54132

molex			
0.5 FPC CONN. ZIF SMT R/A BOTTOM CONTACT NI-BARRIER GOLD PLATING			
PRODUCT CUSTOMER DRAWING			
DOCUMENT NUMBER	DOC TYPE	DOC PART	REVISION
SD-54132-064	PSD	001	G
MATERIAL NUMBER	CUSTOMER	SHEET NUMBER	
SEE TABLE	GENERAL MARKET	1 OF 3	

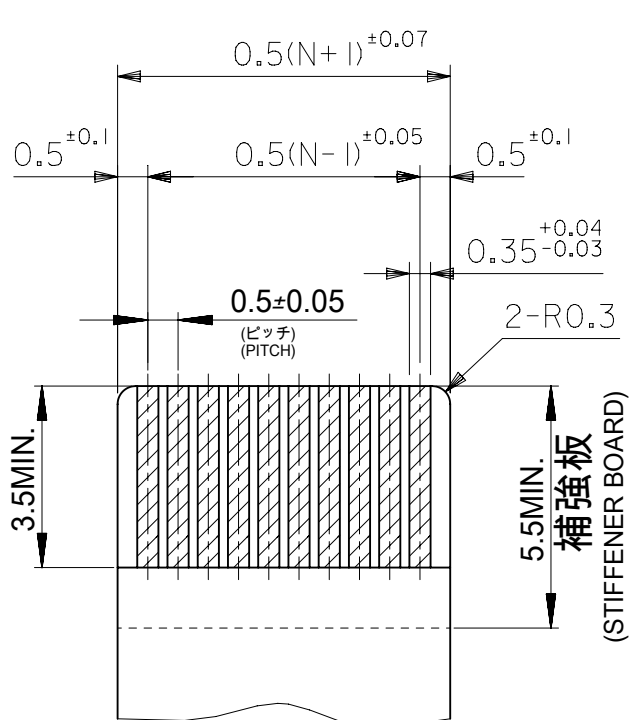
注記NOTES

- 1.使用材料 MATERIAL
 ハウジング : 46ナイロン、ガラス充填、UL94V-0、白
 HOUSING:PA46,GLASS FILLED,UL94V-0,WHITE
 アクチュエータ : ポリフェニレンサルファイド (PPS)、ガラス充填、UL94V-0、黒
 ACTUATOR:POLYPHENYLENE SULFIDE,GLASS FILLED,UL94V-0,BLACK
 ターミナル : リン青銅(t=0.2) 金メッキ 接触部 0.1 MICROMETER MINIMUM
 テール部 0.05 MICROMETER MINIMUM
 ニッケル下地 1.0 MICROMETER MINIMUM
 TERMINAL PHOS-BRONZE GOLD-PLATING
 CONTACT PORTION : 0.1 MICROMETER MINIMUM
 TAIL PORTION : 0.05 MICROMETER MINIMUM
 NICKEL PLATING : 1.0 MICROMETER MINIMUM
 金具 : リン青銅(t=0.2) 錫メッキ 1.0~3.0 MICROMETER MINIMUM
 ニッケル下地 1.0~3.0 MICROMETER MINIMUM
 FITTING NAIL : PHOS-BRONZE TIN-PLATING 1.0~3.0 MICROMETER MINIMUM
 OVER NICKEL 1.0~3.0 MICROMETER MINIMUM
- 2.エンボステープ梱包時はアクチュエータがロックした状態とする。
 IN THE PACKAGE, ACTUATOR OF PART NO.54132-**68 SHOULD BE LOCKED.
- 3.△ ソルダータール半田付け面のズレ量、および金具半田付け面のズレ量は基準面 H に対し上方向 0.1MAXIMUM、下方向 0.15MAXIMUMとする。
 MISALIGNMENT OF SOLDER TAILS AND FITTING NAILS FROM DATUM-H
 UPPER DIRECTION : 0.1MAXIMUM, LOWER DIRECTION : 0.15 MAXIMUM.
- 4.△ 偶数極に適用。
 APPLY FOR EVEN CIRCUIT.
- 5.△ パターンはく離止め金具。
 FITTING NAIL FOR PREVENTION OF PEELING OF P.W.BOARD PATTERN.
- 6.本製品は54132-**61に対するニッケルバリア品になります。
 THIS PRODUCT IS NICKEL-BARRIER OF 54132-**61.
- 7.ELV & RoHS適合品。
 ELV AND RoHS COMPLIANT.

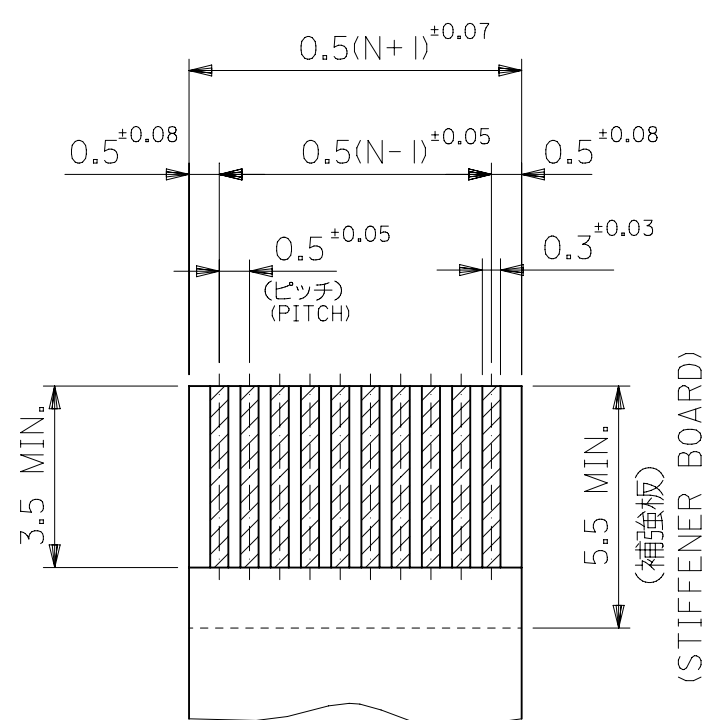


GENERAL TOLERANCES (UNLESS SPECIFIED)	
10 UNDER	± 0.2
10 OVER 30 UNDER	± 0.25
30 OVER	± 0.3
ANGULAR ± 3 °	
DRAFT WHERE APPLICABLE MUST REMAIN WITHIN DIMENSIONS	

THIS DRAWING CONTAINS INFORMATION THAT IS PROPRIETARY TO MOLEX ELECTRONIC TECHNOLOGIES, LLC AND SHOULD NOT BE USED WITHOUT WRITTEN PERMISSION		CURRENT REV DESC:		molex	
DIMENSION UNITS	SCALE	EC NO: 600082			
mm	8:1	DRWN: YCHEN128 2018/03/02		0.5 FPC CONN. ZIF SMT	
GENERAL TOLERANCES (UNLESS SPECIFIED)		CHK'D: KTAKAHASHI 2018/03/14		R/A BOTTOM CONTACT NI-BARRIER GOLD PLATING	
ANGULAR TOL ± 30 °		APPR: NUKITA 2018/03/14		PRODUCT CUSTOMER DRAWING	
4 PLACES ± 0.2		INITIAL REVISION:		DOCUMENT NUMBER	
3 PLACES ± 0.25		DRWN: MUMEDA 2004/10/08		DOC TYPE	
2 PLACES ± 0.3		APPR: NUKITA 2004/10/14		DOC PART	
1 PLACE ±		SERIES		REVISION	
0 PLACES ±		A3-SIZE		SD-54132-064	
DRAFT WHERE APPLICABLE MUST REMAIN WITHIN DIMENSIONS		THIRD ANGLE PROJECTION		MATERIAL NUMBER	
		DRAWING		CUSTOMER	
		54132		SEE TABLE	
		GENERAL MARKET		SHEET NUMBER	
		2 OF 3			

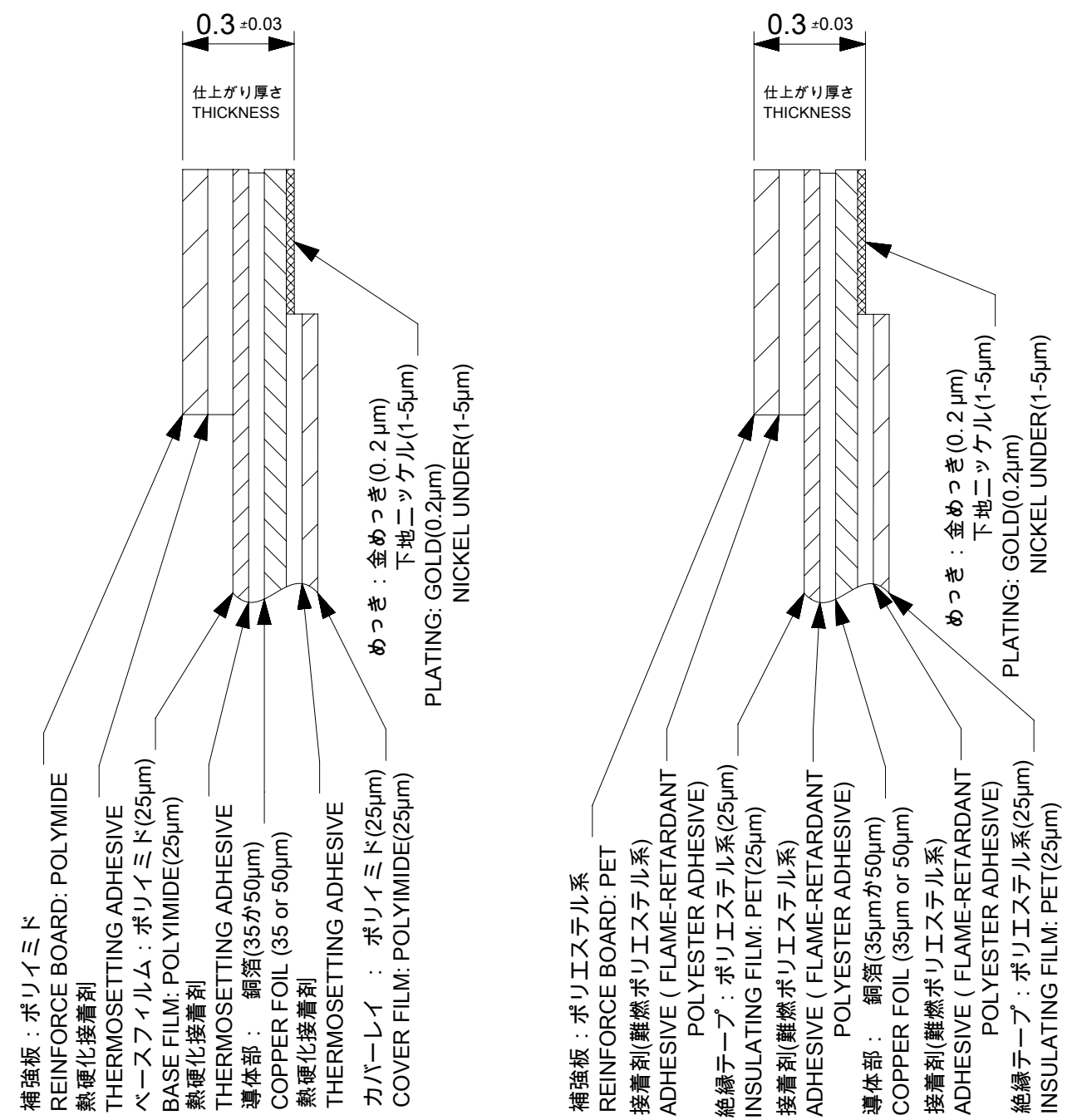


適合金めっきFPC推奨寸法
 APPLICABLE FPC OF GOLD PLATING
 RECOMMENDED DIMENSION
 (仕上がり厚さ : 0.3±0.03)
 (THICKNESS : 0.3±0.03)



適合金めっきFFC推奨寸法
 APPLICABLE FFC OF GOLD PLATING
 RECOMMENDED DIMENSION
 (仕上がり厚さ : 0.3±0.03)
 (THICKNESS : 0.3±0.03)

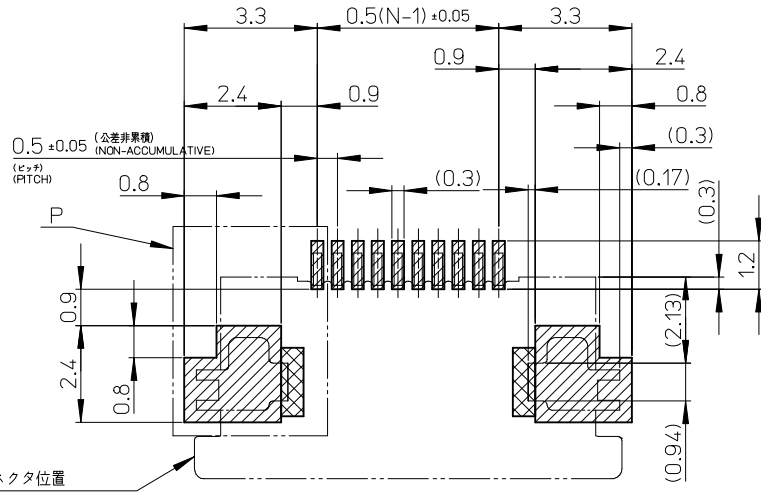
FPC/FFCについて：
 打ち抜き方向は導体側から補強板側を推奨いたします。
 RECOMMENDED PUNCHER DIRECTION
 FROM CONDUCTOR SIDE TO STIFFENER BOARD SIDE.



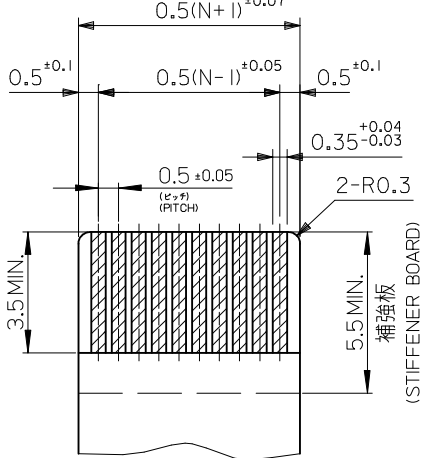
FPC構成推奨仕様
 STRUCTURE OF FPC

FFC構成推奨仕様
 STRUCTURE OF FFC

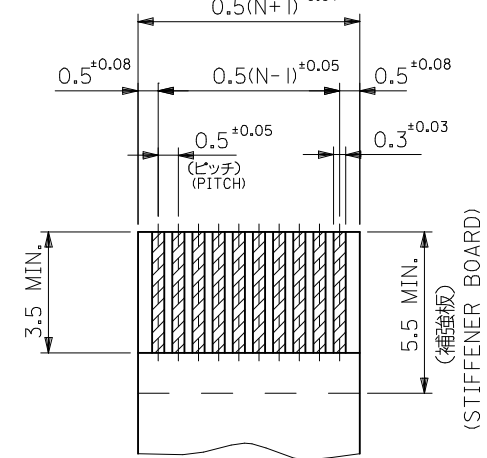
GENERAL TOLERANCES (UNLESS SPECIFIED) 10 UNDER ± 0.2 10 OVER 30 UNDER ± 0.25 30 OVER ± 0.3 ANGULAR ± 3 ° DRAFT WHERE APPLICABLE MUST REMAIN WITHIN DIMENSIONS		DIMENSION UNITS: mm SCALE: 8:1 ANGULAR TOL ± 30 ° 4 PLACES ± 0.2 3 PLACES ± 0.25 2 PLACES ± 0.3 1 PLACE ± 0 PLACES ± DRAFT WHERE APPLICABLE MUST REMAIN WITHIN DIMENSIONS	THIS DRAWING CONTAINS INFORMATION THAT IS PROPRIETARY TO MOLEX ELECTRONIC TECHNOLOGIES, LLC AND SHOULD NOT BE USED WITHOUT WRITTEN PERMISSION CURRENT REV DESC: EC NO: 600082 DRWN: YCHEN128 2018/03/02 CHK'D: KTAKAHASHI 2018/03/14 APPR: NUKITA 2018/03/14 INITIAL REVISION: DRWN: MUMEDA 2004/10/08 APPR: NUKITA 2004/10/14 THIRD ANGLE PROJECTION DRAWING: A3-SIZE SERIES: 54132	molex 0.5 FPC CONN. ZIF SMT R/A BOTTOM CONTACT NI-BARRIER GOLD PLATING PRODUCT CUSTOMER DRAWING DOCUMENT NUMBER: SD-54132-064 DOC TYPE: PSD DOC PART: 001 REVISION: G MATERIAL NUMBER: SEE TABLE CUSTOMER: GENERAL MARKET SHEET NUMBER: 3 OF 3
---	--	---	---	---



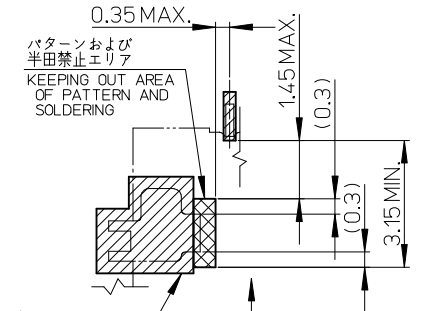
参考基板レイアウト
RECOMMENDED P.W.BOARD PATTERN DIMENSION(REF.)
(マウント面)
(MOUNTING SIDE)



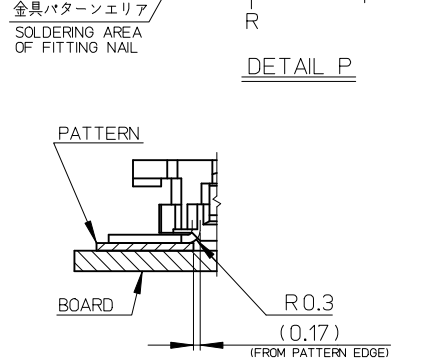
適合金めっきFPC推奨寸法
APPLICABLE FPC OF GOLD PLATING
RECOMMENDED DIMENSION
(仕上がり厚さ : 0.3±0.03)
(THICKNESS : 0.3±0.03)



適合金めっきFFC推奨寸法
APPLICABLE FFC OF GOLD PLATING
RECOMMENDED DIMENSION
(仕上がり厚さ : 0.3±0.03)
(THICKNESS : 0.3±0.03)



DETAIL P



VIEW R
(DETAIL OF FITTING NAIL ON PATTERN)

注記 NOTES

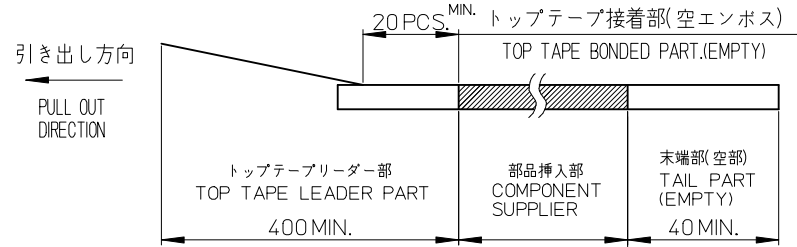
- 1.使用材料 MATERIAL
ハウジング : 46ナイロン、ガラス充填、UL94V-0、白
HOUSING:PA46, GLASS FILLED, UL94V-0, WHITE
アクチュエータ: ポリフェニレンサルファイド (PPS)、ガラス充填、UL94V-0、黒
ACTUATOR: POLYPHENYLENE SULFIDE, GLASS FILLED, UL94V-0, BLACK
ターミナル : リン青銅(≒0.2) 金メッキ コンタクト部 0.1 MICROMETER MINIMUM
テール部 0.05 MICROMETER MINIMUM
ニッケル下地 1.0 MICROMETER MINIMUM
TERMINAL PHOS-BRONZE GOLD-PLATING
CONTACT PORTION : 0.1 MICROMETER MINIMUM
TAIL PORTION : 0.05 MICROMETER MINIMUM
NICKEL PLATING : 1.0 MICROMETER MINIMUM
金具 : リン青銅(≒0.2) 錫メッキ 1.0~3.0 MICROMETER MINIMUM
ニッケル下地 1.0~3.0 MICROMETER MINIMUM
FITTING NAIL : PHOS-BRONZE TIN-PLATING 1.0~3.0 MICROMETER MINIMUM
OVER NICKEL 1.0~3.0 MICROMETER MINIMUM
- 2.エンボステーパ梱包時はアクチュエータがロックした状態とする。
IN THE PACKAGE, ACTUATOR OF PART NO.54132-**68 SHOULD BE LOCKED.
ソルダータール半田付け面のズレ量、および金具半田付け面のズレ量は
基準面 \square に対し上方向 0.1MAXIMUM、下方向 0.15MAXIMUMとする。
MISALIGNMENT OF SOLDER TAILS AND FITTING NAILS FROM \square
UPPER DIRECTION : 0.1MAXIMUM, LOWER DIRECTION : 0.15 MAXIMUM.

- △ 偶数極に適用。
APPLY FOR EVEN CIRCUIT.
- △ パターンはく離止め金具。
FITTING NAIL FOR PREVENTION OF PEELING OF P.W.BOARD PATTERN.
- 6.本製品は54132-**61に対するニッケルバリア品になります。
THIS PRODUCT IS NICKEL-BARRIER OF 54132-**61.
- 7.ELV & RoHS適合品。
ELV AND ROHS COMPLIANT.
- FPC/FFCについて :
打ち抜き方向は導体側から補強板側を推奨いたします。
導体部は軟銅箔 35MICROMETER または 50MICROMETERを推奨いたします。
RECOMMENDED PUNCHER DIRECTION
FROM CONDUCTOR SIDE TO STIFFENER BOARD SIDE.
RECOMMENDED CONDUCTOR SPEC
THICKNESS OF SOFT COPPER FOIL : 35MICROMETERS OR 50MICROMETERS
- FPCについて :
補強フィルム材質はポリイミドを推奨いたします。
接着剤は熱硬化接着剤を推奨いたします。
RECOMMENDED MATERIAL
STIFFENER FILM : POLYIMIDE
BONDING AGENT : THERMOSETTING BONDING AGENT

REVISED EC NO: J2011-0041 DRWN:HYOSHINO 2010/07/08 CHKD:HIJIMA 2010/07/08 APP:R.KMORI/KAWA 2010/07/16	GENERAL TOLERANCES (UNLESS SPECIFIED)		DIMENSION STYLE MM ONLY		SCALE ---	DESIGN UNITS METRIC	THIRD ANGLE PROJECTION
	10 UNDER	± ---	DRAWN BY M.UMEDA	DATE 2004/09/27	TITLE 0.5 FPC CONN. ZIF SMT R/A BOTTOM CONTACT NI-BARRIER GOLD PLATING		
	10 OVER 30 UNDER	± ---	CHECKED BY K.TOYODA	DATE 2004/09/27	MOLEX INCORPORATED		
	30 OVER	± ---	APPROVED BY N.UKITA	DATE 2004/09/27	DOCUMENT NO. SD-54132-064	SHEET NO. 2 OF 2	
REV	ANGULAR ± --- °	DRAFT WHERE APPLICABLE MUST REMAIN WITHIN DIMENSIONS		SIZE A3	THIS DRAWING CONTAINS INFORMATION THAT IS PROPRIETARY TO MOLEX INCORPORATED AND SHOULD NOT BE USED WITHOUT WRITTEN PERMISSION		

NOTE

- 1. 梱包数量 : 1500個/リール
NUMBER OF CONNECTORS : 1500PCS/REEL
- 2. リードテープ長さ
LEAD TAPE LENGTH

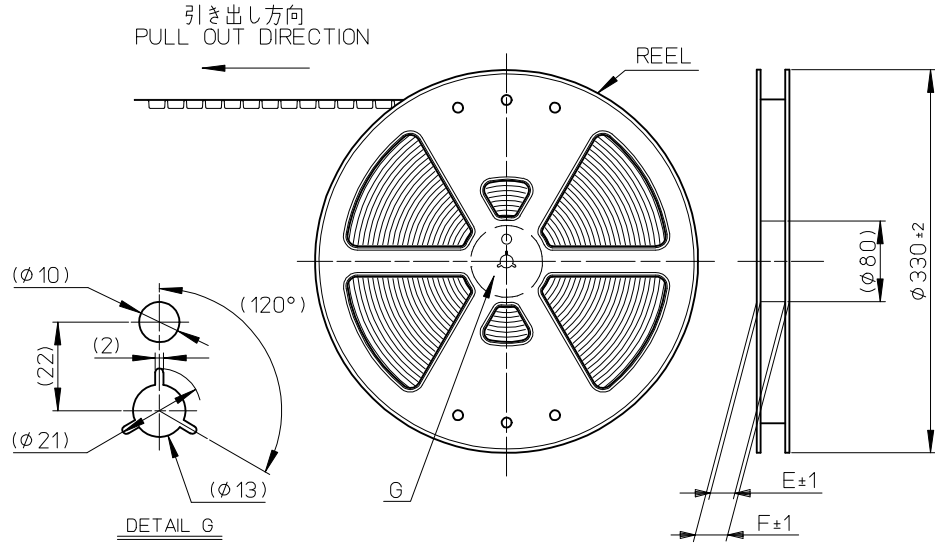


- 3. カバーテープの はく離強度については、IEC60286-3に準拠
COVER TAPE PEEL FORCE IS DEFINED BY IEC 60286-3.

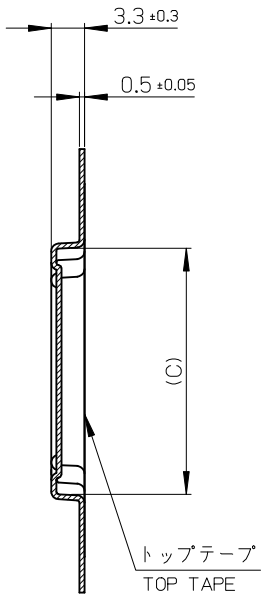
- 4. 材料 キャリアテープ : ポリプロピレン(PP)
トップテープ : PET,PE,PEF
リール : ポリスチレン(PS) <リサイクル材を含む>

MATERIAL CARRIER TAPE : POLYPROPYLENE
TOP TAPE : PET,PE,PEF
REEL : POLYSTYRENE<RECYCLE MATERIAL CONTAINED>

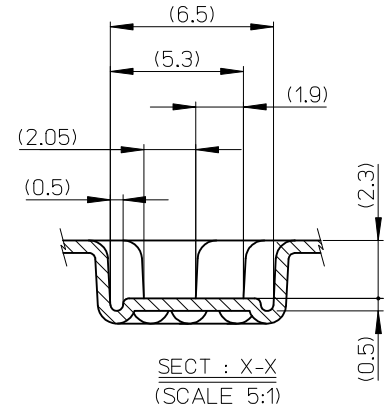
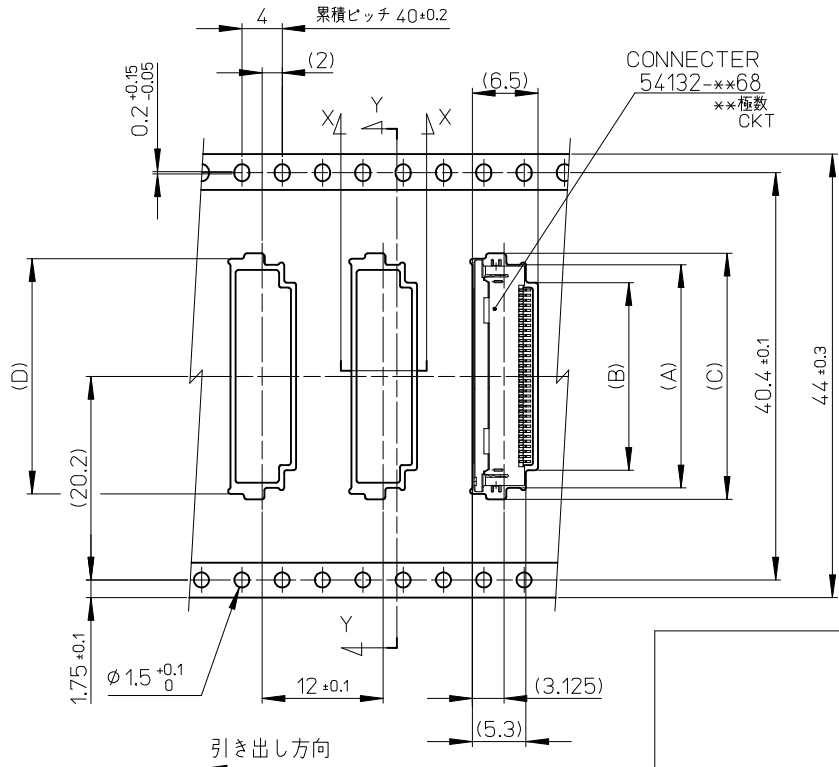
- 5. ELV & RoHS適合品
ELV AND RoHS COMPLIANT



RELEASED EC NO.: J2011-0041 DRWN: HYOSHINO 2010/07/13 CHKD: HIJIMA 2010/07/13 APPR: KMORIKAWA 2010/07/16	GENERAL TOLERANCES (UNLESS SPECIFIED)		DIMENSION STYLE MM ONLY		SCALE ---	DESIGN UNITS METRIC	THIRD ANGLE PROJECTION	
	10 UNDER	±---	DRAWN BY HYOSHINO	DATE 2010/07/13	TITLE 0.5 FPC CONN. ZIF SMT R/A BOTTOM CONTACT TAPING PACKAGE			
	10 OVER 30 UNDER	±---	CHECKED BY HIJIMA	DATE 2010/07/13	MOLEX INCORPORATED			
	30 OVER	±---	APPROVED BY KMORIKAWA	DATE 2010/07/16	DOCUMENT NO. SD-54132-065		SHEET NO. 1 OF 2	
0	DESCRIPTION ANGULAR ±---° DRAFT WHERE APPLICABLE MUST REMAIN WITHIN DIMENSIONS	SIZE A3		THIS DRAWING CONTAINS INFORMATION THAT IS PROPRIETARY TO MOLEX INCORPORATED AND SHOULD NOT BE USED WITHOUT WRITTEN PERMISSION				



SECT : Y-Y



44	49.4	45.4	30.8	31.9	26.1	29.6	54132-5062	50		
			28.3	29.4	23.6	27.1	54132-4562	45		
			27.3	28.4	22.6	26.1	54132-4362	43		
			25.8	26.9	21.1	24.6	54132-4062	40		
			24.8	25.9	20.1	23.6	54132-3862	38		
			23.8	24.9	19.1	22.6	54132-3662	36		
			23.3	24.4	18.6	22.1	54132-3562	35		
			22.8	23.9	18.1	21.6	54132-3462	34		
			22.3	23.4	17.6	21.1	54132-3362	33		
			21.8	22.9	17.1	20.6	54132-3262	32		
20.8	21.9	16.1	19.6	54132-3062	30					
キャリアテープ幅 CARRIAGE TAPE WIDTH			F	E	D	C	B	A	MATERIAL NO. (EMBOSS PKG)	CKT.

RELEASED EC NO: J2011-0041 DRWN: HYOSHINO 2010/07/13 CHKD: HIJIMA 2010/07/13 APPR: KMORIKAWA 2010/07/16	GENERAL TOLERANCES (UNLESS SPECIFIED)		DIMENSION STYLE MM ONLY		SCALE ---	DESIGN UNITS METRIC	THIRD ANGLE PROJECTION	
	10 UNDER	± ---	DRAWN BY HYOSHINO	DATE 2010/07/13	TITLE 0.5 FPC CONN. ZIF SMT R/A BOTTOM CONTACT TAPING PACKAGE			
	10 OVER 30 UNDER	± ---	CHECKED BY HIJIMA	DATE 2010/07/13	MOLEX INCORPORATED			
	30 OVER	± ---	APPROVED BY KMORIKAWA	DATE 2010/07/16	DOCUMENT NO. SD-54132-065		SHEET NO. 2 OF 2	
	ANGULAR ± --- °		MATERIAL NO. SEE SHEET		THIS DRAWING CONTAINS INFORMATION THAT IS PROPRIETARY TO MOLEX INCORPORATED AND SHOULD NOT BE USED WITHOUT WRITTEN PERMISSION			
DRAFT WHERE APPLICABLE MUST REMAIN WITHIN DIMENSIONS								