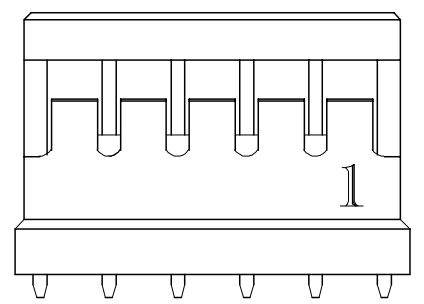
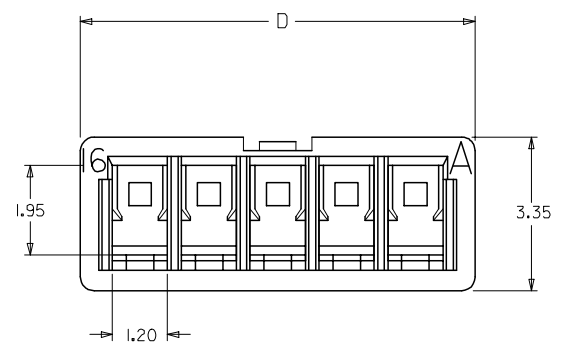
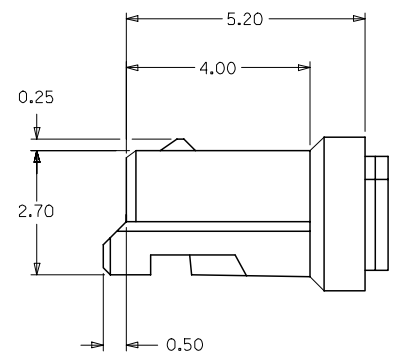
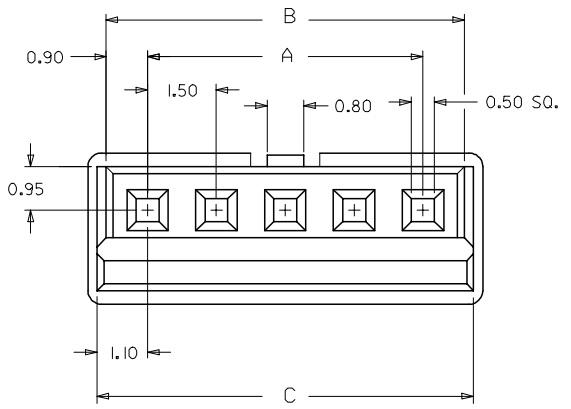


DWG. NO. SD 87439-\*\*\*00  
 CAD FILE S87439.DGN

V

DO NOT SCALE DRAWING



NOTE: HOUSING TO ACCEPT MOLEX P/N 87421-0000

PART NO.	NO. OF CKT's	A	B	C	D
87439-0200	2	1.50	3.30	3.70	4.10
87439-0300	3	3.00	4.80	5.20	5.60
87439-0400	4	4.50	6.30	6.70	7.10
87439-0500	5	6.00	7.80	8.20	8.60
87439-0600	6	7.50	9.30	9.70	10.10
87439-0700	7	9.00	10.80	11.20	11.60
87439-0800	8	10.50	12.30	12.70	13.10
87439-0900	9	12.00	13.80	14.20	14.60
87439-1000	10	13.50	15.30	15.70	16.10
87439-1100	11	15.00	16.80	17.20	17.60
87439-1200	12	16.50	18.30	18.70	19.10
87439-1300	13	18.00	19.80	20.20	20.60
87439-1400	14	19.50	21.30	21.70	22.10
87439-1500	15	21.00	22.80	23.20	23.60

DIM.=mm

				MATERIAL : NYLON 66, 94V-0 COLOR: NATURAL		MOLEX SINGAPORE PTE LTD SHEET 1 OF 1	
				FINISH : NOT APPLICABLE		GENERAL TOLERANCES ± 0.20/.008	
				DRAWN BY JDK 940328		REV A7	
				CHK'D BY SK TOH 940421		DWG. NO.: SD   87439-***00	
REVISION RECORD				APPR'D BY R WONG 940421		TITLE : 1.50 mm PITCH, HOUSING, RECEPTACLE	
LTR	REVISION RECORD	ECN	DR	CHK	DATE	SCALE	NTS

THIS DRAWING CONTAINS INFORMATION THAT IS PROPRIETARY TO MOLEX (S)PTE LTD AND SHOULD NOT BE USED WITHOUT WRITTEN PERMISSION

A3	REVISED PER ECN#	S60591	LING	TOH	960619
A2	REVISED PER ECN#	S60427	LING	POH	960311
A1	REVISED PER ECN#	S50567	LING	POH	950525
A	REVISED PER ECN#	S50336	LING	POH	950306
3	REVISED PER ECN#	S50086	LING	POH	940914
2	REVISED PER ECN#	S40529	LING	TOH	940512
1	PRELIMINARY RELEASE	S40480	JDK	TOH	940328