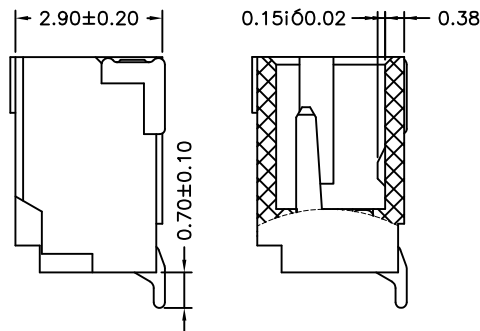
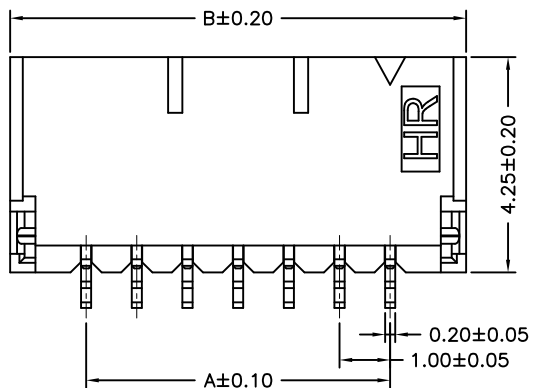


SPECIFICATIONS

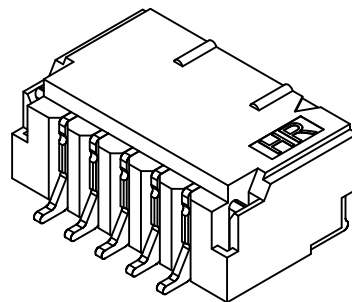
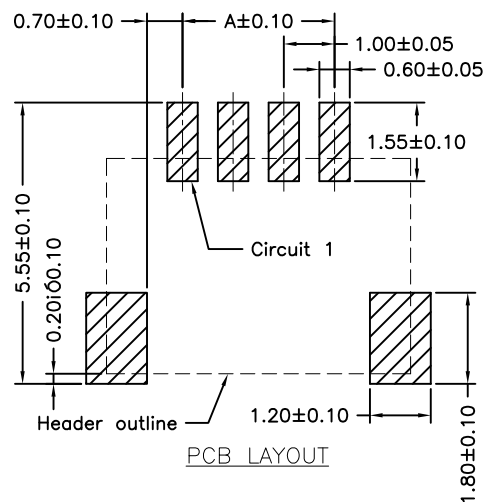
Current Rating: 1A AC,DC
 Voltage Rating: 50V AC,DC
 Temperature Range: -25°C ~ +85°C
 Contact Resistance: 20mΩ Max.
 Insulation Resistance: 100MΩ Min.
 Withstanding Voltage: 500V AC/minute
 Pin Material: Phosphor Bronze
 Solder Tabs: Brass
 Wafer: Nylon 6T&9T,UL94V-0
 Cap: Nylon 6T,UL94V-0
 Color: Black & Beige


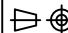


P/N LEGEND

A1001 WR-S-XP XXX
 ① Series No.
 ② Connector type: WR=Wright angel
 ③ Mounting type: S=SMT without post
 ④ No. of circuits
 ⑤ Option code:
 Blank=Nylon 6T,UL94V-0,Color Natural(Beige)
 Contacts/Matte Tin-plated
 Solder tabs/Matte Tin-plated
 D01 =Nylon 6T,UL94V-0,Color Natural(Beige)
 Contacts/Gold-flash and
 Solder tabs/Gold-flash
 D02 =Nylon 6T,UL94V-0,Color Natural(Beige)
 Contacts/Gold-flash 3u" and
 Solder tabs/Gold-flash
 D11 =Nylon 6T,UL94V-0,Color Natural(Black)
 Contacts/Gold-flash and
 Solder tabs/Gold-flash
 D12 =Nylon9T,UL94V-0,Color Natural(Beige)
 Contacts/Gold-flash and
 Solder tabs/Gold-flash

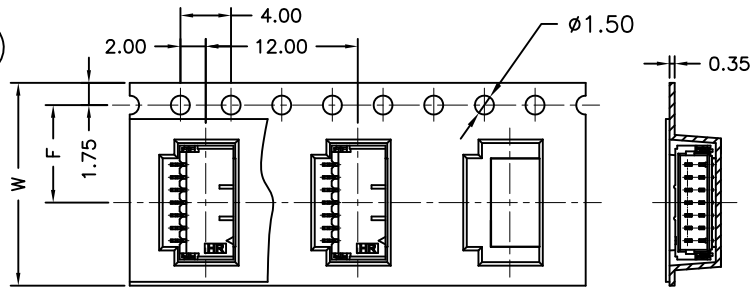
Circuit No.	Dimensions		
	A	B	C
02P	1.00	4.00	2.45
03P	2.00	5.00	3.45
04P	3.00	6.00	4.45
05P	4.00	7.00	5.45
06P	5.00	8.00	6.45
07P	6.00	9.00	7.45
08P	7.00	10.00	8.45
09P	8.00	11.00	9.45
10P	9.00	12.00	10.45
11P	10.00	13.00	11.45
12P	11.00	14.00	12.45
13P	12.00	15.00	13.45
14P	13.00	16.00	14.45
15P	14.00	17.00	15.45
16P	15.00	18.00	16.45
17P	16.00	19.00	17.45
18P	17.00	20.00	18.45
19P	18.00	21.00	19.45
20P	19.00	22.00	20.45
24P	23.00	25.00	23.45



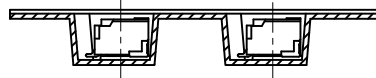
						燦達電子工業股份有限公司 JOINT TECH ELECTRONIC IND. CO., LTD.	
				UNIT	SCALE	SHEET	TITLE:
				mm		1 of 2	
				DRAWN BY 蕭惠風 2002.05.28		APPROVED BY 董正一 2002.05.28	
				GENERAL TOLERANCE			
				X. X±0.25	ANGLE± 		
				X. XX±0.15			
				X. XXX±0.05			
REV.	DESCRIPTION	DATE	NAME	DRAW NO. : A1001WR-S-XP		REV. B5	



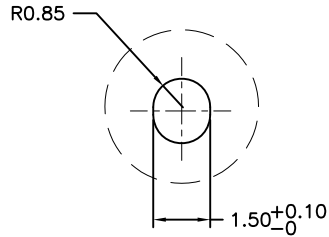
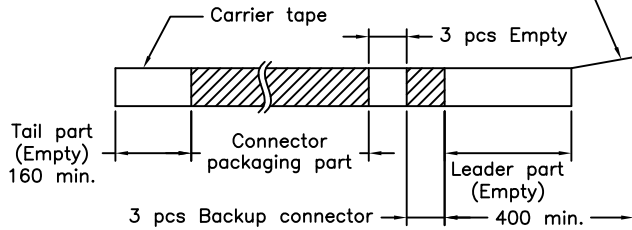
02~14 Contacts



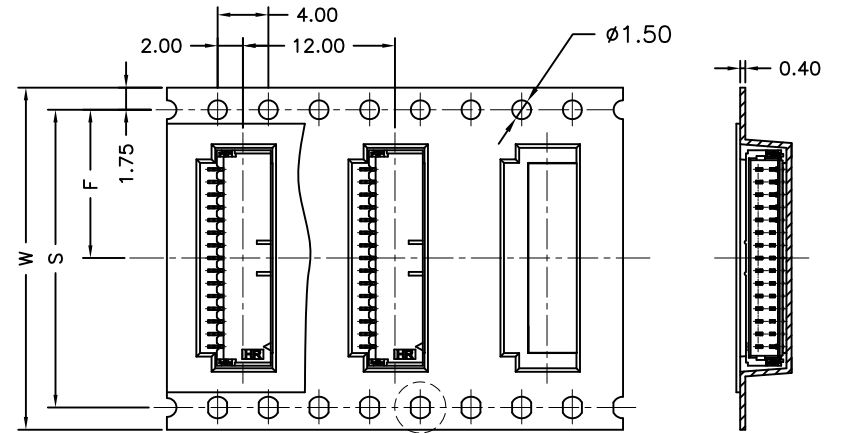
Unreeling direction →



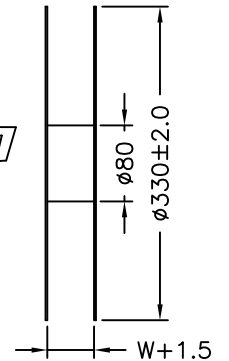
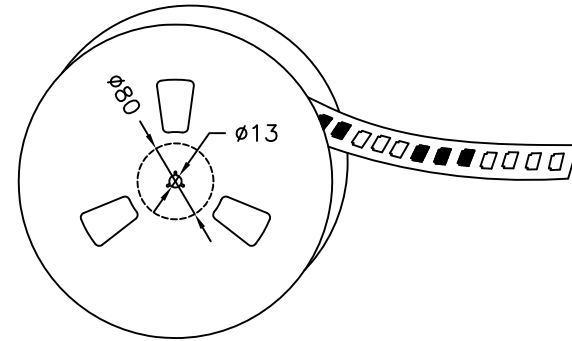
Top tape leader part



15~24 Contacts



Unreeling direction →



Number of Contacts	W±0.3	F±0.1	S±0.1	Q'ty/Reel
02P	12	5.50		1,000
03P	16	7.50		1,000
04P	16	7.50		1,000
05P	16	7.50		1,000
06P	16	7.50		1,000
07P	24	11.50		1,000
08P	24	11.50		1,000
09P	24	11.50		1,000
10P	24	11.50		1,000
11P	24	11.50		1,000
12P	24	11.50		1,000
13P	24	11.50		1,000
14P	24	11.50		1,000
15P	32	14.20	28.40	1,000
16P	32	14.20	28.40	1,000
17P	32	14.20	28.40	1,000
18P	32	14.20	28.40	1,000
19P	32	14.20	28.40	1,000
20P	44	20.20	40.40	1,000
24P	44	20.20	40.40	1,000

NOTE:
Material: Transparent
Anti-static Polystyrene.

				燦達電子工業股份有限公司 JOINT TECH ELECTRONIC IND. CO., LTD.	
UNIT		SCALE	SHEET		TITLE:
mm			2 of 2		1.00mm PITCH 90° WAFER-SMT TYPE TAPING SPEC.
DRAWN BY		APPROVED BY			
董正一		董正一			
2004.12.29		2004.12.29			
GENERAL TOLERANCE					
X. X±0.25		ANGLE±		DRAW NO. : A1001WR-S-XP	
X. XX±0.15					
X. XXX±0.05					
B5	EN1110110449	2011.11.29	陳敏		
REV.	DESCRIPTION	DATE	NAME		