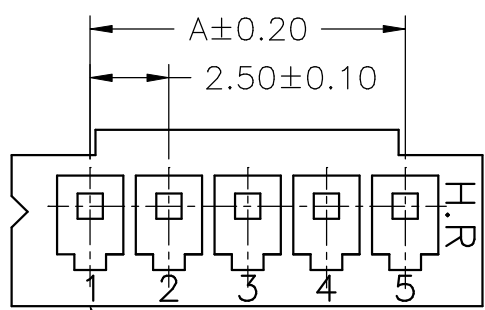
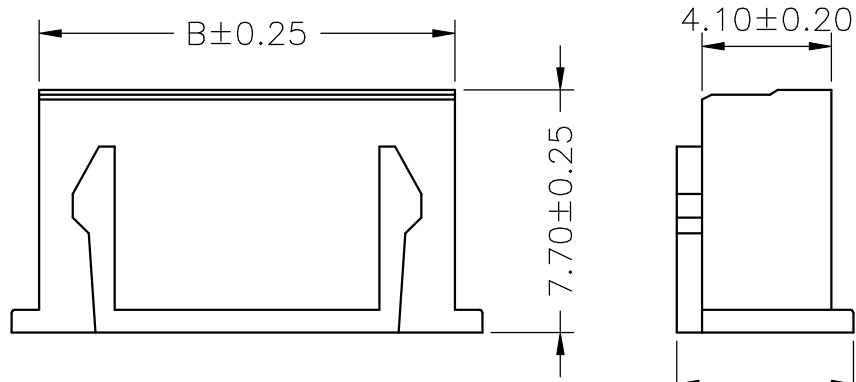


SPECIFICATIONS

Current Rating: 3A AC,DC
 Voltage Rating: 250V AC,DC
 Temperature Range: -25°C ~ +85°C
 Contact Resistance: 10mΩ Max
 Insulation Resistance: 1000MΩ Min
 Withstanding Voltage: 1000V AC/minute
 Material: Nylon 66,UL94V-0
 Color: Natural(White)

Ordering Information & Dimensions

PART NO.	Dimensions	
	A	B
A2501H-02P	2.50	5.70
A2501H-03P	5.00	8.20
A2501H-04P	7.50	10.70
A2501H-05P	10.00	13.20
A2501H-06P	12.50	15.70
A2501H-07P	15.00	18.20
A2501H-08P	17.50	20.70
A2501H-09P	20.00	23.20
A2501H-10P	22.50	25.70
A2501H-11P	25.00	28.20
A2501H-12P	27.50	30.70
A2501H-13P	30.00	33.20
A2501H-14P	32.50	35.70
A2501H-15P	35.00	38.20
A2501H-16P	37.50	40.70
A2501H-17P	40.00	43.20
A2501H-18P	42.50	45.70
A2501H-19P	45.00	48.20
A2501H-20P	47.50	50.70



Circuit 1

				JOINT TECH ELECTRONIC IND. CO., LTD. JOY DAY INDUSTRIAL CO., LTD.	
UNIT	SCALE	SHEET	TITLE:		
mm		1 of 1	2.50mm PITCH HOUSING		
DRAWN BY	APPROVED BY				
董正一	董正一		DRAW NO. : A2501H-XP		
2001.02.01	2001.02.01		REV. B0		
GENERAL TOLERANCE					
		X. X±0.25	ANGLE±		
B0	NEW RELEASE	2006.05.17	X. XX±0.15		
REV.	DESCRIPTION	DATE	X. XXX±0.05		