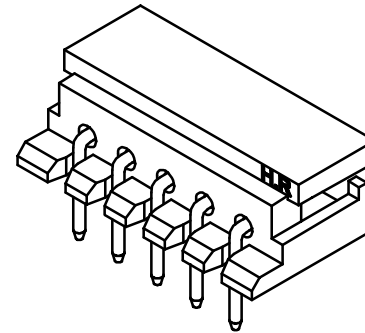
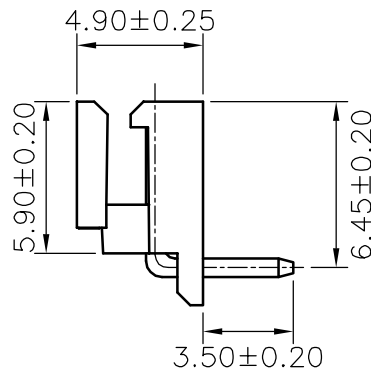
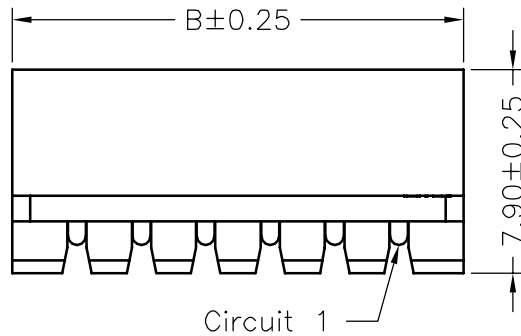


P.C.B. LAYOUT



SPECIFICATIONS

Current Rating: 3A AC,DC
 Voltage Rating: 250V AC,DC
 Temperature Range: $-25^{\circ}\text{C} \sim +85^{\circ}\text{C}$
 Contact Resistance: 20m Ω Max
 Insulation Resistance: 1000M Ω Min
 Withstanding Voltage: 1000V AC/minute
 Pin Material: Brass/Tin-plated
 Material: Nylon 66,UL94V-0
 Pantone Color: 7506C

Ordering Information & Dimensions

| PART NO. | Dimensions | |
|-------------|------------|-------|
| | A | B |
| A2506WR-02P | 2.50 | 7.50 |
| A2506WR-03P | 5.00 | 10.00 |
| A2506WR-04P | 7.50 | 12.50 |
| A2506WR-05P | 10.00 | 15.00 |
| A2506WR-06P | 12.50 | 17.50 |
| A2506WR-07P | 15.00 | 20.00 |
| A2506WR-08P | 17.50 | 22.50 |
| A2506WR-09P | 20.00 | 25.00 |
| A2506WR-10P | 22.50 | 27.50 |
| A2506WR-11P | 25.00 | 30.00 |
| A2506WR-12P | 27.50 | 32.50 |
| A2506WR-13P | 30.00 | 35.00 |
| A2506WR-14P | 32.50 | 37.50 |
| A2506WR-15P | 35.00 | 40.00 |
| A2506WR-16P | 37.50 | 42.50 |

| | | | | | | |
|------|-------------|------------|-------------------|-------------|-------------|---------------------------|
| | | | | | | |
| | | | UNIT | SCALE | SHEET | TITLE: |
| | | | mm | | 1 of 1 | |
| | | | DRAWN BY | | APPROVED BY | |
| | | | 董正一 | | 董正一 | |
| | | | 2001.02.01 | | 2001.02.01 | |
| | | | GENERAL TOLERANCE | | | |
| B2 | REVISE | 2007.08.15 | | | | |
| B1 | REVISE | 2006.07.05 | X. X ± 0.25 | ANGLE \pm | | |
| B0 | NEW RELEASE | 2006.03.23 | X. XX ± 0.15 | | | |
| REV. | DESCRIPTION | DATE | X. XXX ± 0.05 | | | |
| | | | | | | TITLE: |
| | | | | | | 2.50mm PITCH 90° WAFER |
| | | | | | | DRAW NO.: |
| | | | | | | A2506WR-XP |
| | | | | | | REV. |
| | | | | | | B2 |