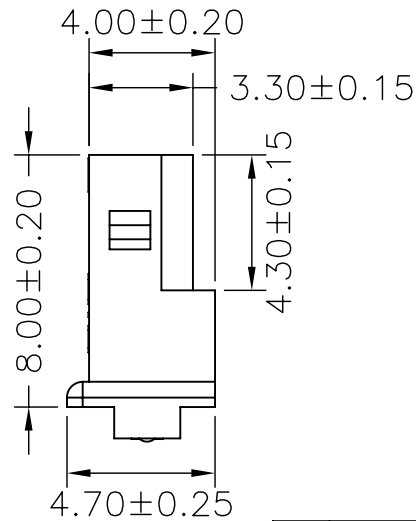
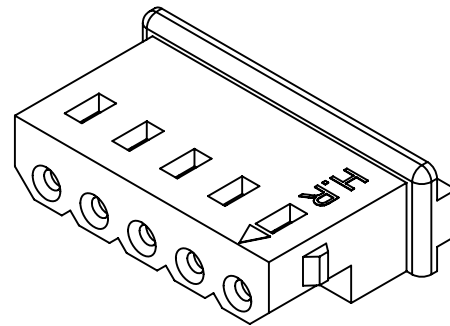


Circuit 1



SPECIFICATIONS

Current Rating: 3A AC,DC
 Voltage Rating: 250V AC,DC
 Temperature Range: -25°C ~ +85°C
 Contact Resistance: 20mΩ Max
 Insulation Resistance: 1000MΩ Min
 Withstanding Voltage: 1000V AC/minute
 Material: Nylon 66,UL94V-0
 Pantone Color: 7506C

Ordering Information & Dimensions

PART NO.	Dimensions	
	A	B
A2506H-02P	2.50	5.80
A2506H-03P	5.00	8.30
A2506H-04P	7.50	10.80
A2506H-05P	10.00	13.30
A2506H-06P	12.50	15.80
A2506H-07P	15.00	18.30
A2506H-08P	17.50	20.80
A2506H-09P	20.00	23.30
A2506H-10P	22.50	25.80
A2506H-11P	25.00	28.30
A2506H-12P	27.50	30.80
A2506H-13P	30.00	33.30
A2506H-14P	32.50	35.80
A2506H-15P	35.00	38.30
A2506H-16P	37.50	40.80

		UNIT	SCALE	SHEET	TITLE:
		mm		1 of 1	
		DRAWN BY	APPROVED BY		2.50mm PITCH HOUSING DRAW NO. : A2506H-XP REV. B1
		董正一	董正一		
		2001.02.01	2001.02.01		
		GENERAL TOLERANCE			
B1	REVISE	2006.07.05	X. X±0.25	ANGLE±	
B0	NEW RELEASE	2006.03.23	X. XX±0.15		
REV.	DESCRIPTION	DATE	X. XXX±0.05		