



**FEATURES:**

- RoHS compliant
- High efficiency up to 86%
- Low profile plastic package
- 7 pin SIP package
- Operating temperature -40°C to + 85°C
- Short circuit protection
- Pin compatible with multiple manufacturers
- Input / Output Isolation 1000, 3000, 4000, 5200 & 6000 VDC

**Models**  
Single output



| Model       | Input Voltage (V) | Output Voltage (V) | Output Current Max (mA) | Isolation (VDC) | Input Current Full Load   No Load (mA) |    | Max Capacitive Load(uF) | Efficiency % |
|-------------|-------------------|--------------------|-------------------------|-----------------|--|----|-------------------------|--------------|
| AM1D-0303SZ | 2.97-3.63         | 3.3                | 303                     | 1000            | 399                                    | 28 | 220                     | 76           |
| AM1D-0305SZ | 2.97-3.63         | 5                  | 200                     | 1000            | 389                                    | 22 | 220                     | 78           |
| AM1D-0307SZ | 2.97-3.63         | 7.2                | 139                     | 1000            | 379                                    | 22 | 220                     | 78           |
| AM1D-0309SZ | 2.97-3.63         | 9                  | 111                     | 1000            | 379                                    | 35 | 220                     | 80           |
| AM1D-0312SZ | 2.97-3.63         | 12                 | 83                      | 1000            | 389                                    | 30 | 220                     | 77           |
| AM1D-0315SZ | 2.97-3.63         | 15                 | 67                      | 1000            | 389                                    | 30 | 220                     | 78           |
| AM1D-0318SZ | 2.97-3.63         | 18                 | 56                      | 1000            | 415                                    | 30 | 220                     | 73           |
| AM1D-0324SZ | 2.97-3.63         | 24                 | 42                      | 1000            | 415                                    | 30 | 220                     | 73           |
| AM1D-0503SZ | 4.5-5.5           | 3.3                | 303                     | 1000            | 256                                    | 15 | 220                     | 78           |
| AM1D-0505SZ | 4.5-5.5           | 5                  | 200                     | 1000            | 247                                    | 17 | 220                     | 81           |
| AM1D-0507SZ | 4.5-5.5           | 7.2                | 139                     | 1000            | 247                                    | 16 | 220                     | 81           |
| AM1D-0509SZ | 4.5-5.5           | 9                  | 111                     | 1000            | 244                                    | 15 | 220                     | 82           |
| AM1D-0512SZ | 4.5-5.5           | 12                 | 83                      | 1000            | 253                                    | 17 | 220                     | 79           |
| AM1D-0515SZ | 4.5-5.5           | 15                 | 67                      | 1000            | 233                                    | 17 | 220                     | 86           |
| AM1D-0518SZ | 4.5-5.5           | 18                 | 56                      | 1000            | 241                                    | 16 | 220                     | 83           |
| AM1D-0524SZ | 4.5-5.5           | 24                 | 42                      | 1000            | 244                                    | 20 | 220                     | 82           |
| AM1D-1203SZ | 10.8-13.2         | 3.3                | 303                     | 1000            | 111                                    | 12 | 220                     | 75           |
| AM1D-1205SZ | 10.8-13.2         | 5                  | 200                     | 1000            | 105                                    | 14 | 220                     | 79           |
| AM1D-1207SZ | 10.8-13.2         | 7.2                | 139                     | 1000            | 111                                    | 14 | 220                     | 75           |
| AM1D-1209SZ | 10.8-13.2         | 9                  | 111                     | 1000            | 104                                    | 9  | 220                     | 80           |
| AM1D-1212SZ | 10.8-13.2         | 12                 | 83                      | 1000            | 105                                    | 13 | 220                     | 79           |
| AM1D-1215SZ | 10.8-13.2         | 15                 | 67                      | 1000            | 102                                    | 10 | 220                     | 82           |
| AM1D-1218SZ | 10.8-13.2         | 18                 | 56                      | 1000            | 103                                    | 11 | 220                     | 81           |
| AM1D-1224SZ | 10.8-13.2         | 24                 | 42                      | 1000            | 110                                    | 20 | 220                     | 76           |
| AM1D-1503SZ | 13.5-16.5         | 3.3                | 303                     | 1000            | 83                                     | 10 | 220                     | 80           |
| AM1D-1505SZ | 13.5-16.5         | 5                  | 200                     | 1000            | 82                                     | 7  | 220                     | 81           |
| AM1D-1507SZ | 13.5-16.5         | 7.2                | 139                     | 1000            | 85                                     | 10 | 220                     | 78           |
| AM1D-1509SZ | 13.5-16.5         | 9                  | 111                     | 1000            | 85                                     | 10 | 220                     | 78           |
| AM1D-1512SZ | 13.5-16.5         | 12                 | 83                      | 1000            | 83                                     | 8  | 220                     | 80           |
| AM1D-1515SZ | 13.5-16.5         | 15                 | 67                      | 1000            | 84                                     | 12 | 220                     | 79           |
| AM1D-1518SZ | 13.5-16.5         | 18                 | 56                      | 1000            | 83                                     | 10 | 220                     | 80           |
| AM1D-1524SZ | 13.5-16.5         | 24                 | 42                      | 1000            | 80                                     | 5  | 220                     | 83           |
| AM1D-2403SZ | 21.6-26.4         | 3.3                | 303                     | 1000            | 56                                     | 8  | 220                     | 74           |
| AM1D-2405SZ | 21.6-26.4         | 5                  | 200                     | 1000            | 54                                     | 6  | 220                     | 77           |
| AM1D-2407SZ | 21.6-26.4         | 7.2                | 139                     | 1000            | 57                                     | 6  | 220                     | 73           |
| AM1D-2409SZ | 21.6-26.4         | 9                  | 111                     | 1000            | 55                                     | 6  | 220                     | 76           |
| AM1D-2412SZ | 21.6-26.4         | 12                 | 83                      | 1000            | 53                                     | 6  | 220                     | 78           |
| AM1D-2415SZ | 21.6-26.4         | 15                 | 67                      | 1000            | 52                                     | 5  | 220                     | 80           |
| AM1D-2418SZ | 21.6-26.4         | 18                 | 56                      | 1000            | 51                                     | 5  | 220                     | 82           |
| AM1D-2424SZ | 21.6-26.4         | 24                 | 42                      | 1000            | 52                                     | 8  | 220                     | 80           |
| AM1D-4803SZ | 43.2-52.5         | 3.3                | 303                     | 1000            | 29                                     | 5  | 220                     | 73           |
| AM1D-4805SZ | 43.2-52.5         | 5                  | 200                     | 1000            | 29                                     | 5  | 220                     | 73           |
| AM1D-4807SZ | 43.2-52.5         | 7.2                | 139                     | 1000            | 28                                     | 5  | 220                     | 75           |
| AM1D-4809SZ | 43.2-52.5         | 9                  | 111                     | 1000            | 27                                     | 5  | 220                     | 76           |
| AM1D-4812SZ | 43.2-52.5         | 12                 | 83                      | 1000            | 27                                     | 5  | 220                     | 76           |
| AM1D-4815SZ | 43.2-52.5         | 15                 | 67                      | 1000            | 27                                     | 5  | 220                     | 77           |
| AM1D-4818SZ | 43.2-52.5         | 18                 | 56                      | 1000            | 28                                     | 5  | 220                     | 75           |

|                |           |     |     |      |     |    |     |    |
|----------------|-----------|-----|-----|------|-----|----|-----|----|
| AM1D-4824SZ    | 43.2-52.5 | 24  | 42  | 1000 | 27  | 6  | 220 | 76 |
| AM1D-0303SH30Z | 2.97-3.63 | 3.3 | 303 | 3000 | 399 | 28 | 220 | 76 |
| AM1D-0305SH30Z | 2.97-3.63 | 5   | 200 | 3000 | 389 | 22 | 220 | 78 |
| AM1D-0307SH30Z | 2.97-3.63 | 7.2 | 139 | 3000 | 379 | 22 | 220 | 78 |
| AM1D-0309SH30Z | 2.97-3.63 | 9   | 111 | 3000 | 379 | 35 | 220 | 80 |
| AM1D-0312SH30Z | 2.97-3.63 | 12  | 83  | 3000 | 389 | 30 | 220 | 77 |
| AM1D-0315SH30Z | 2.97-3.63 | 15  | 67  | 3000 | 389 | 30 | 220 | 78 |
| AM1D-0318SH30Z | 2.97-3.63 | 18  | 56  | 3000 | 415 | 30 | 220 | 73 |
| AM1D-0324SH30Z | 2.97-3.63 | 24  | 42  | 3000 | 415 | 30 | 220 | 73 |
| AM1D-0503SH30Z | 4.5-5.5   | 3.3 | 303 | 3000 | 256 | 15 | 220 | 78 |
| AM1D-0505SH30Z | 4.5-5.5   | 5   | 200 | 3000 | 247 | 17 | 220 | 81 |
| AM1D-0507SH30Z | 4.5-5.5   | 7.2 | 139 | 3000 | 247 | 16 | 220 | 81 |
| AM1D-0509SH30Z | 4.5-5.5   | 9   | 111 | 3000 | 244 | 15 | 220 | 82 |
| AM1D-0512SH30Z | 4.5-5.5   | 12  | 83  | 3000 | 253 | 17 | 220 | 79 |
| AM1D-0515SH30Z | 4.5-5.5   | 15  | 67  | 3000 | 233 | 17 | 220 | 86 |
| AM1D-0518SH30Z | 4.5-5.5   | 18  | 56  | 3000 | 241 | 16 | 220 | 83 |
| AM1D-0524SH30Z | 4.5-5.5   | 24  | 42  | 3000 | 244 | 20 | 220 | 82 |
| AM1D-1203SH30Z | 10.8-13.2 | 3.3 | 303 | 3000 | 111 | 12 | 220 | 75 |
| AM1D-1205SH30Z | 10.8-13.2 | 5   | 200 | 3000 | 105 | 14 | 220 | 79 |
| AM1D-1207SH30Z | 10.8-13.2 | 7.2 | 139 | 3000 | 111 | 14 | 220 | 75 |
| AM1D-1209SH30Z | 10.8-13.2 | 9   | 111 | 3000 | 104 | 9  | 220 | 80 |
| AM1D-1212SH30Z | 10.8-13.2 | 12  | 83  | 3000 | 105 | 13 | 220 | 79 |
| AM1D-1215SH30Z | 10.8-13.2 | 15  | 67  | 3000 | 102 | 10 | 220 | 82 |
| AM1D-1218SH30Z | 10.8-13.2 | 18  | 56  | 3000 | 103 | 11 | 220 | 81 |
| AM1D-1224SH30Z | 10.8-13.2 | 24  | 42  | 3000 | 110 | 20 | 220 | 76 |
| AM1D-1503SH30Z | 13.5-16.5 | 3.3 | 303 | 3000 | 83  | 10 | 220 | 80 |
| AM1D-1505SH30Z | 13.5-16.5 | 5   | 200 | 3000 | 82  | 7  | 220 | 81 |
| AM1D-1507SH30Z | 13.5-16.5 | 7.2 | 139 | 3000 | 85  | 10 | 220 | 78 |
| AM1D-1509SH30Z | 13.5-16.5 | 9   | 111 | 3000 | 85  | 10 | 220 | 78 |
| AM1D-1512SH30Z | 13.5-16.5 | 12  | 83  | 3000 | 83  | 8  | 220 | 80 |
| AM1D-1515SH30Z | 13.5-16.5 | 15  | 67  | 3000 | 84  | 12 | 220 | 79 |
| AM1D-1518SH30Z | 13.5-16.5 | 18  | 56  | 3000 | 83  | 10 | 220 | 80 |
| AM1D-1524SH30Z | 13.5-16.5 | 24  | 42  | 3000 | 80  | 5  | 220 | 83 |
| AM1D-2403SH30Z | 21.6-26.4 | 3.3 | 303 | 3000 | 56  | 8  | 220 | 74 |
| AM1D-2405SH30Z | 21.6-26.4 | 5   | 200 | 3000 | 54  | 6  | 220 | 77 |
| AM1D-2407SH30Z | 21.6-26.4 | 7.2 | 139 | 3000 | 57  | 6  | 220 | 73 |
| AM1D-2409SH30Z | 21.6-26.4 | 9   | 111 | 3000 | 55  | 6  | 220 | 76 |
| AM1D-2412SH30Z | 21.6-26.4 | 12  | 83  | 3000 | 53  | 6  | 220 | 78 |
| AM1D-2415SH30Z | 21.6-26.4 | 15  | 67  | 3000 | 52  | 5  | 220 | 80 |
| AM1D-2418SH30Z | 21.6-26.4 | 18  | 56  | 3000 | 51  | 5  | 220 | 82 |
| AM1D-2424SH30Z | 21.6-26.4 | 24  | 42  | 3000 | 52  | 8  | 220 | 80 |
| AM1D-4803SH30Z | 43.2-52.5 | 3.3 | 303 | 3000 | 29  | 5  | 220 | 73 |
| AM1D-4805SH30Z | 43.2-52.5 | 5   | 200 | 3000 | 29  | 5  | 220 | 73 |
| AM1D-4807SH30Z | 43.2-52.5 | 7.2 | 139 | 3000 | 28  | 5  | 220 | 75 |
| AM1D-4809SH30Z | 43.2-52.5 | 9   | 111 | 3000 | 27  | 5  | 220 | 76 |
| AM1D-4812SH30Z | 43.2-52.5 | 12  | 83  | 3000 | 27  | 5  | 220 | 76 |
| AM1D-4815SH30Z | 43.2-52.5 | 15  | 67  | 3000 | 27  | 5  | 220 | 77 |
| AM1D-4818SH30Z | 43.2-52.5 | 18  | 56  | 3000 | 28  | 5  | 220 | 75 |
| AM1D-4824SH30Z | 43.2-52.5 | 24  | 42  | 3000 | 27  | 6  | 220 | 76 |
| AM1D-0303SH40Z | 2.97-3.63 | 3.3 | 303 | 4000 | 399 | 28 | 220 | 76 |
| AM1D-0305SH40Z | 2.97-3.63 | 5   | 200 | 4000 | 389 | 22 | 220 | 78 |
| AM1D-0307SH40Z | 2.97-3.63 | 7.2 | 139 | 4000 | 379 | 22 | 220 | 78 |
| AM1D-0309SH40Z | 2.97-3.63 | 9   | 111 | 4000 | 379 | 35 | 220 | 80 |
| AM1D-0312SH40Z | 2.97-3.63 | 12  | 83  | 4000 | 389 | 30 | 220 | 77 |
| AM1D-0315SH40Z | 2.97-3.63 | 15  | 67  | 4000 | 389 | 30 | 220 | 78 |
| AM1D-0318SH40Z | 2.97-3.63 | 18  | 56  | 4000 | 415 | 30 | 220 | 73 |
| AM1D-0324SH40Z | 2.97-3.63 | 24  | 42  | 4000 | 415 | 30 | 220 | 73 |
| AM1D-0503SH40Z | 4.5-5.5   | 3.3 | 303 | 4000 | 256 | 15 | 220 | 78 |
| AM1D-0505SH40Z | 4.5-5.5   | 5   | 200 | 4000 | 247 | 17 | 220 | 81 |

|                |           |     |     |      |     |    |     |    |
|----------------|-----------|-----|-----|------|-----|----|-----|----|
| AM1D-0507SH40Z | 4.5-5.5   | 7.2 | 139 | 4000 | 247 | 16 | 220 | 81 |
| AM1D-0509SH40Z | 4.5-5.5   | 9   | 111 | 4000 | 244 | 15 | 220 | 82 |
| AM1D-0512SH40Z | 4.5-5.5   | 12  | 83  | 4000 | 253 | 17 | 220 | 79 |
| AM1D-0515SH40Z | 4.5-5.5   | 15  | 67  | 4000 | 233 | 17 | 220 | 86 |
| AM1D-0518SH40Z | 4.5-5.5   | 18  | 56  | 4000 | 241 | 16 | 220 | 83 |
| AM1D-0524SH40Z | 4.5-5.5   | 24  | 42  | 4000 | 244 | 20 | 220 | 82 |
| AM1D-1203SH40Z | 10.8-13.2 | 3.3 | 303 | 4000 | 111 | 12 | 220 | 75 |
| AM1D-1205SH40Z | 10.8-13.2 | 5   | 200 | 4000 | 105 | 14 | 220 | 79 |
| AM1D-1207SH40Z | 10.8-13.2 | 7.2 | 139 | 4000 | 111 | 14 | 220 | 75 |
| AM1D-1209SH40Z | 10.8-13.2 | 9   | 111 | 4000 | 104 | 9  | 220 | 80 |
| AM1D-1212SH40Z | 10.8-13.2 | 12  | 83  | 4000 | 105 | 13 | 220 | 79 |
| AM1D-1215SH40Z | 10.8-13.2 | 15  | 67  | 4000 | 102 | 10 | 220 | 82 |
| AM1D-1218SH40Z | 10.8-13.2 | 18  | 56  | 4000 | 103 | 11 | 220 | 81 |
| AM1D-1224SH40Z | 10.8-13.2 | 24  | 42  | 4000 | 110 | 20 | 220 | 76 |
| AM1D-1503SH40Z | 13.5-16.5 | 3.3 | 303 | 4000 | 83  | 10 | 220 | 80 |
| AM1D-1505SH40Z | 13.5-16.5 | 5   | 200 | 4000 | 82  | 7  | 220 | 81 |
| AM1D-1507SH40Z | 13.5-16.5 | 7.2 | 139 | 4000 | 85  | 10 | 220 | 78 |
| AM1D-1509SH40Z | 13.5-16.5 | 9   | 111 | 4000 | 85  | 10 | 220 | 78 |
| AM1D-1512SH40Z | 13.5-16.5 | 12  | 83  | 4000 | 83  | 8  | 220 | 80 |
| AM1D-1515SH40Z | 13.5-16.5 | 15  | 67  | 4000 | 84  | 12 | 220 | 79 |
| AM1D-1518SH40Z | 13.5-16.5 | 18  | 56  | 4000 | 83  | 10 | 220 | 80 |
| AM1D-1524SH40Z | 13.5-16.5 | 24  | 42  | 4000 | 80  | 5  | 220 | 83 |
| AM1D-2403SH40Z | 21.6-26.4 | 3.3 | 303 | 4000 | 56  | 8  | 220 | 74 |
| AM1D-2405SH40Z | 21.6-26.4 | 5   | 200 | 4000 | 54  | 6  | 220 | 77 |
| AM1D-2407SH40Z | 21.6-26.4 | 7.2 | 139 | 4000 | 57  | 6  | 220 | 73 |
| AM1D-2409SH40Z | 21.6-26.4 | 9   | 111 | 4000 | 55  | 6  | 220 | 76 |
| AM1D-2412SH40Z | 21.6-26.4 | 12  | 83  | 4000 | 53  | 6  | 220 | 78 |
| AM1D-2415SH40Z | 21.6-26.4 | 15  | 67  | 4000 | 52  | 5  | 220 | 80 |
| AM1D-2418SH40Z | 21.6-26.4 | 18  | 56  | 4000 | 51  | 5  | 220 | 82 |
| AM1D-2424SH40Z | 21.6-26.4 | 24  | 42  | 4000 | 52  | 8  | 220 | 80 |
| AM1D-4803SH40Z | 43.2-52.5 | 3.3 | 303 | 4000 | 29  | 5  | 220 | 73 |
| AM1D-4805SH40Z | 43.2-52.5 | 5   | 200 | 4000 | 29  | 5  | 220 | 73 |
| AM1D-4807SH40Z | 43.2-52.5 | 7.2 | 139 | 4000 | 28  | 5  | 220 | 75 |
| AM1D-4809SH40Z | 43.2-52.5 | 9   | 111 | 4000 | 27  | 5  | 220 | 76 |
| AM1D-4812SH40Z | 43.2-52.5 | 12  | 83  | 4000 | 27  | 5  | 220 | 76 |
| AM1D-4815SH40Z | 43.2-52.5 | 15  | 67  | 4000 | 27  | 5  | 220 | 77 |
| AM1D-4818SH40Z | 43.2-52.5 | 18  | 56  | 4000 | 28  | 5  | 220 | 75 |
| AM1D-4824SH40Z | 43.2-52.5 | 24  | 42  | 4000 | 27  | 6  | 220 | 76 |
| AM1D-0303SH52Z | 2.97-3.63 | 3.3 | 303 | 5200 | 399 | 28 | 220 | 76 |
| AM1D-0305SH52Z | 2.97-3.63 | 5   | 200 | 5200 | 389 | 22 | 220 | 78 |
| AM1D-0307SH52Z | 2.97-3.63 | 7.2 | 139 | 5200 | 379 | 22 | 220 | 78 |
| AM1D-0309SH52Z | 2.97-3.63 | 9   | 111 | 5200 | 379 | 35 | 220 | 80 |
| AM1D-0312SH52Z | 2.97-3.63 | 12  | 83  | 5200 | 389 | 30 | 220 | 77 |
| AM1D-0315SH52Z | 2.97-3.63 | 15  | 67  | 5200 | 389 | 30 | 220 | 78 |
| AM1D-0318SH52Z | 2.97-3.63 | 18  | 56  | 5200 | 415 | 30 | 220 | 73 |
| AM1D-0324SH52Z | 2.97-3.63 | 24  | 42  | 5200 | 415 | 30 | 220 | 73 |
| AM1D-0503SH52Z | 4.5-5.5   | 3.3 | 303 | 5200 | 256 | 15 | 220 | 78 |
| AM1D-0505SH52Z | 4.5-5.5   | 5   | 200 | 5200 | 247 | 17 | 220 | 81 |
| AM1D-0507SH52Z | 4.5-5.5   | 7.2 | 139 | 5200 | 247 | 16 | 220 | 81 |
| AM1D-0509SH52Z | 4.5-5.5   | 9   | 111 | 5200 | 244 | 15 | 220 | 82 |
| AM1D-0512SH52Z | 4.5-5.5   | 12  | 83  | 5200 | 253 | 17 | 220 | 79 |
| AM1D-0515SH52Z | 4.5-5.5   | 15  | 67  | 5200 | 233 | 17 | 220 | 86 |
| AM1D-0518SH52Z | 4.5-5.5   | 18  | 56  | 5200 | 241 | 16 | 220 | 83 |
| AM1D-0524SH52Z | 4.5-5.5   | 24  | 42  | 5200 | 244 | 20 | 220 | 82 |
| AM1D-1203SH52Z | 10.8-13.2 | 3.3 | 303 | 5200 | 111 | 12 | 220 | 75 |
| AM1D-1205SH52Z | 10.8-13.2 | 5   | 200 | 5200 | 105 | 14 | 220 | 79 |
| AM1D-1207SH52Z | 10.8-13.2 | 7.2 | 139 | 5200 | 111 | 14 | 220 | 75 |
| AM1D-1209SH52Z | 10.8-13.2 | 9   | 111 | 5200 | 104 | 9  | 220 | 80 |
| AM1D-1212SH52Z | 10.8-13.2 | 12  | 83  | 5200 | 105 | 13 | 220 | 79 |
| AM1D-1215SH52Z | 10.8-13.2 | 15  | 67  | 5200 | 102 | 10 | 220 | 82 |

|                  |           |     |     |      |     |    |     |    |
|------------------|-----------|-----|-----|------|-----|----|-----|----|
| AM1D-1218SH52Z   | 10.8-13.2 | 18  | 56  | 5200 | 103 | 11 | 220 | 81 |
| AM1D-1224SH52Z   | 10.8-13.2 | 24  | 42  | 5200 | 110 | 20 | 220 | 76 |
| AM1D-1503SH52Z   | 13.5-16.5 | 3.3 | 303 | 5200 | 83  | 10 | 220 | 80 |
| AM1D-1505SH52Z   | 13.5-16.5 | 5   | 200 | 5200 | 82  | 7  | 220 | 81 |
| AM1D-1507SH52Z   | 13.5-16.5 | 7.2 | 139 | 5200 | 85  | 10 | 220 | 78 |
| AM1D-1509SH52Z   | 13.5-16.5 | 9   | 111 | 5200 | 85  | 10 | 220 | 78 |
| AM1D-1512SH52Z   | 13.5-16.5 | 12  | 83  | 5200 | 83  | 8  | 220 | 80 |
| AM1D-1515SH52Z   | 13.5-16.5 | 15  | 67  | 5200 | 84  | 12 | 220 | 79 |
| AM1D-1518SH52Z   | 13.5-16.5 | 18  | 56  | 5200 | 83  | 10 | 220 | 80 |
| AM1D-1524SH52Z   | 13.5-16.5 | 24  | 42  | 5200 | 80  | 5  | 220 | 83 |
| AM1D-2403SH52Z   | 21.6-26.4 | 3.3 | 303 | 5200 | 56  | 8  | 220 | 74 |
| AM1D-2405SH52Z   | 21.6-26.4 | 5   | 200 | 5200 | 54  | 6  | 220 | 77 |
| AM1D-2407SH52Z   | 21.6-26.4 | 7.2 | 139 | 5200 | 57  | 6  | 220 | 73 |
| AM1D-2409SH52Z   | 21.6-26.4 | 9   | 111 | 5200 | 55  | 6  | 220 | 76 |
| AM1D-2412SH52Z   | 21.6-26.4 | 12  | 83  | 5200 | 53  | 6  | 220 | 78 |
| AM1D-2415SH52Z   | 21.6-26.4 | 15  | 67  | 5200 | 52  | 5  | 220 | 80 |
| AM1D-2418SH52Z   | 21.6-26.4 | 18  | 56  | 5200 | 51  | 5  | 220 | 82 |
| AM1D-2424SH52Z   | 21.6-26.4 | 24  | 42  | 5200 | 52  | 8  | 220 | 80 |
| AM1D-4803SH52Z   | 43.2-52.5 | 3.3 | 303 | 5200 | 29  | 5  | 220 | 73 |
| AM1D-4805SH52Z   | 43.2-52.5 | 5   | 200 | 5200 | 29  | 5  | 220 | 73 |
| AM1D-4807SH52Z   | 43.2-52.5 | 7.2 | 139 | 5200 | 28  | 5  | 220 | 75 |
| AM1D-4809SH52Z   | 43.2-52.5 | 9   | 111 | 5200 | 27  | 5  | 220 | 76 |
| AM1D-4812SH52Z   | 43.2-52.5 | 12  | 83  | 5200 | 27  | 5  | 220 | 76 |
| AM1D-4815SH52Z   | 43.2-52.5 | 15  | 67  | 5200 | 27  | 5  | 220 | 77 |
| AM1D-4818SH52Z   | 43.2-52.5 | 18  | 56  | 5200 | 28  | 5  | 220 | 75 |
| AM1D-4824SH52Z   | 43.2-52.5 | 24  | 42  | 5200 | 27  | 6  | 220 | 76 |
| <b>Separator</b> |           |     |     |      |     |    |     |    |
| AM1D-0303SH60Z   | 2.97-3.63 | 3.3 | 303 | 6000 | 399 | 28 | 220 | 76 |
| AM1D-0305SH60Z   | 2.97-3.63 | 5   | 200 | 6000 | 389 | 22 | 220 | 78 |
| AM1D-0307SH60Z   | 2.97-3.63 | 7.2 | 139 | 6000 | 379 | 22 | 220 | 78 |
| AM1D-0309SH60Z   | 2.97-3.63 | 9   | 111 | 6000 | 379 | 35 | 220 | 80 |
| AM1D-0312SH60Z   | 2.97-3.63 | 12  | 83  | 6000 | 389 | 30 | 220 | 77 |
| AM1D-0315SH60Z   | 2.97-3.63 | 15  | 67  | 6000 | 389 | 30 | 220 | 78 |
| AM1D-0318SH60Z   | 2.97-3.63 | 18  | 56  | 6000 | 415 | 30 | 220 | 73 |
| AM1D-0324SH60Z   | 2.97-3.63 | 24  | 42  | 6000 | 415 | 30 | 220 | 73 |
| AM1D-0503SH60Z   | 4.5-5.5   | 3.3 | 303 | 6000 | 256 | 15 | 220 | 78 |
| AM1D-0505SH60Z   | 4.5-5.5   | 5   | 200 | 6000 | 247 | 17 | 220 | 81 |
| AM1D-0507SH60Z   | 4.5-5.5   | 7.2 | 139 | 6000 | 247 | 16 | 220 | 81 |
| AM1D-0509SH60Z   | 4.5-5.5   | 9   | 111 | 6000 | 244 | 15 | 220 | 82 |
| AM1D-0512SH60Z   | 4.5-5.5   | 12  | 83  | 6000 | 253 | 17 | 220 | 79 |
| AM1D-0515SH60Z   | 4.5-5.5   | 15  | 67  | 6000 | 233 | 17 | 220 | 86 |
| AM1D-0518SH60Z   | 4.5-5.5   | 18  | 56  | 6000 | 241 | 16 | 220 | 83 |
| AM1D-0524SH60Z   | 4.5-5.5   | 24  | 42  | 6000 | 244 | 20 | 220 | 82 |
| AM1D-1203SH60Z   | 10.8-13.2 | 3.3 | 303 | 6000 | 111 | 12 | 220 | 75 |
| AM1D-1205SH60Z   | 10.8-13.2 | 5   | 200 | 6000 | 105 | 14 | 220 | 79 |
| AM1D-1207SH60Z   | 10.8-13.2 | 7.2 | 139 | 6000 | 111 | 14 | 220 | 75 |
| AM1D-1209SH60Z   | 10.8-13.2 | 9   | 111 | 6000 | 104 | 9  | 220 | 80 |
| AM1D-1212SH60Z   | 10.8-13.2 | 12  | 83  | 6000 | 105 | 13 | 220 | 79 |
| AM1D-1215SH60Z   | 10.8-13.2 | 15  | 67  | 6000 | 102 | 10 | 220 | 82 |
| AM1D-1218SH60Z   | 10.8-13.2 | 18  | 56  | 6000 | 103 | 11 | 220 | 81 |
| AM1D-1224SH60Z   | 10.8-13.2 | 24  | 42  | 6000 | 110 | 20 | 220 | 76 |
| AM1D-1503SH60Z   | 13.5-16.5 | 3.3 | 303 | 6000 | 83  | 10 | 220 | 80 |
| AM1D-1505SH60Z   | 13.5-16.5 | 5   | 200 | 6000 | 82  | 7  | 220 | 81 |
| AM1D-1507SH60Z   | 13.5-16.5 | 7.2 | 139 | 6000 | 85  | 10 | 220 | 78 |
| AM1D-1509SH60Z   | 13.5-16.5 | 9   | 111 | 6000 | 85  | 10 | 220 | 78 |
| AM1D-1512SH60Z   | 13.5-16.5 | 12  | 83  | 6000 | 83  | 8  | 220 | 80 |
| AM1D-1515SH60Z   | 13.5-16.5 | 15  | 67  | 6000 | 84  | 12 | 220 | 79 |
| AM1D-1518SH60Z   | 13.5-16.5 | 18  | 56  | 6000 | 83  | 10 | 220 | 80 |
| AM1D-1524SH60Z   | 13.5-16.5 | 24  | 42  | 6000 | 80  | 5  | 220 | 83 |
| AM1D-2403SH60Z   | 21.6-26.4 | 3.3 | 303 | 6000 | 56  | 8  | 220 | 74 |

|                |           |     |     |      |    |   |     |    |
|----------------|-----------|-----|-----|------|----|---|-----|----|
| AM1D-2405SH60Z | 21.6-26.4 | 5   | 200 | 6000 | 54 | 6 | 220 | 77 |
| AM1D-2407SH60Z | 21.6-26.4 | 7.2 | 139 | 6000 | 57 | 6 | 220 | 73 |
| AM1D-2409SH60Z | 21.6-26.4 | 9   | 111 | 6000 | 55 | 6 | 220 | 76 |
| AM1D-2412SH60Z | 21.6-26.4 | 12  | 83  | 6000 | 53 | 6 | 220 | 78 |
| AM1D-2415SH60Z | 21.6-26.4 | 15  | 67  | 6000 | 52 | 5 | 220 | 80 |
| AM1D-2418SH60Z | 21.6-26.4 | 18  | 56  | 6000 | 51 | 5 | 220 | 82 |
| AM1D-2424SH60Z | 21.6-26.4 | 24  | 42  | 6000 | 52 | 8 | 220 | 80 |
| AM1D-4803SH60Z | 43.2-52.5 | 3.3 | 303 | 6000 | 29 | 5 | 220 | 73 |
| AM1D-4805SH60Z | 43.2-52.5 | 5   | 200 | 6000 | 29 | 5 | 220 | 73 |
| AM1D-4807SH60Z | 43.2-52.5 | 7.2 | 139 | 6000 | 28 | 5 | 220 | 75 |
| AM1D-4809SH60Z | 43.2-52.5 | 9   | 111 | 6000 | 27 | 5 | 220 | 76 |
| AM1D-4812SH60Z | 43.2-52.5 | 12  | 83  | 6000 | 27 | 5 | 220 | 76 |
| AM1D-4815SH60Z | 43.2-52.5 | 15  | 67  | 6000 | 27 | 5 | 220 | 77 |
| AM1D-4818SH60Z | 43.2-52.5 | 18  | 56  | 6000 | 28 | 5 | 220 | 75 |
| AM1D-4824SH60Z | 43.2-52.5 | 24  | 42  | 6000 | 27 | 6 | 220 | 76 |

**Models**  
**Dual output**

| Model       | Input Voltage (V) | Output Voltage (V) | Output Current Max (mA) | Isolation (VDC) | Input Current Full Load   No Load (mA) |    | Max Capacitive Load (uF) | Efficiency (%) |
|-------------|-------------------|--------------------|-------------------------|-----------------|--|----|--------------------------|----------------|
| AM1D-0303DZ | 2.97-3.63         | ±3.3               | ±152                    | 1000            | 459                                    | 30 | ±100                     | 66             |
| AM1D-0305DZ | 2.97-3.63         | ±5                 | ±100                    | 1000            | 433                                    | 30 | ±100                     | 70             |
| AM1D-0307DZ | 2.97-3.63         | ±7.2               | ±69                     | 1000            | 421                                    | 30 | ±100                     | 72             |
| AM1D-0309DZ | 2.97-3.63         | ±9                 | ±56                     | 1000            | 404                                    | 26 | ±100                     | 75             |
| AM1D-0312DZ | 2.97-3.63         | ±12                | ±42                     | 1000            | 394                                    | 30 | ±100                     | 77             |
| AM1D-0315DZ | 2.97-3.63         | ±15                | ±33                     | 1000            | 389                                    | 30 | ±100                     | 78             |
| AM1D-0318DZ | 2.97-3.63         | ±18                | ±28                     | 1000            | 404                                    | 25 | ±100                     | 75             |
| AM1D-0324DZ | 2.97-3.63         | ±24                | ±21                     | 1000            | 404                                    | 25 | ±100                     | 75             |
| AM1D-0503DZ | 4.5-5.5           | ±3.3               | ±152                    | 1000            | 299                                    | 20 | ±100                     | 67             |
| AM1D-0505DZ | 4.5-5.5           | ±5                 | ±100                    | 1000            | 270                                    | 20 | ±100                     | 74             |
| AM1D-0507DZ | 4.5-5.5           | ±7.2               | ±69                     | 1000            | 253                                    | 15 | ±100                     | 79             |
| AM1D-0509DZ | 4.5-5.5           | ±9                 | ±56                     | 1000            | 247                                    | 15 | ±100                     | 81             |
| AM1D-0512DZ | 4.5-5.5           | ±12                | ±42                     | 1000            | 250                                    | 20 | ±100                     | 80             |
| AM1D-0515DZ | 4.5-5.5           | ±15                | ±33                     | 1000            | 244                                    | 20 | ±100                     | 82             |
| AM1D-0518DZ | 4.5-5.5           | ±18                | ±27                     | 1000            | 247                                    | 22 | ±100                     | 81             |
| AM1D-0524DZ | 4.5-5.5           | ±24                | ±21                     | 1000            | 247                                    | 22 | ±100                     | 81             |
| AM1D-1203DZ | 10.8-13.2         | ±3.3               | ±152                    | 1000            | 123                                    | 13 | ±100                     | 68             |
| AM1D-1205DZ | 10.8-13.2         | ±5                 | ±100                    | 1000            | 123                                    | 10 | ±100                     | 74             |
| AM1D-1207DZ | 10.8-13.2         | ±7.2               | ±69                     | 1000            | 110                                    | 10 | ±100                     | 76             |
| AM1D-1209DZ | 10.8-13.2         | ±9                 | ±56                     | 1000            | 110                                    | 13 | ±100                     | 78             |
| AM1D-1212DZ | 10.8-13.2         | ±12                | ±42                     | 1000            | 102                                    | 10 | ±100                     | 82             |
| AM1D-1215DZ | 10.8-13.2         | ±15                | ±33                     | 1000            | 102                                    | 10 | ±100                     | 82             |
| AM1D-1218DZ | 10.8-13.2         | ±18                | ±28                     | 1000            | 102                                    | 10 | ±100                     | 82             |
| AM1D-1224DZ | 10.8-13.2         | ±24                | ±21                     | 1000            | 111                                    | 20 | ±100                     | 75             |
| AM1D-1503DZ | 13.5-16.5         | ±3.3               | ±152                    | 1000            | 89                                     | 20 | ±100                     | 75             |
| AM1D-1505DZ | 13.5-16.5         | ±5                 | ±100                    | 1000            | 89                                     | 20 | ±100                     | 75             |
| AM1D-1507DZ | 13.5-16.5         | ±7.2               | ±69                     | 1000            | 89                                     | 18 | ±100                     | 75             |
| AM1D-1509DZ | 13.5-16.5         | ±9                 | ±56                     | 1000            | 87                                     | 18 | ±100                     | 77             |
| AM1D-1512DZ | 13.5-16.5         | ±12                | ±42                     | 1000            | 87                                     | 20 | ±100                     | 77             |
| AM1D-1515DZ | 13.5-16.5         | ±15                | ±33                     | 1000            | 87                                     | 20 | ±100                     | 77             |
| AM1D-1518DZ | 13.5-16.5         | ±18                | ±28                     | 1000            | 89                                     | 15 | ±100                     | 75             |
| AM1D-1524DZ | 13.5-16.5         | ±24                | ±21                     | 1000            | 89                                     | 15 | ±100                     | 75             |
| AM1D-2403DZ | 21.6-26.4         | ±3.3               | ±152                    | 1000            | 62                                     | 7  | ±100                     | 67             |
| AM1D-2405DZ | 21.6-26.4         | ±5                 | ±100                    | 1000            | 56                                     | 6  | ±100                     | 74             |
| AM1D-2407DZ | 21.6-26.4         | ±7.2               | ±69                     | 1000            | 56                                     | 7  | ±100                     | 78             |
| AM1D-2409DZ | 21.6-26.4         | ±9                 | ±56                     | 1000            | 56                                     | 7  | ±100                     | 78             |
| AM1D-2412DZ | 21.6-26.4         | ±12                | ±42                     | 1000            | 52                                     | 6  | ±100                     | 80             |



|                |           |      |      |      |     |    |      |    |
|----------------|-----------|------|------|------|-----|----|------|----|
| AM1D-2415DZ    | 21.6-26.4 | ±15  | ±33  | 1000 | 52  | 8  | ±100 | 80 |
| AM1D-2418DZ    | 21.6-26.4 | ±18  | ±28  | 1000 | 51  | 6  | ±100 | 81 |
| AM1D-2424DZ    | 21.6-26.4 | ±24  | ±21  | 1000 | 51  | 8  | ±100 | 82 |
| AM1D-4803DZ    | 43.2-52.5 | ±3.3 | ±152 | 1000 | 34  | 6  | ±100 | 62 |
| AM1D-4805DZ    | 43.2-52.5 | ±5   | ±100 | 1000 | 31  | 5  | ±100 | 68 |
| AM1D-4807DZ    | 43.2-52.5 | ±7.2 | ±69  | 1000 | 29  | 5  | ±100 | 72 |
| AM1D-4809DZ    | 43.2-52.5 | ±9   | ±56  | 1000 | 29  | 5  | ±100 | 73 |
| AM1D-4812DZ    | 43.2-52.5 | ±12  | ±42  | 1000 | 28  | 6  | ±100 | 74 |
| AM1D-4815DZ    | 43.2-52.5 | ±15  | ±33  | 1000 | 27  | 5  | ±100 | 77 |
| AM1D-4818DZ    | 43.2-52.5 | ±18  | ±28  | 1000 | 28  | 5  | ±100 | 75 |
| AM1D-4824DZ    | 43.2-52.5 | ±24  | ±21  | 1000 | 28  | 6  | ±100 | 74 |
| AM1D-0303DH30Z | 2.97-3.63 | ±3.3 | ±152 | 3000 | 459 | 30 | ±100 | 66 |
| AM1D-0305DH30Z | 2.97-3.63 | ±5   | ±100 | 3000 | 433 | 30 | ±100 | 70 |
| AM1D-0307DH30Z | 2.97-3.63 | ±7.2 | ±69  | 3000 | 421 | 30 | ±100 | 72 |
| AM1D-0309DH30Z | 2.97-3.63 | ±9   | ±56  | 3000 | 404 | 26 | ±100 | 75 |
| AM1D-0312DH30Z | 2.97-3.63 | ±12  | ±42  | 3000 | 394 | 30 | ±100 | 77 |
| AM1D-0315DH30Z | 2.97-3.63 | ±15  | ±33  | 3000 | 389 | 30 | ±100 | 78 |
| AM1D-0318DH30Z | 2.97-3.63 | ±18  | ±28  | 3000 | 404 | 25 | ±100 | 75 |
| AM1D-0324DH30Z | 2.97-3.63 | ±24  | ±21  | 3000 | 404 | 25 | ±100 | 75 |
| AM1D-0503DH30Z | 4.5-5.5   | ±3.3 | ±152 | 3000 | 299 | 20 | ±100 | 67 |
| AM1D-0505DH30Z | 4.5-5.5   | ±5   | ±100 | 3000 | 270 | 20 | ±100 | 74 |
| AM1D-0507DH30Z | 4.5-5.5   | ±7.2 | ±69  | 3000 | 253 | 15 | ±100 | 79 |
| AM1D-0509DH30Z | 4.5-5.5   | ±9   | ±56  | 3000 | 247 | 15 | ±100 | 81 |
| AM1D-0512DH30Z | 4.5-5.5   | ±12  | ±42  | 3000 | 250 | 20 | ±100 | 80 |
| AM1D-0515DH30Z | 4.5-5.5   | ±15  | ±33  | 3000 | 244 | 20 | ±100 | 82 |
| AM1D-0518DH30Z | 4.5-5.5   | ±18  | ±27  | 3000 | 247 | 22 | ±100 | 81 |
| AM1D-0524DH30Z | 4.5-5.5   | ±24  | ±21  | 3000 | 247 | 22 | ±100 | 81 |
| AM1D-1203DH30Z | 10.8-13.2 | ±3.3 | ±152 | 3000 | 123 | 13 | ±100 | 68 |
| AM1D-1205DH30Z | 10.8-13.2 | ±5   | ±100 | 3000 | 123 | 10 | ±100 | 74 |
| AM1D-1207DH30Z | 10.8-13.2 | ±7.2 | ±69  | 3000 | 110 | 10 | ±100 | 76 |
| AM1D-1209DH30Z | 10.8-13.2 | ±9   | ±56  | 3000 | 110 | 13 | ±100 | 78 |
| AM1D-1212DH30Z | 10.8-13.2 | ±12  | ±42  | 3000 | 102 | 10 | ±100 | 82 |
| AM1D-1215DH30Z | 10.8-13.2 | ±15  | ±33  | 3000 | 102 | 10 | ±100 | 82 |
| AM1D-1218DH30Z | 10.8-13.2 | ±18  | ±28  | 3000 | 102 | 10 | ±100 | 82 |
| AM1D-1224DH30Z | 10.8-13.2 | ±24  | ±21  | 3000 | 111 | 20 | ±100 | 75 |
| AM1D-1503DH30Z | 13.5-16.5 | ±3.3 | ±152 | 3000 | 89  | 20 | ±100 | 75 |
| AM1D-1505DH30Z | 13.5-16.5 | ±5   | ±100 | 3000 | 89  | 20 | ±100 | 75 |
| AM1D-1507DH30Z | 13.5-16.5 | ±7.2 | ±69  | 3000 | 89  | 18 | ±100 | 75 |
| AM1D-1509DH30Z | 13.5-16.5 | ±9   | ±56  | 3000 | 87  | 18 | ±100 | 77 |
| AM1D-1512DH30Z | 13.5-16.5 | ±12  | ±42  | 3000 | 87  | 20 | ±100 | 77 |
| AM1D-1515DH30Z | 13.5-16.5 | ±15  | ±33  | 3000 | 87  | 20 | ±100 | 77 |
| AM1D-1518DH30Z | 13.5-16.5 | ±18  | ±28  | 3000 | 89  | 15 | ±100 | 75 |
| AM1D-1524DH30Z | 13.5-16.5 | ±24  | ±21  | 3000 | 89  | 15 | ±100 | 75 |
| AM1D-2403DH30Z | 21.6-26.4 | ±3.3 | ±152 | 3000 | 62  | 7  | ±100 | 67 |
| AM1D-2405DH30Z | 21.6-26.4 | ±5   | ±100 | 3000 | 56  | 6  | ±100 | 74 |
| AM1D-2407DH30Z | 21.6-26.4 | ±7.2 | ±69  | 3000 | 56  | 7  | ±100 | 78 |
| AM1D-2409DH30Z | 21.6-26.4 | ±9   | ±56  | 3000 | 56  | 7  | ±100 | 78 |
| AM1D-2412DH30Z | 21.6-26.4 | ±12  | ±42  | 3000 | 52  | 6  | ±100 | 80 |
| AM1D-2415DH30Z | 21.6-26.4 | ±15  | ±33  | 3000 | 52  | 8  | ±100 | 80 |
| AM1D-2418DH30Z | 21.6-26.4 | ±18  | ±28  | 3000 | 51  | 6  | ±100 | 81 |
| AM1D-2424DH30Z | 21.6-26.4 | ±24  | ±21  | 3000 | 51  | 8  | ±100 | 82 |
| AM1D-4803DH30Z | 43.2-52.5 | ±3.3 | ±152 | 3000 | 34  | 6  | ±100 | 62 |
| AM1D-4805DH30Z | 43.2-52.5 | ±5   | ±100 | 3000 | 31  | 5  | ±100 | 68 |
| AM1D-4807DH30Z | 43.2-52.5 | ±7.2 | ±69  | 3000 | 29  | 5  | ±100 | 72 |
| AM1D-4809DH30Z | 43.2-52.5 | ±9   | ±56  | 3000 | 29  | 5  | ±100 | 73 |
| AM1D-4812DH30Z | 43.2-52.5 | ±12  | ±42  | 3000 | 28  | 6  | ±100 | 74 |
| AM1D-4815DH30Z | 43.2-52.5 | ±15  | ±33  | 3000 | 27  | 5  | ±100 | 77 |
| AM1D-4818DH30Z | 43.2-52.5 | ±18  | ±28  | 3000 | 28  | 5  | ±100 | 75 |
| AM1D-4824DH30Z | 43.2-52.5 | ±24  | ±21  | 3000 | 28  | 6  | ±100 | 74 |

|                |           |      |      |      |     |    |      |    |
|----------------|-----------|------|------|------|-----|----|------|----|
| AM1D-0303DH40Z | 2.97-3.63 | ±3.3 | ±152 | 4000 | 459 | 30 | ±100 | 66 |
| AM1D-0305DH40Z | 2.97-3.63 | ±5   | ±100 | 4000 | 433 | 30 | ±100 | 70 |
| AM1D-0307DH40Z | 2.97-3.63 | ±7.2 | ±69  | 4000 | 421 | 30 | ±100 | 72 |
| AM1D-0309DH40Z | 2.97-3.63 | ±9   | ±56  | 4000 | 404 | 26 | ±100 | 75 |
| AM1D-0312DH40Z | 2.97-3.63 | ±12  | ±42  | 4000 | 394 | 30 | ±100 | 77 |
| AM1D-0315DH40Z | 2.97-3.63 | ±15  | ±33  | 4000 | 389 | 30 | ±100 | 78 |
| AM1D-0318DH40Z | 2.97-3.63 | ±18  | ±28  | 4000 | 404 | 25 | ±100 | 75 |
| AM1D-0324DH40Z | 2.97-3.63 | ±24  | ±21  | 4000 | 404 | 25 | ±100 | 75 |
| AM1D-0503DH40Z | 4.5-5.5   | ±3.3 | ±152 | 4000 | 299 | 20 | ±100 | 67 |
| AM1D-0505DH40Z | 4.5-5.5   | ±5   | ±100 | 4000 | 270 | 20 | ±100 | 74 |
| AM1D-0507DH40Z | 4.5-5.5   | ±7.2 | ±69  | 4000 | 253 | 15 | ±100 | 79 |
| AM1D-0509DH40Z | 4.5-5.5   | ±9   | ±56  | 4000 | 247 | 15 | ±100 | 81 |
| AM1D-0512DH40Z | 4.5-5.5   | ±12  | ±42  | 4000 | 250 | 20 | ±100 | 80 |
| AM1D-0515DH40Z | 4.5-5.5   | ±15  | ±33  | 4000 | 244 | 20 | ±100 | 82 |
| AM1D-0518DH40Z | 4.5-5.5   | ±18  | ±27  | 4000 | 247 | 22 | ±100 | 81 |
| AM1D-0524DH40Z | 4.5-5.5   | ±24  | ±21  | 4000 | 247 | 22 | ±100 | 81 |
| AM1D-1203DH40Z | 10.8-13.2 | ±3.3 | ±152 | 4000 | 123 | 13 | ±100 | 68 |
| AM1D-1205DH40Z | 10.8-13.2 | ±5   | ±100 | 4000 | 123 | 10 | ±100 | 74 |
| AM1D-1207DH40Z | 10.8-13.2 | ±7.2 | ±69  | 4000 | 110 | 10 | ±100 | 76 |
| AM1D-1209DH40Z | 10.8-13.2 | ±9   | ±56  | 4000 | 110 | 13 | ±100 | 78 |
| AM1D-1212DH40Z | 10.8-13.2 | ±12  | ±42  | 4000 | 102 | 10 | ±100 | 82 |
| AM1D-1215DH40Z | 10.8-13.2 | ±15  | ±33  | 4000 | 102 | 10 | ±100 | 82 |
| AM1D-1218DH40Z | 10.8-13.2 | ±18  | ±28  | 4000 | 102 | 10 | ±100 | 82 |
| AM1D-1224DH40Z | 10.8-13.2 | ±24  | ±21  | 4000 | 111 | 20 | ±100 | 75 |
| AM1D-1503DH40Z | 13.5-16.5 | ±3.3 | ±152 | 4000 | 89  | 20 | ±100 | 75 |
| AM1D-1505DH40Z | 13.5-16.5 | ±5   | ±100 | 4000 | 89  | 20 | ±100 | 75 |
| AM1D-1507DH40Z | 13.5-16.5 | ±7.2 | ±69  | 4000 | 89  | 18 | ±100 | 75 |
| AM1D-1509DH40Z | 13.5-16.5 | ±9   | ±56  | 4000 | 87  | 18 | ±100 | 77 |
| AM1D-1512DH40Z | 13.5-16.5 | ±12  | ±42  | 4000 | 87  | 20 | ±100 | 77 |
| AM1D-1515DH40Z | 13.5-16.5 | ±15  | ±33  | 4000 | 87  | 20 | ±100 | 77 |
| AM1D-1518DH40Z | 13.5-16.5 | ±18  | ±28  | 4000 | 89  | 15 | ±100 | 75 |
| AM1D-1524DH40Z | 13.5-16.5 | ±24  | ±21  | 4000 | 89  | 15 | ±100 | 75 |
| AM1D-2403DH40Z | 21.6-26.4 | ±3.3 | ±152 | 4000 | 62  | 7  | ±100 | 67 |
| AM1D-2405DH40Z | 21.6-26.4 | ±5   | ±100 | 4000 | 56  | 6  | ±100 | 74 |
| AM1D-2407DH40Z | 21.6-26.4 | ±7.2 | ±69  | 4000 | 56  | 7  | ±100 | 78 |
| AM1D-2409DH40Z | 21.6-26.4 | ±9   | ±56  | 4000 | 56  | 7  | ±100 | 78 |
| AM1D-2412DH40Z | 21.6-26.4 | ±12  | ±42  | 4000 | 52  | 6  | ±100 | 80 |
| AM1D-2415DH40Z | 21.6-26.4 | ±15  | ±33  | 4000 | 52  | 8  | ±100 | 80 |
| AM1D-2418DH40Z | 21.6-26.4 | ±18  | ±28  | 4000 | 51  | 6  | ±100 | 81 |
| AM1D-2424DH40Z | 21.6-26.4 | ±24  | ±21  | 4000 | 51  | 8  | ±100 | 82 |
| AM1D-4803DH40Z | 43.2-52.5 | ±3.3 | ±152 | 4000 | 34  | 6  | ±100 | 62 |
| AM1D-4805DH40Z | 43.2-52.5 | ±5   | ±100 | 4000 | 31  | 5  | ±100 | 68 |
| AM1D-4807DH40Z | 43.2-52.5 | ±7.2 | ±69  | 4000 | 29  | 5  | ±100 | 72 |
| AM1D-4809DH40Z | 43.2-52.5 | ±9   | ±56  | 4000 | 29  | 5  | ±100 | 73 |
| AM1D-4812DH40Z | 43.2-52.5 | ±12  | ±42  | 4000 | 28  | 6  | ±100 | 74 |
| AM1D-4815DH40Z | 43.2-52.5 | ±15  | ±33  | 4000 | 27  | 5  | ±100 | 77 |
| AM1D-4818DH40Z | 43.2-52.5 | ±18  | ±28  | 4000 | 28  | 5  | ±100 | 75 |
| AM1D-4824DH40Z | 43.2-52.5 | ±24  | ±21  | 4000 | 28  | 6  | ±100 | 74 |
| AM1D-0303DH52Z | 2.97-3.63 | ±3.3 | ±152 | 5200 | 459 | 30 | ±100 | 66 |
| AM1D-0305DH52Z | 2.97-3.63 | ±5   | ±100 | 5200 | 433 | 30 | ±100 | 70 |
| AM1D-0307DH52Z | 2.97-3.63 | ±7.2 | ±69  | 5200 | 421 | 30 | ±100 | 72 |
| AM1D-0309DH52Z | 2.97-3.63 | ±9   | ±56  | 5200 | 404 | 26 | ±100 | 75 |
| AM1D-0312DH52Z | 2.97-3.63 | ±12  | ±42  | 5200 | 394 | 30 | ±100 | 77 |
| AM1D-0315DH52Z | 2.97-3.63 | ±15  | ±33  | 5200 | 389 | 30 | ±100 | 78 |
| AM1D-0318DH52Z | 2.97-3.63 | ±18  | ±28  | 5200 | 404 | 25 | ±100 | 75 |
| AM1D-0324DH52Z | 2.97-3.63 | ±24  | ±21  | 5200 | 404 | 25 | ±100 | 75 |
| AM1D-0503DH52Z | 4.5-5.5   | ±3.3 | ±152 | 5200 | 299 | 20 | ±100 | 67 |
| AM1D-0505DH52Z | 4.5-5.5   | ±5   | ±100 | 5200 | 270 | 20 | ±100 | 74 |
| AM1D-0507DH52Z | 4.5-5.5   | ±7.2 | ±69  | 5200 | 253 | 15 | ±100 | 79 |
| AM1D-0509DH52Z | 4.5-5.5   | ±9   | ±56  | 5200 | 247 | 15 | ±100 | 81 |

|                |           |      |      |      |     |    |      |    |
|----------------|-----------|------|------|------|-----|----|------|----|
| AM1D-0512DH52Z | 4.5-5.5   | ±12  | ±42  | 5200 | 250 | 20 | ±100 | 80 |
| AM1D-0515DH52Z | 4.5-5.5   | ±15  | ±33  | 5200 | 244 | 20 | ±100 | 82 |
| AM1D-0518DH52Z | 4.5-5.5   | ±18  | ±27  | 5200 | 247 | 22 | ±100 | 81 |
| AM1D-0524DH52Z | 4.5-5.5   | ±24  | ±21  | 5200 | 247 | 22 | ±100 | 81 |
| AM1D-1203DH52Z | 10.8-13.2 | ±3.3 | ±152 | 5200 | 123 | 13 | ±100 | 68 |
| AM1D-1205DH52Z | 10.8-13.2 | ±5   | ±100 | 5200 | 123 | 10 | ±100 | 74 |
| AM1D-1207DH52Z | 10.8-13.2 | ±7.2 | ±69  | 5200 | 110 | 10 | ±100 | 76 |
| AM1D-1209DH52Z | 10.8-13.2 | ±9   | ±56  | 5200 | 110 | 13 | ±100 | 78 |
| AM1D-1212DH52Z | 10.8-13.2 | ±12  | ±42  | 5200 | 102 | 10 | ±100 | 82 |
| AM1D-1215DH52Z | 10.8-13.2 | ±15  | ±33  | 5200 | 102 | 10 | ±100 | 82 |
| AM1D-1218DH52Z | 10.8-13.2 | ±18  | ±28  | 5200 | 102 | 10 | ±100 | 82 |
| AM1D-1224DH52Z | 10.8-13.2 | ±24  | ±21  | 5200 | 111 | 20 | ±100 | 75 |
| AM1D-1503DH52Z | 13.5-16.5 | ±3.3 | ±152 | 5200 | 89  | 20 | ±100 | 75 |
| AM1D-1505DH52Z | 13.5-16.5 | ±5   | ±100 | 5200 | 89  | 20 | ±100 | 75 |
| AM1D-1507DH52Z | 13.5-16.5 | ±7.2 | ±69  | 5200 | 89  | 18 | ±100 | 75 |
| AM1D-1509DH52Z | 13.5-16.5 | ±9   | ±56  | 5200 | 87  | 18 | ±100 | 77 |
| AM1D-1512DH52Z | 13.5-16.5 | ±12  | ±42  | 5200 | 87  | 20 | ±100 | 77 |
| AM1D-1515DH52Z | 13.5-16.5 | ±15  | ±33  | 5200 | 87  | 20 | ±100 | 77 |
| AM1D-1518DH52Z | 13.5-16.5 | ±18  | ±28  | 5200 | 89  | 15 | ±100 | 75 |
| AM1D-1524DH52Z | 13.5-16.5 | ±24  | ±21  | 5200 | 89  | 15 | ±100 | 75 |
| AM1D-2403DH52Z | 21.6-26.4 | ±3.3 | ±152 | 5200 | 62  | 7  | ±100 | 67 |
| AM1D-2405DH52Z | 21.6-26.4 | ±5   | ±100 | 5200 | 56  | 6  | ±100 | 74 |
| AM1D-2407DH52Z | 21.6-26.4 | ±7.2 | ±69  | 5200 | 56  | 7  | ±100 | 78 |
| AM1D-2409DH52Z | 21.6-26.4 | ±9   | ±56  | 5200 | 56  | 7  | ±100 | 78 |
| AM1D-2412DH52Z | 21.6-26.4 | ±12  | ±42  | 5200 | 52  | 6  | ±100 | 80 |
| AM1D-2415DH52Z | 21.6-26.4 | ±15  | ±33  | 5200 | 52  | 8  | ±100 | 80 |
| AM1D-2418DH52Z | 21.6-26.4 | ±18  | ±28  | 5200 | 51  | 6  | ±100 | 81 |
| AM1D-2424DH52Z | 21.6-26.4 | ±24  | ±21  | 5200 | 51  | 8  | ±100 | 82 |
| AM1D-4803DH52Z | 43.2-52.5 | ±3.3 | ±152 | 5200 | 34  | 6  | ±100 | 62 |
| AM1D-4805DH52Z | 43.2-52.5 | ±5   | ±100 | 5200 | 31  | 5  | ±100 | 68 |
| AM1D-4807DH52Z | 43.2-52.5 | ±7.2 | ±69  | 5200 | 29  | 5  | ±100 | 72 |
| AM1D-4809DH52Z | 43.2-52.5 | ±9   | ±56  | 5200 | 29  | 5  | ±100 | 73 |
| AM1D-4812DH52Z | 43.2-52.5 | ±12  | ±42  | 5200 | 28  | 6  | ±100 | 74 |
| AM1D-4815DH52Z | 43.2-52.5 | ±15  | ±33  | 5200 | 27  | 5  | ±100 | 77 |
| AM1D-4818DH52Z | 43.2-52.5 | ±18  | ±28  | 5200 | 28  | 5  | ±100 | 75 |
| AM1D-4824DH52Z | 43.2-52.5 | ±24  | ±21  | 5200 | 28  | 6  | ±100 | 74 |
| AM1D-0303DH60Z | 2.97-3.63 | ±3.3 | ±152 | 6000 | 459 | 30 | ±100 | 66 |
| AM1D-0305DH60Z | 2.97-3.63 | ±5   | ±100 | 6000 | 433 | 30 | ±100 | 70 |
| AM1D-0307DH60Z | 2.97-3.63 | ±7.2 | ±69  | 6000 | 421 | 30 | ±100 | 72 |
| AM1D-0309DH60Z | 2.97-3.63 | ±9   | ±56  | 6000 | 404 | 26 | ±100 | 75 |
| AM1D-0312DH60Z | 2.97-3.63 | ±12  | ±42  | 6000 | 394 | 30 | ±100 | 77 |
| AM1D-0315DH60Z | 2.97-3.63 | ±15  | ±33  | 6000 | 389 | 30 | ±100 | 78 |
| AM1D-0318DH60Z | 2.97-3.63 | ±18  | ±28  | 6000 | 404 | 25 | ±100 | 75 |
| AM1D-0324DH60Z | 2.97-3.63 | ±24  | ±21  | 6000 | 404 | 25 | ±100 | 75 |
| AM1D-0503DH60Z | 4.5-5.5   | ±3.3 | ±152 | 6000 | 299 | 20 | ±100 | 67 |
| AM1D-0505DH60Z | 4.5-5.5   | ±5   | ±100 | 6000 | 270 | 20 | ±100 | 74 |
| AM1D-0507DH60Z | 4.5-5.5   | ±7.2 | ±69  | 6000 | 253 | 15 | ±100 | 79 |
| AM1D-0509DH60Z | 4.5-5.5   | ±9   | ±56  | 6000 | 247 | 15 | ±100 | 81 |
| AM1D-0512DH60Z | 4.5-5.5   | ±12  | ±42  | 6000 | 250 | 20 | ±100 | 80 |
| AM1D-0515DH60Z | 4.5-5.5   | ±15  | ±33  | 6000 | 244 | 20 | ±100 | 82 |
| AM1D-0518DH60Z | 4.5-5.5   | ±18  | ±27  | 6000 | 247 | 22 | ±100 | 81 |
| AM1D-0524DH60Z | 4.5-5.5   | ±24  | ±21  | 6000 | 247 | 22 | ±100 | 81 |
| AM1D-1203DH60Z | 10.8-13.2 | ±3.3 | ±152 | 6000 | 123 | 13 | ±100 | 68 |
| AM1D-1205DH60Z | 10.8-13.2 | ±5   | ±100 | 6000 | 123 | 10 | ±100 | 74 |
| AM1D-1207DH60Z | 10.8-13.2 | ±7.2 | ±69  | 6000 | 110 | 10 | ±100 | 76 |
| AM1D-1209DH60Z | 10.8-13.2 | ±9   | ±56  | 6000 | 110 | 13 | ±100 | 78 |
| AM1D-1212DH60Z | 10.8-13.2 | ±12  | ±42  | 6000 | 102 | 10 | ±100 | 82 |
| AM1D-1215DH60Z | 10.8-13.2 | ±15  | ±33  | 6000 | 102 | 10 | ±100 | 82 |
| AM1D-1218DH60Z | 10.8-13.2 | ±18  | ±28  | 6000 | 102 | 10 | ±100 | 82 |
| AM1D-1224DH60Z | 10.8-13.2 | ±24  | ±21  | 6000 | 111 | 20 | ±100 | 75 |



|                |           |      |      |      |    |    |      |    |
|----------------|-----------|------|------|------|----|----|------|----|
| AM1D-1503DH60Z | 13.5-16.5 | ±3.3 | ±152 | 6000 | 89 | 20 | ±100 | 75 |
| AM1D-1505DH60Z | 13.5-16.5 | ±5   | ±100 | 6000 | 89 | 20 | ±100 | 75 |
| AM1D-1507DH60Z | 13.5-16.5 | ±7.2 | ±69  | 6000 | 89 | 18 | ±100 | 75 |
| AM1D-1509DH60Z | 13.5-16.5 | ±9   | ±56  | 6000 | 87 | 18 | ±100 | 77 |
| AM1D-1512DH60Z | 13.5-16.5 | ±12  | ±42  | 6000 | 87 | 20 | ±100 | 77 |
| AM1D-1515DH60Z | 13.5-16.5 | ±15  | ±33  | 6000 | 87 | 20 | ±100 | 77 |
| AM1D-1518DH60Z | 13.5-16.5 | ±18  | ±28  | 6000 | 89 | 15 | ±100 | 75 |
| AM1D-1524DH60Z | 13.5-16.5 | ±24  | ±21  | 6000 | 89 | 15 | ±100 | 75 |
| AM1D-2403DH60Z | 21.6-26.4 | ±3.3 | ±152 | 6000 | 62 | 7  | ±100 | 67 |
| AM1D-2405DH60Z | 21.6-26.4 | ±5   | ±100 | 6000 | 56 | 6  | ±100 | 74 |
| AM1D-2407DH60Z | 21.6-26.4 | ±7.2 | ±69  | 6000 | 56 | 7  | ±100 | 78 |
| AM1D-2409DH60Z | 21.6-26.4 | ±9   | ±56  | 6000 | 56 | 7  | ±100 | 78 |
| AM1D-2412DH60Z | 21.6-26.4 | ±12  | ±42  | 6000 | 52 | 6  | ±100 | 80 |
| AM1D-2415DH60Z | 21.6-26.4 | ±15  | ±33  | 6000 | 52 | 8  | ±100 | 80 |
| AM1D-2418DH60Z | 21.6-26.4 | ±18  | ±28  | 6000 | 51 | 6  | ±100 | 81 |
| AM1D-2424DH60Z | 21.6-26.4 | ±24  | ±21  | 6000 | 51 | 8  | ±100 | 82 |
| AM1D-4803DH60Z | 43.2-52.5 | ±3.3 | ±152 | 6000 | 34 | 6  | ±100 | 62 |
| AM1D-4805DH60Z | 43.2-52.5 | ±5   | ±100 | 6000 | 31 | 5  | ±100 | 68 |
| AM1D-4807DH60Z | 43.2-52.5 | ±7.2 | ±69  | 6000 | 29 | 5  | ±100 | 72 |
| AM1D-4809DH60Z | 43.2-52.5 | ±9   | ±56  | 6000 | 29 | 5  | ±100 | 73 |
| AM1D-4812DH60Z | 43.2-52.5 | ±12  | ±42  | 6000 | 28 | 6  | ±100 | 74 |
| AM1D-4815DH60Z | 43.2-52.5 | ±15  | ±33  | 6000 | 27 | 5  | ±100 | 77 |
| AM1D-4818DH60Z | 43.2-52.5 | ±18  | ±28  | 6000 | 28 | 5  | ±100 | 75 |
| AM1D-4824DH60Z | 43.2-52.5 | ±24  | ±21  | 6000 | 28 | 6  | ±100 | 74 |

Models

Dual separated output

| Model         | Input Voltage (V) | Output Voltage (V) | Output Current max (mA) | Isolation (VDC) | Input Current Full Load   No Load (mA) |    | Max Capacitive Load (uF) | Efficiency (%) |
|---------------|-------------------|--------------------|-------------------------|-----------------|--|----|--------------------------|----------------|
| AM1D-050303DZ | 4.5-5.5           | 3.3/3.3            | 151/151                 | 1000            | 256                                    | 15 | 100                      | 75             |
| AM1D-050505DZ | 4.5-5.5           | 5/5                | 100/100                 | 1000            | 247                                    | 17 | 100                      | 75             |
| AM1D-050707DZ | 4.5-5.5           | 7.2/7.2            | 69/69                   | 1000            | 247                                    | 16 | 100                      | 77             |
| AM1D-050909DZ | 4.5-5.5           | 9/9                | 56/56                   | 1000            | 244                                    | 15 | 100                      | 79             |
| AM1D-051212DZ | 4.5-5.5           | 12/12              | 42/42                   | 1000            | 253                                    | 17 | 100                      | 80             |
| AM1D-051515DZ | 4.5-5.5           | 15/15              | 33 /33                  | 1000            | 233                                    | 17 | 100                      | 82             |
| AM1D-051818DZ | 4.5-5.5           | 18/18              | 27/27                   | 1000            | 241                                    | 16 | 100                      | 79             |
| AM1D-052424DZ | 4.5-5.5           | 24/24              | 20/20                   | 1000            | 244                                    | 20 | 100                      | 77             |
| AM1D-120303DZ | 10.8-13.2         | 3.3/3.3            | 151/151                 | 1000            | 111                                    | 12 | 100                      | 65             |
| AM1D-120505DZ | 10.8-13.2         | 5/5                | 100/100                 | 1000            | 105                                    | 14 | 100                      | 75             |
| AM1D-120707DZ | 10.8-13.2         | 7.2/7.2            | 69/69                   | 1000            | 111                                    | 14 | 100                      | 77             |
| AM1D-120909DZ | 10.8-13.2         | 9/9                | 56/56                   | 1000            | 104                                    | 9  | 100                      | 77             |
| AM1D-121212DZ | 10.8-13.2         | 12/12              | 42/42                   | 1000            | 105                                    | 13 | 100                      | 80             |
| AM1D-121515DZ | 10.8-13.2         | 15/15              | 33 /33                  | 1000            | 102                                    | 10 | 100                      | 81             |
| AM1D-121818DZ | 10.8-13.2         | 18/18              | 27/27                   | 1000            | 103                                    | 11 | 100                      | 75             |
| AM1D-122424DZ | 10.8-13.2         | 24/24              | 20/20                   | 1000            | 110                                    | 20 | 100                      | 74             |
| AM1D-240303DZ | 21.6-26.4         | 3.3/3.3            | 151/151                 | 1000            | 56                                     | 8  | 100                      | 66             |
| AM1D-240505DZ | 21.6-26.4         | 5/5                | 100/100                 | 1000            | 54                                     | 6  | 100                      | 75             |
| AM1D-240707DZ | 21.6-26.4         | 7.2/7.2            | 69/69                   | 1000            | 57                                     | 6  | 100                      | 77             |
| AM1D-240909DZ | 21.6-26.4         | 9/9                | 56/56                   | 1000            | 55                                     | 6  | 100                      | 79             |
| AM1D-241212DZ | 21.6-26.4         | 12/12              | 42/42                   | 1000            | 53                                     | 6  | 100                      | 82             |
| AM1D-241515DZ | 21.6-26.4         | 15/15              | 33 /33                  | 1000            | 52                                     | 5  | 100                      | 82             |
| AM1D-241818DZ | 21.6-26.4         | 18/18              | 27/27                   | 1000            | 51                                     | 5  | 100                      | 78             |
| AM1D-242424DZ | 21.6-26.4         | 24/24              | 20/20                   | 1000            | 52                                     | 8  | 100                      | 76             |

NOTE: All specifications in this datasheet are measured at an ambient temperature of 25°C, humidity<75%, nominal input voltage and at rated output load unless otherwise specified.

### Input Specifications

| Parameters                     | Nominal   | Typical   | Maximum | Units  |
|--------------------------------|-----------|-----------|---------|--------|
| Voltage range                  | 3.3       | 2.97-3.63 |         | VDC    |
|                                | 5         | 4.5-5.5   |         |        |
|                                | 12        | 10.8-13.2 |         |        |
|                                | 15        | 13.5-16.5 |         |        |
|                                | 24        | 21.6-26.4 |         |        |
|                                | 48        | 43.2-52.5 |         |        |
| Filter                         | Capacitor |           |         |        |
| Input reflected input current* |           | 20        |         | mA p-p |
| Absolute Maximum Rating        | 3.3 Vin   | 0-6       |         | VDC    |
|                                | 5 Vin     | 0-7       |         |        |
|                                | 12 Vin    | 0-15      |         |        |
|                                | 15 Vin    | 0-20      |         |        |
|                                | 24 Vin    | 0-28      |         |        |
|                                | 48 Vin    | 0-54      |         |        |
| Peak Input Voltage time        |           | 100       |         | ms     |

\*Measured with 12 $\mu$ H source inductance and 47 $\mu$ F (ESR<1 $\Omega$  at 100KHz) source capacitor.

NOTE: For front end protection, a slow blow fuse should be added: 800mA for 3.3V input models, 500mA for 5V input models and 300mA for all others.

### Isolation Specifications

| Parameters         | Conditions | Typical | Rated  | Units |
|--------------------|------------|---------|--|-------|
| Tested I/O voltage | 60 sec     |         | 1000 (all models), 3000, 4000, 5200 & 6000 (single / dual) | VDC   |
| Resistance         |            | > 1000  |  | MOhm  |
| Capacitance        |            | 60      |  | pF    |

### Output Specifications

| Parameters                          | Conditions         | Typical           | Maximum  | Units  |
|-------------------------------------|--------------------|-------------------|----------|--------|
| Voltage accuracy                    |                    |                   | $\pm 3$  | %      |
| Short Circuit protection            |                    | Momentary (1 sec) |          |        |
| Line voltage regulation             | For 1.0% of Vin    | $\pm 1.2$         |          | %      |
| Load voltage regulation             | load 20~100%       |                   | $\pm 10$ | %      |
| Load voltage regulation 3.3V output | load 20~100%       |                   | $\pm 20$ | %      |
| Temperature coefficient             |                    | $\pm 0.02$        |          | %/°C   |
| Ripple & Noise                      | At 20MHz Bandwidth |                   | 75       | mV p-p |

### General Specifications

| Parameters             | Conditions                             | Typical   | Maximum | Units |
|------------------------|--|---|---------|-------|
| Switching frequency    | 100% load, variable                    | 80  |         | KHz   |
| Operating temperature  | Full Load without Derating             | -40 to +85  |         | °C    |
| Storage temperature    |  | -40 to +125   |         | °C    |
| Max Case temperature   |  |   | +100    | °C    |
| Cooling                | Free air convection                    |   |         |       |
| Humidity               |  |   | 95      | %     |
| Case material          | Non-conductive black plastic UL 94 V-0 |   |         |       |
| Weight                 |  | 2.3   |         | g     |
| Dimensions (L x W x H) |  | 0.76 x 0.24 x 0.39 inch 19.50 x 6.00 x 10.00 mm         |         |       |
| MTBF                   |  | >1 121 000 hrs (MIL-HDBK -217F, Ground Benign, t=+25°C) |         |       |

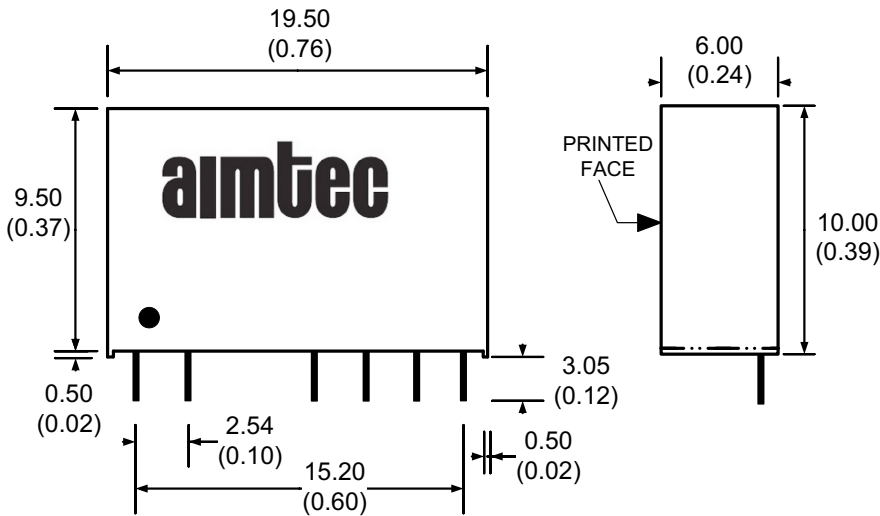
### Safety Specifications

| Standards        |  |
|------------------|--|
| Agency approvals | cULus & CE (with exception of dual separated models)   |
| Safety           | EN/UL 60950-1, 62368-1   |
|                  | EN55032, class B, with the recommended EMI circuit (with exception of dual separated models) |
|                  | EN55024 (Noise Immunity)   |
|                  | IEC61000-4-2(ESD) Criteria A   |
|                  | IEC61000-4-3(Radiated immunity) Criteria A   |
|                  | IEC61000-4-4(EFT) Criteria A, with the recommended EFT/Surge external circuit                |
|                  | IEC61000-4-5(Surge) Criteria A, with the recommended EFT/Surge external circuit              |
|                  | IEC61000-4-6(CS) Criteria A  |
|                  | IEC61000-4-8(PFMF) Criteria A  |

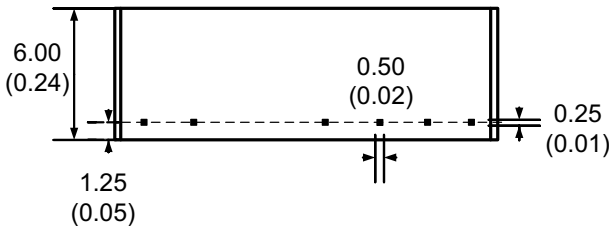
### Pin Out Specifications

| Pin | Single 1000 VDC | Dual 1000 VDC | Dual Separated 1000 VDC | Single 3000, 4000, 5200 & 6000 VDC | Dual 3000, 4000, 5200 & 6000 VDC |
|-----|-----------------|---------------|-------------------------|------------------------------------|----------------------------------|
| 1   | + V Input       | + V Input     | +V Input                | + V Input                          | + V Input                        |
| 2   | - V Input       | - V Input     | -V Input                | - V Input                          | - V Input                        |
| 4   | - V Output      | - V Output    | +V1 Output              | No pin                             | No pin                           |
| 5   | No pin          | Common        | -V1 Output              | - V Output                         | - V Output                       |
| 6   | + V Output      | + V Output    | +V2 Output              | No pin                             | Common                           |
| 7   | No pin          | No pin        | -V2 Output              | + V Output                         | + V Output                       |

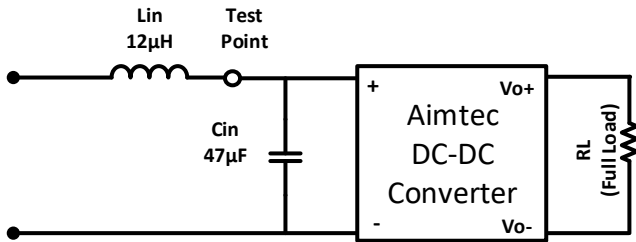
### Dimensions:



NOTE: Unit:mm [inch]  
 Pin tolerances:  $\pm 0.05\text{mm}$  [ $\pm 0.002\text{inch}$ ]  
 General tolerances:  $\pm 0.5\text{mm}$  [ $\pm 0.02\text{inch}$ ]  
 Pin pitch and length tolerance:  $\pm 0.35$  ( $\pm 0.014$ )

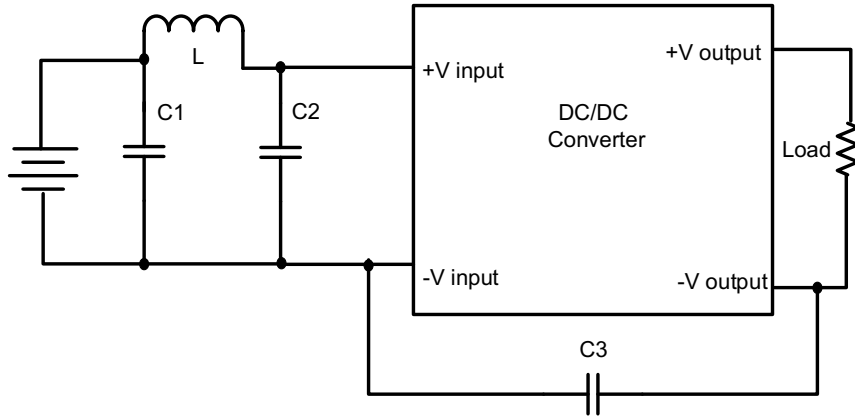


**Input Reflected Ripple Test Circuit**



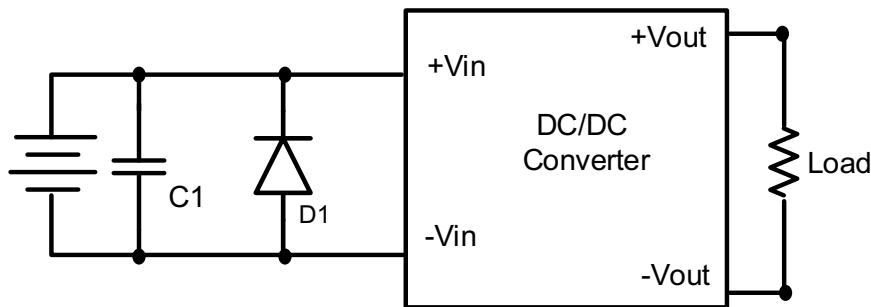
\* Tested at full load, and nominal input

**Class B EMI, external filter**



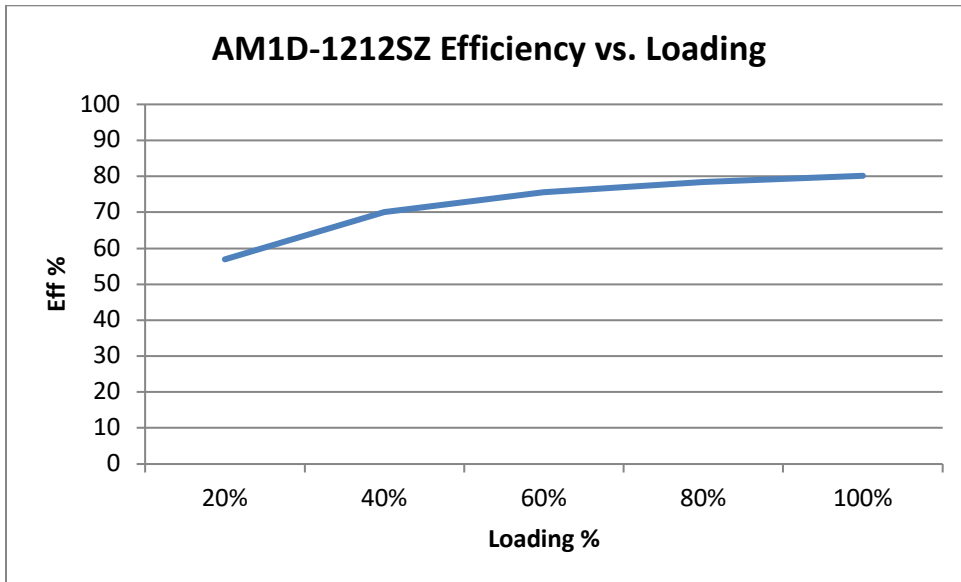
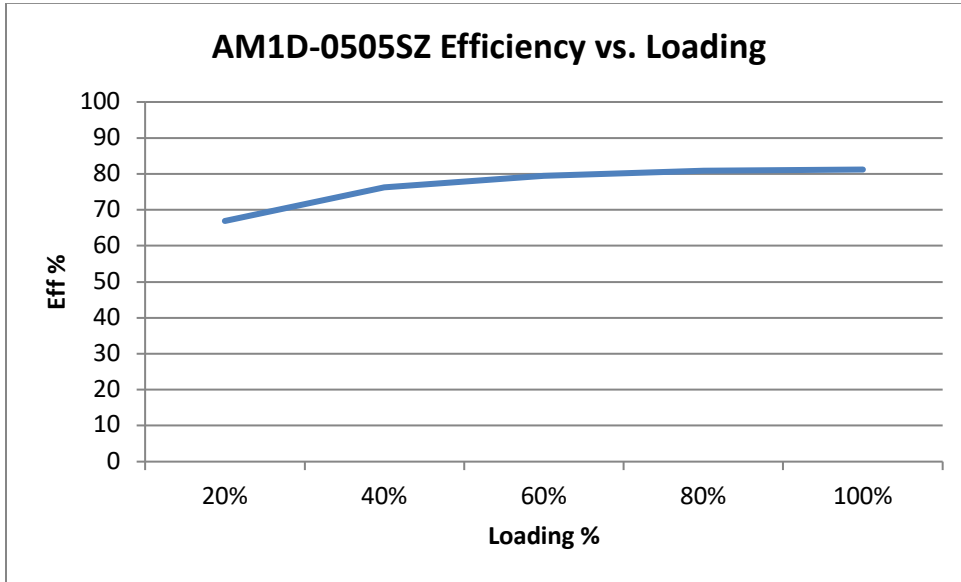
| Vin                | C1         | C2         | L    | C3        |
|--------------------|------------|------------|------|-----------|
| 3.3, 5, 12, 15 VDC | 2.2µF/100V | -          | 18µH | -         |
| 24VDC              |            | 2.2µF/100V |      | 470pF/2KV |
| 48VDC              | 10µF/100V  |            |      |           |

**EFT/Surge Application circuit**

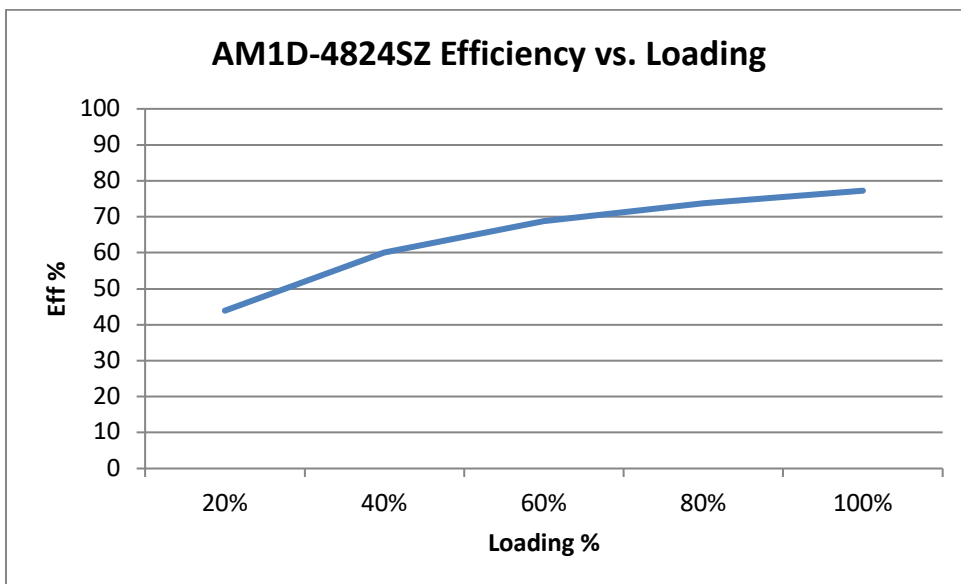
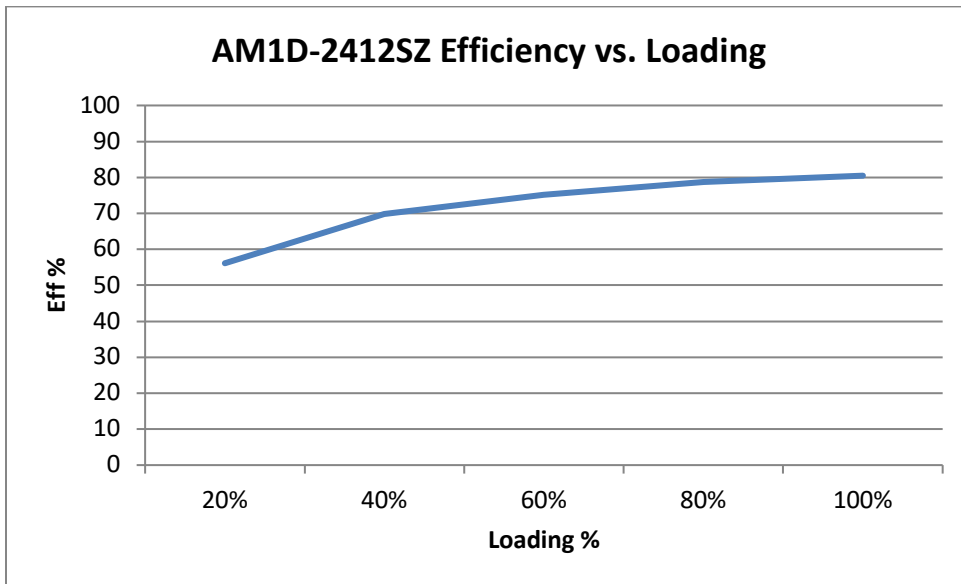
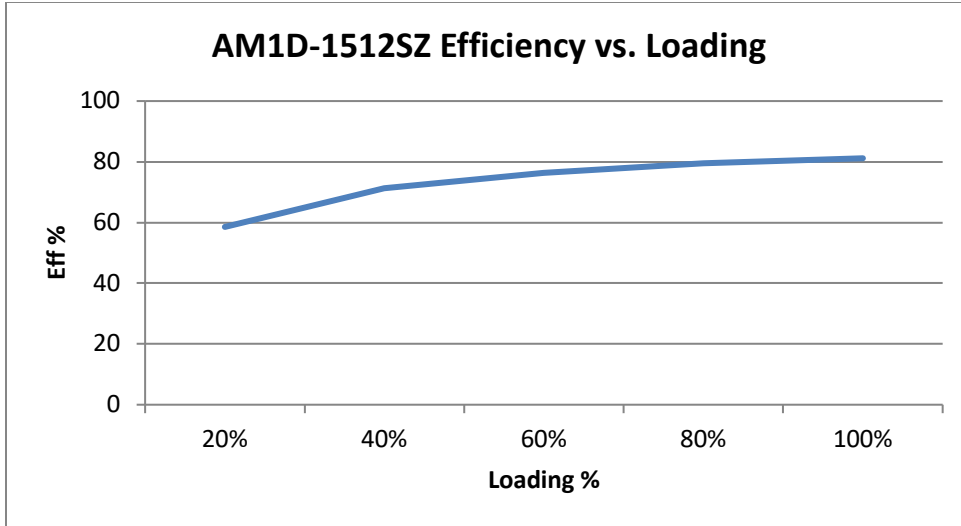


| Vin    | C1          | D1        |
|--------|-------------|-----------|
| 3.3VDC | 2200µF/100V | TVS, 5V   |
| 5VDC   |             | TVS, 6.5V |
| 12VDC  |             | TVS, 14V  |
| 15VDC  |             | TVS, 18V  |
| 24VDC  |             | TVS, 26V  |
| 48VDC  |             | TVS, 51V  |

**Typical Efficiency Chart Examples**







**NOTE:** **1.** Datasheets are updated as needed and as such, specifications are subject to change without notice. Once printed or downloaded, datasheets are no longer controlled by Aimtec; refer to [www.aimtec.com](http://www.aimtec.com) for the most current product specifications. **2.** Product labels shown, including safety agency certifications on labels, may vary based on the date manufactured. **3.** Mechanical drawings and specifications are for reference only. **4.** All specifications are measured at an ambient temperature of 25°C, humidity<75%, nominal input voltage and at rated output load unless otherwise specified. **5.** Aimtec may not have conducted destructive testing or chemical analysis on all internal components and chemicals at the time of publishing this document. CAS numbers and other limited information are considered proprietary and may not be available for release. **6.** This product is not designed for use in critical life support systems, equipment used in hazardous environments, nuclear control systems or other such applications which necessitate specific safety and regulatory standards other the ones listed in this datasheet. **7.** Warranty is in accordance with Aimtec's standard Terms of Sale available at [www.aimtec.com](http://www.aimtec.com).