

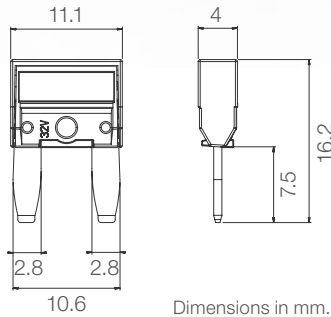
# MINIVAL®



## GENERAL DESCRIPTION

Breaking capacity	1000 A
Voltage rating	32 V
Ambient temp. + overheating	-40 °C to +125 °C
Body material	See table below
Cover material	PSU
Cover color	Transparent
Blade material	Zinc
Blade coating	Tin plated
Compliant with	ISO 8820-3 (type F) REACH, RoHS

## OVERALL DIMENSIONS



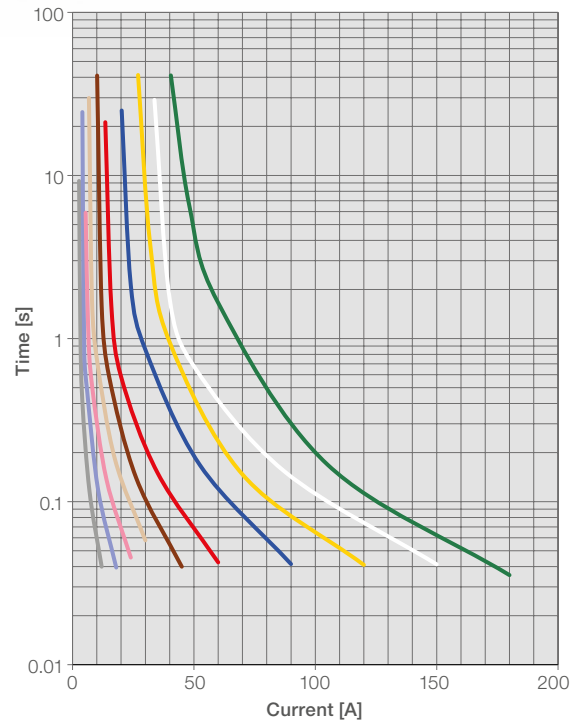
## MELTING TIME AND CURVE

Operating time limits:

% IR	Min [s]	Max [s]
110	360000	∞
135	0.75	120*
160	0.25	50
200	0.15	5
350	0.04	0.5
600	0.02	0.1

\*Exceeds ISO requirements (600 s).

Melting time graph at 23°C on test module ISO.



## RATINGS

Size [A]	Color coding	Body material	Expected voltage drop [mV]	ISO cable size [mm <sup>2</sup> ]	I <sup>2</sup> t* [A <sup>2</sup> s]
2	Grey	PC	128	0.35	135
3	Violet	PC	122	0.35	115
4	Pink	PC	121	0.35	156
5	Beige	PC	112	0.5	217
7.5	Brown	PC	110	0.75	256
10	Red	PC	106	1.0	387
15	Blue	PC	105	1.5	720
20	Yellow	PC	97	2.5	980
25	Natural	PSU	96	2.5	1344
30	Green	PSU	95	4.0	1692

\*Calculated from breaking capacity test.

## RERATING CURVE

