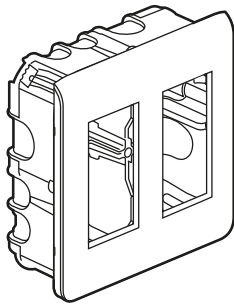
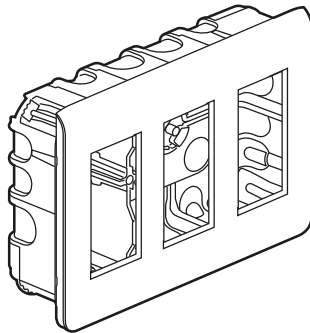


## Mosaic™ Flush-mounting workstation kits

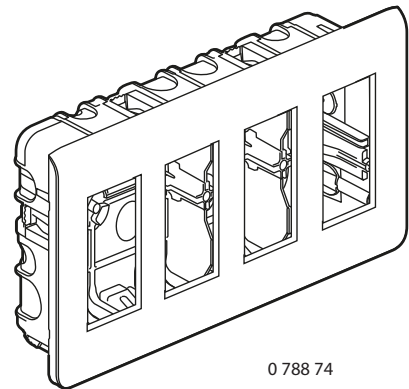
Cat. No(s): 0 788 72/73/74 - 0 790 72/73/74



0 788 72



0 788 73



0 788 74

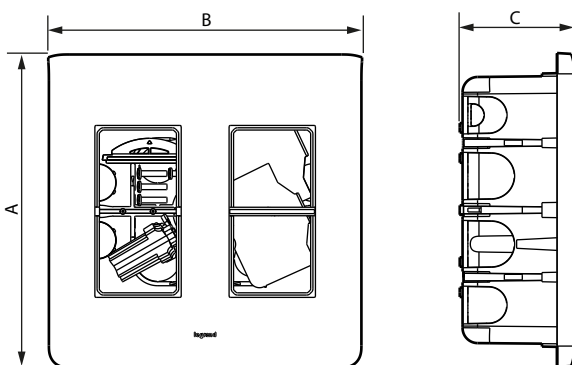
### 1. DESCRIPTION

- Ready-to-use kits equipped with:
- Surface-mounting frames with removable entries (top/bottom and sides), pre-cut for 40 x 20 mini-trunking.
  - 4-module individual supports for tool-less installation of Mosaic programme mechanisms (2 optional screws supplied).
  - Removable spacer for integration of 1-gang mechanisms.
  - Separation partition for high currents and low currents.
  - Front plate.

### 2. RANGE

Flush-mounting workstation kits	White	Alu
For 2 x 4 modules	0 788 72	0 790 72
For 3 x 4 modules	0 788 73	0 790 73
For 4 x 4 modules	0 788 74	0 790 74

### 3. OVERALL DIMENSIONS (mm)



Cat. No.	A	B	C
0 788 72 0 790 72	165.5	166	60.5
0 788 73 0 790 73	165.5	237	60.5
0 788 74 0 790 74	165.5	318	60.5

### 4. TECHNICAL CHARACTERISTICS

#### ■ 4.1 Mechanical characteristics

- Protection against solid bodies and liquids: IP 20
- Protection against mechanical impact: IK 04

#### ■ 4.2 Material characteristics

Material:

- Box: PC halogen free
- Plate: PC + ABS colour White RAL 9003  
PC + ABS painted Alu colour
- Under-plate: PC White opalescent
- Removable spacer: PP reinforced 30 % glass fiber
- Supports: PC reinforced 20 % glass fiber - Colour Grey RAL 7016

Halogen free

UV resistant

Self-extinguishing: 650° C / 30 s

#### ■ 4.3 Climatic characteristics

- Storage temperature: - 5° C to + 70° C
- Use temperature: - 5° C to + 35° C

### 5. CLEANING

Surface cleaning with a cloth.

Do not use: acetone, tar remover, trichloroethylene.

Resistance to the following agents: Hexane (EN 60669-1), Methylated spirits, Soapy water, Diluted ammonia, Diluted pure bleached 10%, Glass cleaning substance, Pre-impregnated wipes.

**Caution:** A preliminary test should be carried out if other specific cleaning products are to be used.

### 6. SPECIAL USE

The plates must not be painted.

### 7. ACCESSORIES

0 801 29	Din-rail for 2-module modular device 17.5 mm
0 788 40	Cover-plate for 2-module modular device 17.5 mm with removable transparent protection cap, 4 modules