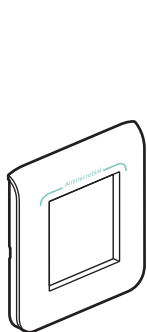
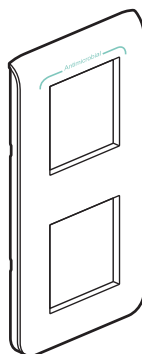


## Mosaic™ Antimicrobial\* plates

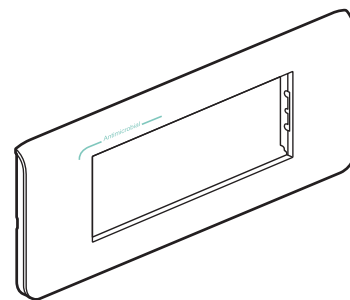
Cat. No(s): 0 787 22/23/24/25/26



0 787 22



0 787 23



0 787 26

### 1. USE

Plates for covering mechanisms.  
 Fixing with clips.

These products are made of silver-ion based antimicrobial\* material. This technology eliminates bacteria, fungi and viruses without creating any immunisation or resistance effects (physical, rather than chemical, destruction).

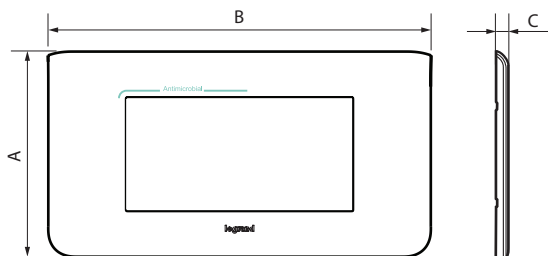
Particularly suitable for healthcare establishments (hospitals, clinics, nursing homes, laboratories, waiting rooms, etc.) and more generally for areas subject to hygiene restrictions (industrial, shared and restaurant kitchens, waste, etc.).

These products offer an additional way of ensuring the non-proliferation of bacteria, fungi and viruses without interfering with cleaning protocols.

### 2. RANGE

Designation	White
Plate - 2 modules	0 787 22
Vertical plate - 2 x 2 modules	0 787 23
Horizontal plate - 4 modules	0 787 24
Horizontal plate - 2 x 2 modules	0 787 25
Horizontal plate - 6 modules	0 787 26

### 3. DIMENSIONS (mm)



Cat. Nos	A	B	C
0 787 22	82	82	8.5
0 787 23	153	82	8.5
0 787 24	82	153	8.5
0 787 25	82	153	8.5
0 787 26	82	224	8.5

### 4. TECHNICAL CHARACTERISTICS

#### ■ 4.1 Mechanical characteristics

Impact tests: IK 04

#### ■ 4.2 Material characteristics

- Plates:
    - Polyglass appearance
    - Halogen-free
    - UV-resistant
    - White ABS RAL 9003 + antimicrobial\* treatment
  - Sub-plate: opalescent PC
- Self-extinguishing: 650°C/30 s

#### ■ 4.3 Climate characteristics

Storage temperature: - 10°C to + 70°C  
 Usage temperature: - 5°C to + 35°C

### 5. CLEANING

Surface cleaning with a cloth.

Do not use: acetone, tar remover, trichloroethylene.

Resistance to the cleaning products: Hexane (EN 60669-1, methylated spirit, soapy water, diluted ammonia, pure bleach diluted to 10%, window-cleaning products, pre-impregnated wipes.

Resistance to type cleaning hospital: Anios, Surfanios, Bactily sine, Diluted hydrogen peroxide (35 %).

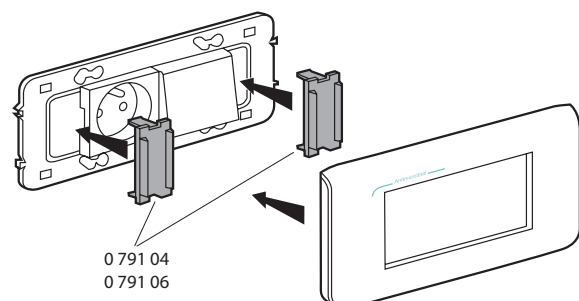
**Caution:** Always test before using other special cleaning products

Do not paint the plates.

## 6. ACCESSORIES

For 4 and 6 modules plates, use the blanking plates:

Plates	Blanking plates
4 modules	0 791 04
6 modules	0 791 06



## 7. STANDARDS AND APPROVALS

Compliance with standards of installation and manufacturing.  
See e.catalogue.

\*Contains silver ions that limit the development of bacteria on the surface