

1

2

3

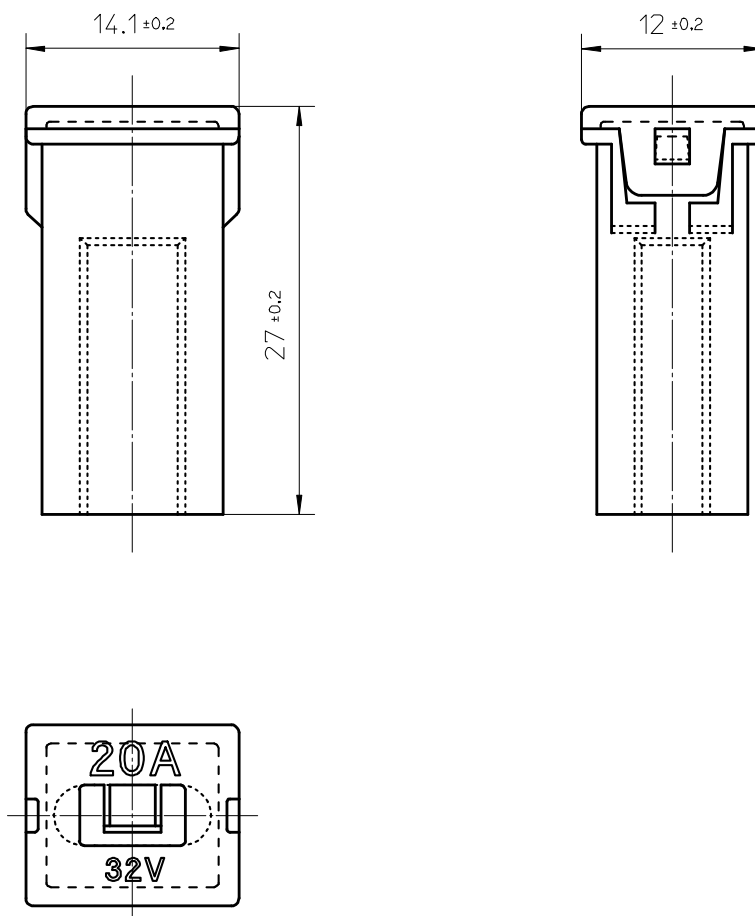
4

A

B

C

D



ONLY FOR REFERENCE

04.74060/10	60A	YELLOW	32
04.74050/10	50A	RED	
04.74040/10	40A	GREEN	
04.74030/10	30A	PINK	
04.74020/10	20A	LIGHT BLUE	
MTA P/N	AMP.	SHELL COLOR	V.max

MTA P/N 04.74020/10

Denom. JAPVAL FUSE MINI FEMALE 20A

Draw No. B0-003.042B

Used for

Rel. Level APPROVED

Draw for CLIENT

Relevant Standard VAL FUSES JAP

Date Name

Scale Weight(g) Lin.Tol.± Ang.Tol.±

Material

Draft. 25/02/2005 S.BEDUSCHI

2:1 0.5

Coating

Chk 25/02/2005 M.CORBANI

PQApp

A4 Dimensions in (mm) Sheet

Color SEE TABLE

App.

1

DRAWING UPDATE

No. Reason for Revision

Date 16/11/2006

Name R.DALMA

All proprietary rights reserved by MTA S.p.A. - This drawing shall not be reproduced, or in any way utilized, for the manufacture of the component or unit herein illustrated and must not be released to other parties, without written consent. Any infringement will be legally pursued.