

REV.	DESCRIPTION	DRAWN	DATE
1	INITIAL RELEASE	TIM	2017/12/21

SPECIFICATION:

1. ELECTRICAL

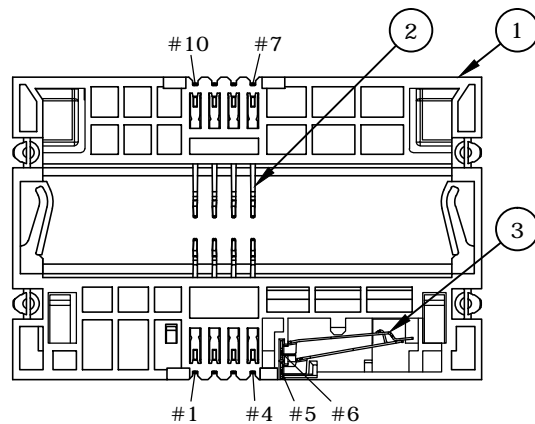
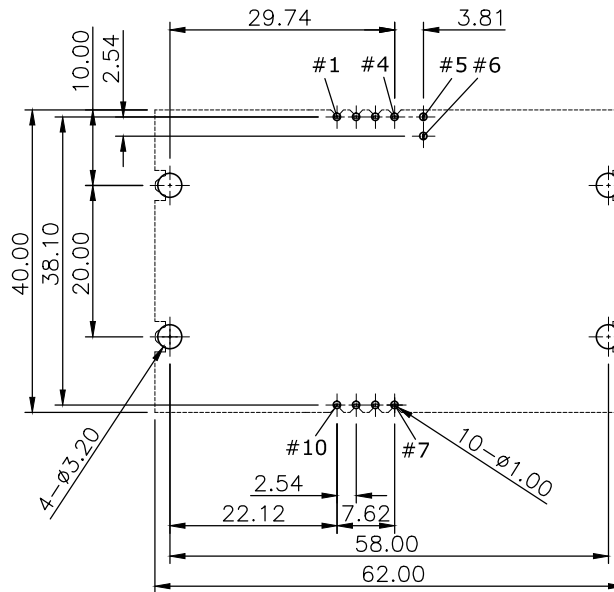
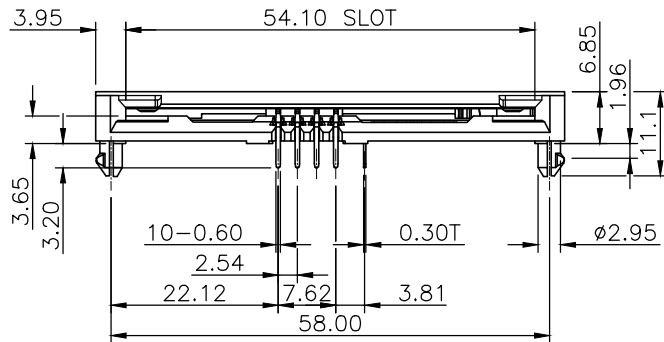
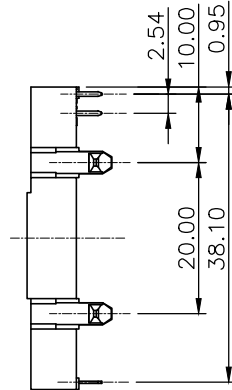
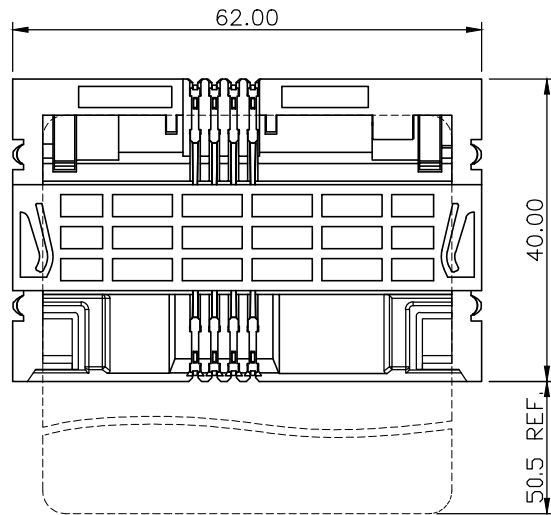
- 1.1 Current Rating: 1.0A per pin
- 1.2 Voltage Rating: 50V DC
- 1.3 Contact Resistance: 100mΩ Max
- 1.4 Insulation Resistance: 500MΩ Min
- 1.5 Dielectric Withstanding Voltage: 500VAC

2. MECHANICAL

- 2.1 Durability: 10,000 Cycle

3. ENVIRONMENTAL

- 3.1 Operating temperature range: -40 °C~+85°C
- 3.2 Storage temperature range: -40 °C~+85°C



RECOMMENDED LAYOUT (TOP VIEW)
GENERAL TOLERANCE: ±0.05mm

SWITCH CIRCUIT	
WHEN CARD IS EJECTED	WHEN CARD IS INSERTED
CLOSE	OPEN

3	SWITCH	Phosphor Bronze, GOLD PLATED UNDER NICKEL Solder Tail: Tin plating over Nickel
2	CONTACT	Brass, Contact area: 3u"Gold plating over Nickel Solder Tail: Tin plating over Nickel
1	HOUSING	PBT, UL94V-0, Black
NO.	PART NAME	DESCRIPTION

UNLESS OTHERWISE SPECIFIED TOLERANCE

UNIT:	DECIMAL	LINEAR	ANGLES
mm	X.	±0.50	±5°
	X.X	±0.25	±3°
	X.XX	±0.12	±1°



www.attend.com.tw

DRAWN	Tim	2017/12/21	DRAWN NAME:	Smart Card Socket
CHECKED	Fros	2017/12/21		Nomal Close, DIP Type
APPROVED	Ken	2017/12/21	PRODUCT NO.	116B-DBC0-01
	SCALE	SHEET	SIZE	FILE NAME
	1/1	1/1	A4	116B-DBC0-01_B_1