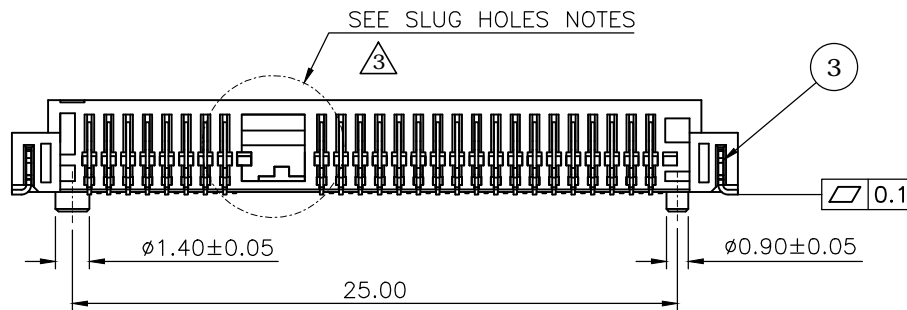
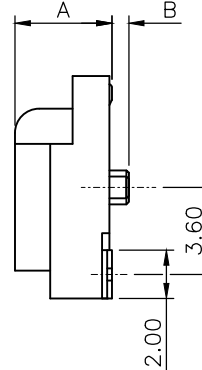


*SEE TABLE



| NO. | DESCRIPTION | DRAWN | DATE |
|-----|--------------------------------|-------|------------|
| 1 | INITIAL RELEASE | FROS | 2014/12/12 |
| 2 | ADD PACKING & DIMENSIONS TABLE | FROS | 2014/12/19 |
| 3 | ADD PAGE 4, SLUG HOLE NOTES | FROS | 2015/08/11 |


SPECIFICATION:

1. ELECTRICAL
 - 1.1 Current Rating: 0.5A per pin
 - 1.2 Voltage Rating: 50V DC
 - 1.3 Contact Resistance: 55mΩ Max
 - 1.4 Insulation Resistance: 500MΩ Min
 - 1.5 Dielectric Withstanding Voltage: 300VAC
2. MECHANICAL
 - 2.1 Durability: 100 Cycle
 - 2.2 Insertion Force: 2.3Kgf max.
 - 2.3 Extraction Force: 2.3Kgf max.
3. ENVIRONMENTAL
 - 3.1 Operating temperature range: -40°C~+85°C
 - 3.2 Storage temperature range: -40°C~+85°C
4. SOLDER ABILITY
 - 4.1 Recommended IR Reflow Temperature: 260°C 10Sec

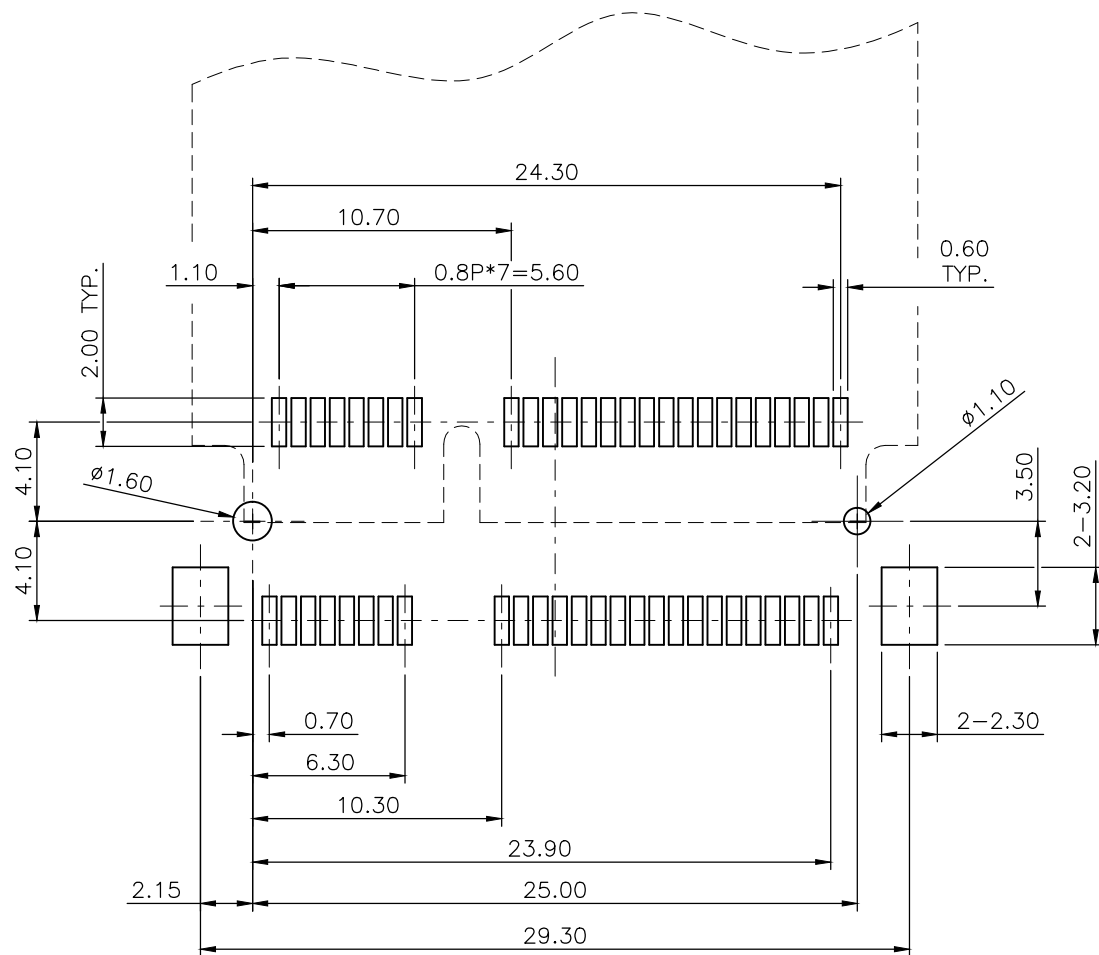
| DIMENSIONS TABLE | | |
|------------------|-----|----------------|
| A | B | P/N |
| 4.0 | 0.7 | 119A-40A00-R04 |
| 5.6 | 0.5 | 119A-56A00-R04 |

NOTE: 1
 DATE CODE: 3 3 4 1
 YEAR 2013 DAY 1 AT WEEK
 WEEK 34

| | | |
|---|----------|----------------------------------------------------------------|
| 3 | HOLDDOWN | Brass C2680, Tin Plated |
| 2 | CONTACT | Phosphor Bronze C5210, Contact Area: Gold Flash Over Nickel |
| 1 | HOUSING | LCP UL94V-0, Black |

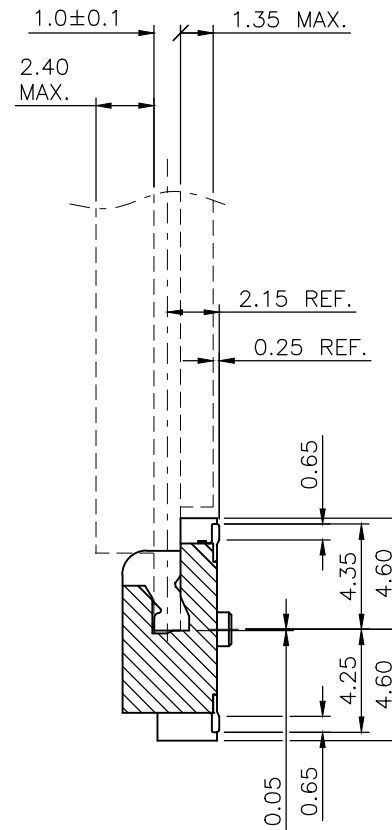
| NO. PART NAME | | DESCRIPTION | | |
|------------------------------------------------------------------------------------------------------------|---------|--------------------|------------------------------------------------|---------------------------|
| UNLESS OTHERWISE SPECIFIED TOLERANCE | | | | |
| UNIT: | DECIMAL | LINEAR | ANGLES | |
| | X. | ±0.50 | ±5° | |
| | X.X | ±0.25 | ±3° | |
| | X.XX | ±0.12 | ±1° | |
|  WWW.ATTEND.COM.TW | | | | |
| DRAWN | Fros | 2014/12/12 | DRAWN NAME: Mini PCI Express Socket H:X.Xmm | |
| CHECKED | Ron | 2014/12/12 | | |
| APPROVED | Albert | 2014/12/12 | | |
| SCALE 3.2 | | SHEET 1/4 | SIZE A4 | PRODUCT NO. SEE P/N TABLE |
| FILE NAME | | 119A-XXA00-R04_B_3 | | |

| | | | |
|-----|-------------|-------|------|
| NO. | DESCRIPTION | DRAWN | DATE |
| | SEE SHEE 1 | | |


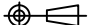


RECOMMEND PCB LAYOUT, TOP VIEW

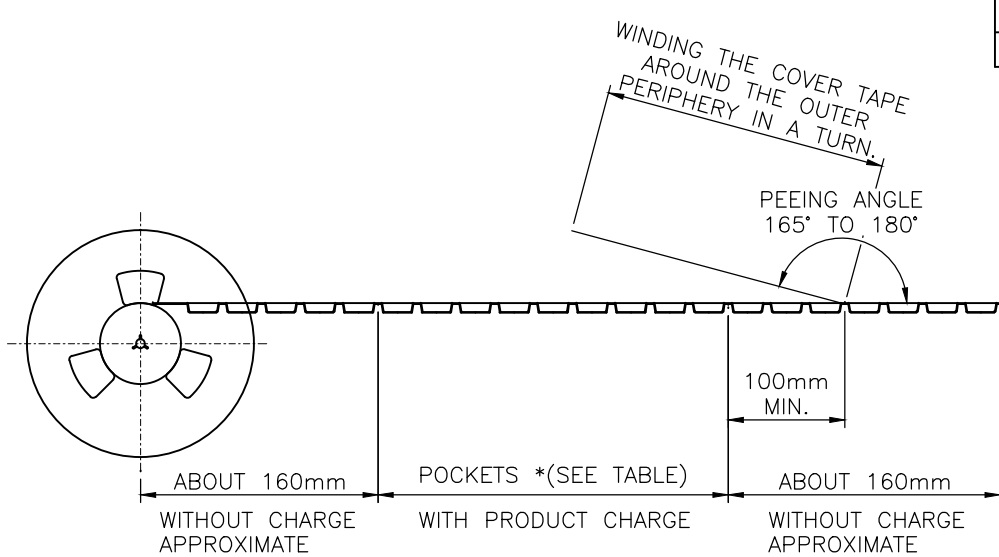
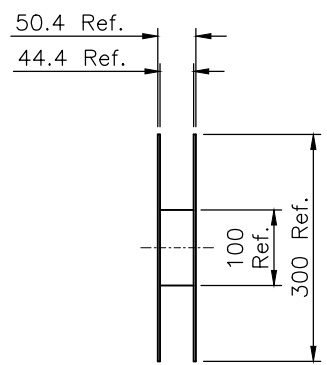
----- IS CARD
 _____ IS PAD LAYOUT



GENERAL TOLERANCE: ±0.05

| | | | | |
|---------------------------------------------------------------------------------------|-----------|------------|---------------------------------|--------------------------------------------------------------------------------------------------------------------------|
| UNLESS OTHERWISE SPECIFIED TOLERANCE | | | |  ATTEND WWW.ATTEND.COM.TW |
| UNIT: | DECIMAL | LINEAR | ANGLES | |
| mm | X. | ±0.50 | ±5° | |
| | X.X | ±0.25 | ±3° | |
| | X.XX | ±0.12 | ±1° | |
| DRAWN | Fros | 2014/12/12 | DRAWN NAME: | |
| CHECKED | Ron | 2014/12/12 | Mini PCI Express Socket H:X.Xmm | |
| APPROVED | Albert | 2014/12/12 | PRODUCT NO. | SEE P/N TABLE |
|  | SCALE 3.2 | SHEET 2/4 | SIZE A4 | FILE NAME 119A-XXA00-R04_B_3 |

| | | | |
|-----|-------------|-------|------|
| NO. | DESCRIPTION | DRAWN | DATE |
| | SEE SHEE 1 | | |

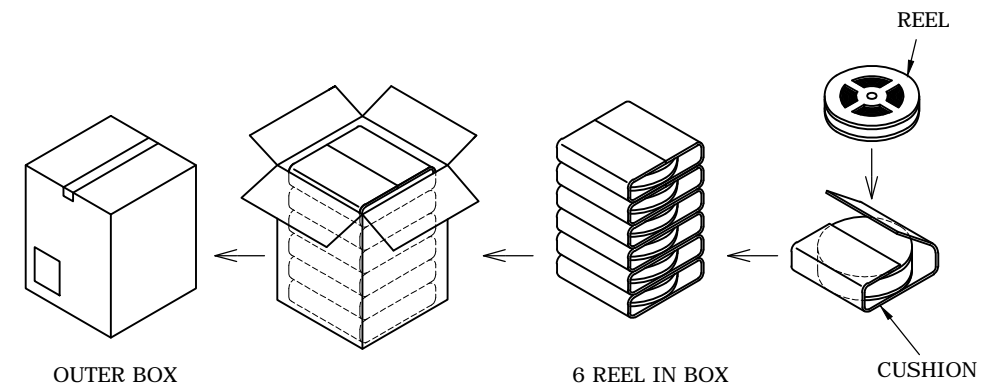
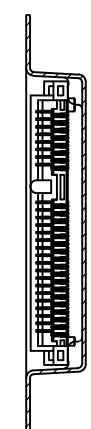
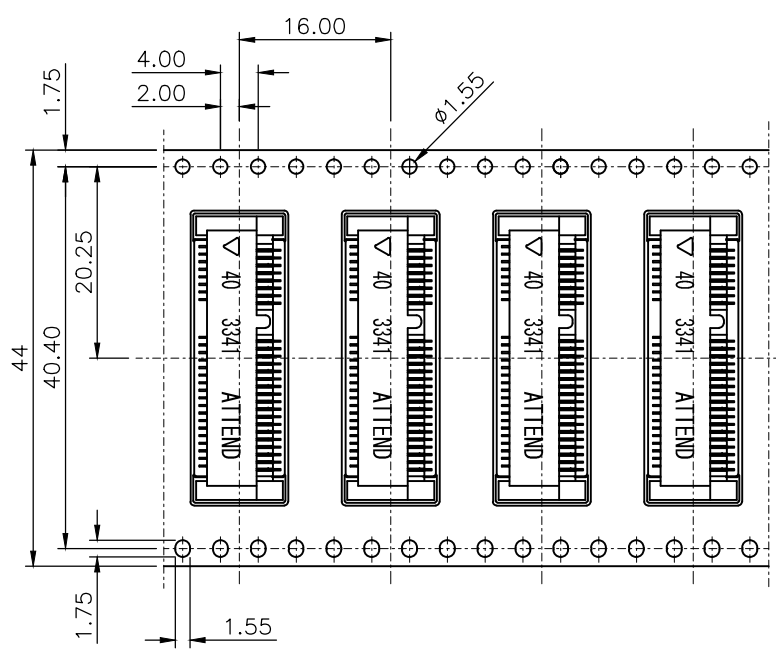


NOTE:

1. PEELING RESISTANCE: 0.1N-0.13N (10gf-130gf)
PEELING ANGLE: 165°~180°
PEELING SPEED: 300mm/min.
2. PACKING STYLE
6 REEL/CARTON

| PACKING TABLE | | |
|----------------|------------|--------------|
| P/N | Q'TY/ REEL | Q'TY/ CARTON |
| 119A-40A00-R04 | 700 PCS | 4,200 PCS |
| 119A-56A00-R04 | 550 PCS | 3,300 PCS |

REEL DIMENSIONS
SCALE 1/10



BOX PACKING

| C | P/N |
|------|----------------|
| 6.30 | 119A-40A00-R04 |
| 7.90 | 119A-56A00-R04 |

| UNLESS OTHERWISE SPECIFIED TOLERANCE | | | |
|--------------------------------------|---------|--------|--------|
| UNIT: | DECIMAL | LINEAR | ANGLES |
| mm | X. | ±0.50 | ±5° |
| | X.X | ±0.25 | ±3° |
| | X.XX | ±0.12 | ±1° |



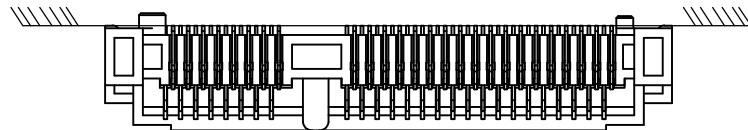
WWW.ATTEND.COM.TW

| | | | |
|----------|--------|------------|------------------------------------------------|
| DRAWN | Fros | 2014/12/12 | DRAWN NAME: Mini PCI Express Socket H:X.Xmm |
| CHECKED | Ron | 2014/12/12 | |
| APPROVED | Albert | 2014/12/12 | PRODUCT NO. SEE P/N TABLE |
| SCALE | 1.25 | SHEET | 3/4 |
| SIZE | A4 | FILE NAME | 119A-XXA00-R04_B_3 |

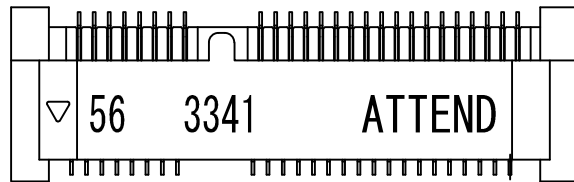
*SEE TABLE

| | | | |
|-----|---------------|-------|------|
| NO. | DESCRIPTION | DRAWN | DATE |
| | see sheet one | | |

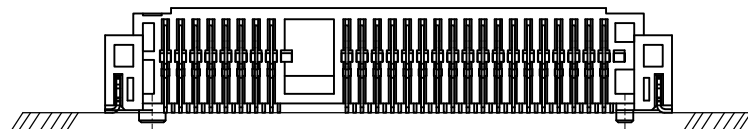
119A-56A00-R04



FRONT SIDE

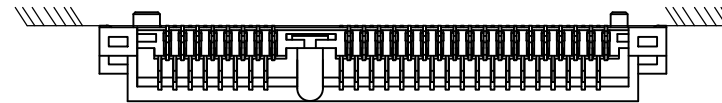


TOP VIEW

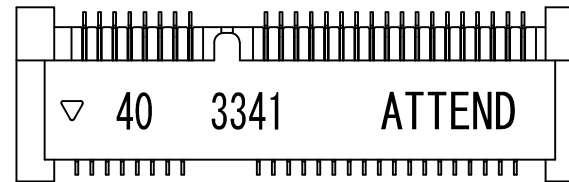


BACK SIDE

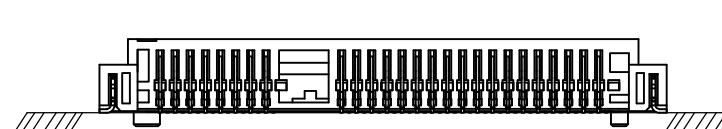
119A-40A00-R04



FRONT SIDE



TOP VIEW



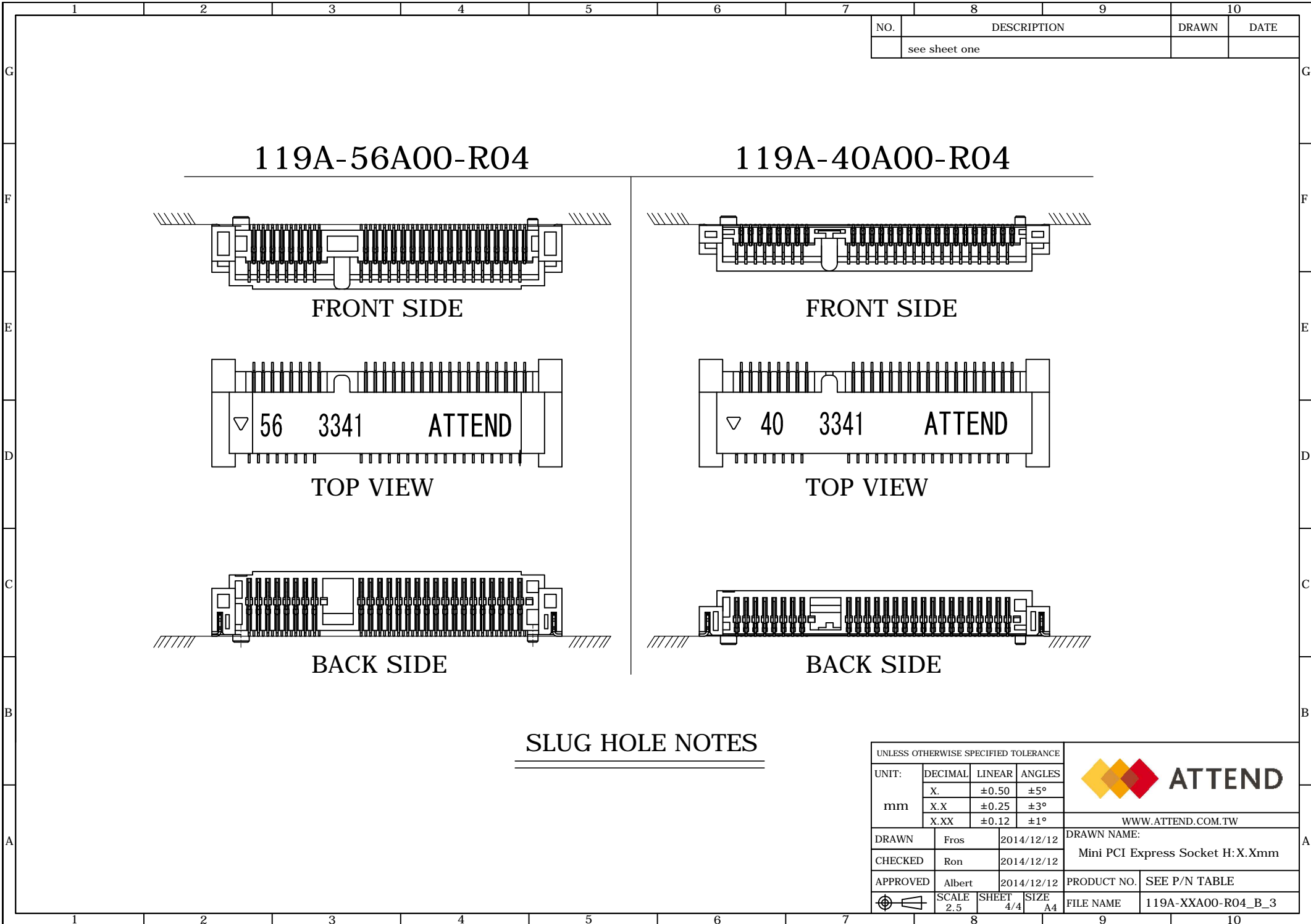
BACK SIDE

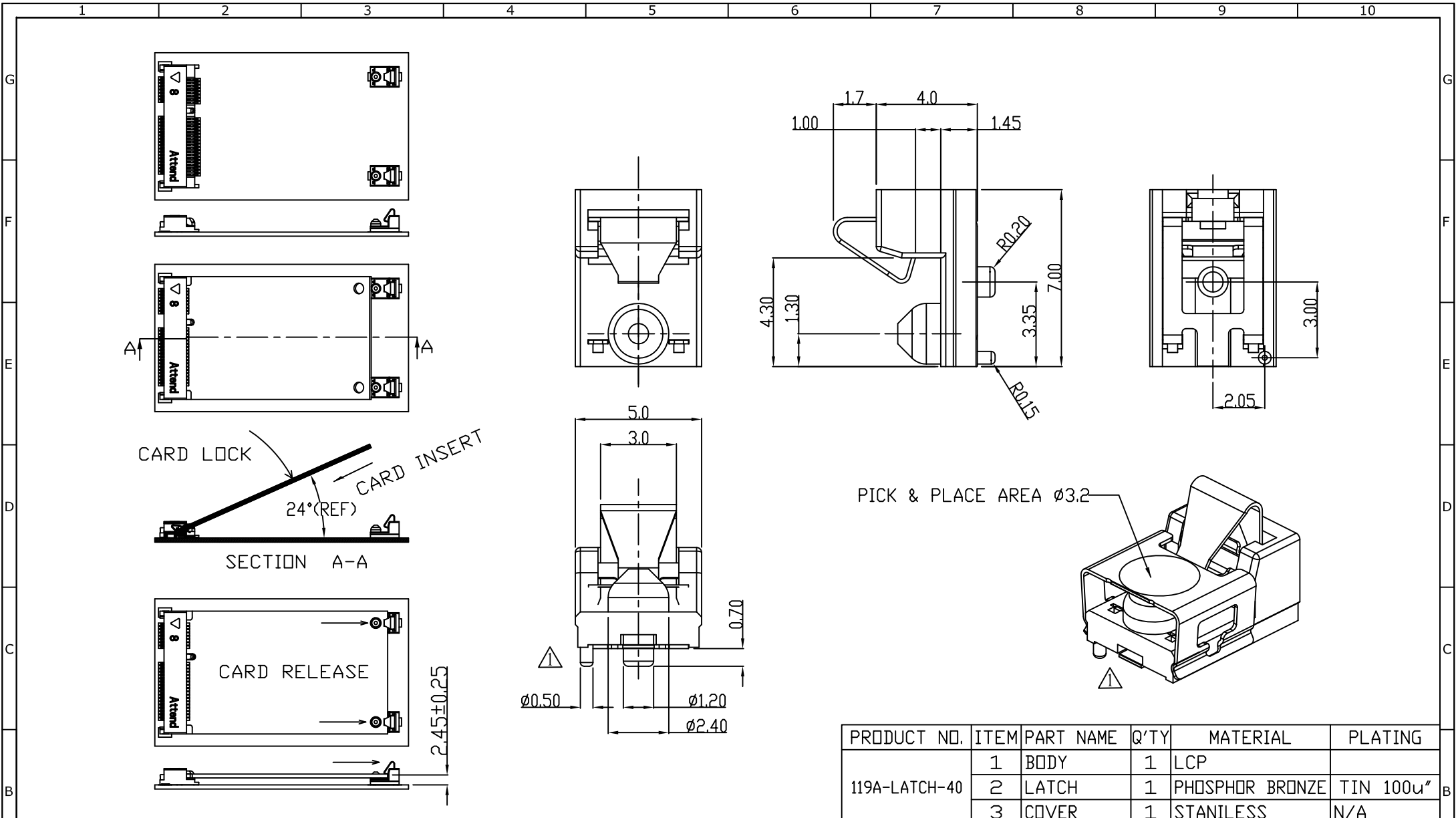
SLUG HOLE NOTES

| | | | |
|--------------------------------------|-----------|--------------------|------------------------------------------------|
| UNLESS OTHERWISE SPECIFIED TOLERANCE | | | |
| UNIT: | DECIMAL | LINEAR | ANGLES |
| mm | X. | ±0.50 | ±5° |
| | X.X | ±0.25 | ±3° |
| | X.XX | ±0.12 | ±1° |
| DRAWN | Fros | 2014/12/12 | DRAWN NAME: Mini PCI Express Socket H:X.Xmm |
| CHECKED | Ron | 2014/12/12 | |
| APPROVED | Albert | 2014/12/12 | PRODUCT NO. SEE P/N TABLE |
| | SCALE 2.5 | SHEET 4/4 | SIZE A4 |
| FILE NAME | | 119A-XXA00-R04_B_3 | |



WWW.ATTEND.COM.TW





| PRODUCT NO. | ITEM | PART NAME | Q'TY | MATERIAL | PLATING |
|---------------|------|-----------|------|-----------------|-----------|
| 119A-LATCH-40 | 1 | BODY | 1 | LCP | |
| | 2 | LATCH | 1 | PHOSPHOR BRONZE | TIN 100u" |
| | 3 | COVER | 1 | STAINLESS | N/A |

| UNLESS OTHERWISE SPECIFIED TOLERANCE | | |
|--------------------------------------|----------|------------|
| ANGLES | ANG. | ±5° |
| LINEAR | 0. | ±0.3 |
| | 0.0 | ±0.25 |
| | 0.00 | ±0.20 |
| SCALE | AS SHOWN | UNIT: mm |
| DRAWN | Willis | 2012/08/03 |
| CHECKED | Angel | 2012/08/03 |
| APPROVED | Ken | 2012/08/03 |

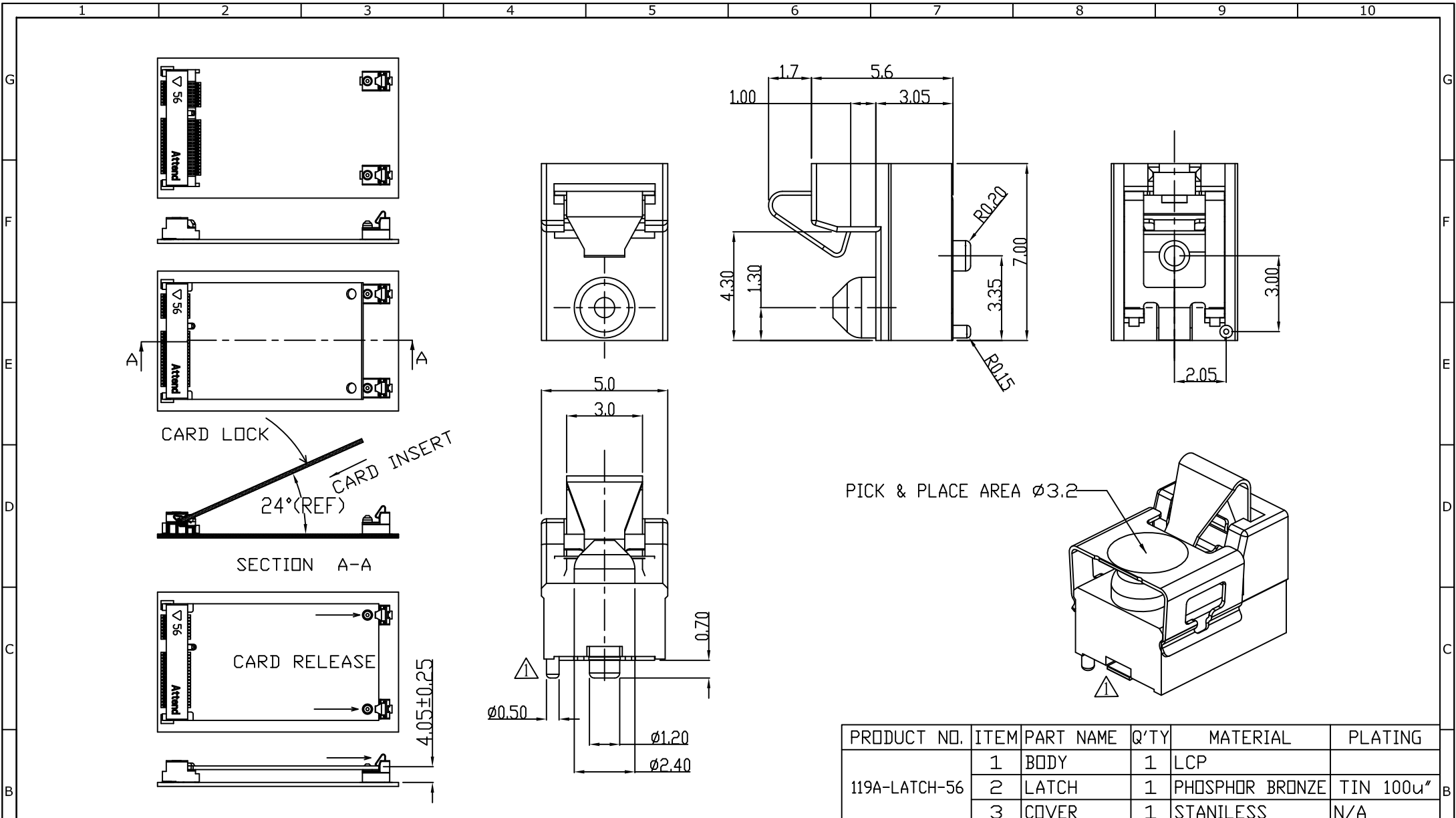


www.attend.com.tw

DRAWN NAME: Mini PCI Express Latch H:4.0

PRODUCT NO. 119A-LATCH-40

| REV. | DESCRIPTION | DATE | REV. | DESCRIPTION | DATE |
|------|-----------------------------------------|------------|------|-------------|------|
| 1 | Revise: (1) Peg (2)Housing(3)Solder Pad | 2010/01/15 | | | |



| PRODUCT NO. | ITEM | PART NAME | Q'TY | MATERIAL | PLATING |
|---------------|------|-----------|------|-----------------|-----------|
| 119A-LATCH-56 | 1 | BODY | 1 | LCP | |
| | 2 | LATCH | 1 | PHOSPHOR BRONZE | TIN 100u" |
| | 3 | COVER | 1 | STAINLESS | N/A |

| UNLESS OTHERWISE SPECIFIED TOLERANCE | | |
|--------------------------------------|----------|------------|
| ANGLES | ANG. | ±5° |
| LINEAR | 0. | ±0.3 |
| | 0.0 | ±0.25 |
| | 0.00 | ±0.20 |
| SCALE | AS SHOWN | UNIT: mm |
| DRAWN | Willis | 2012/08/03 |
| CHECKED | Angel | 2012/08/03 |
| APPROVED | Ken | 2012/08/03 |

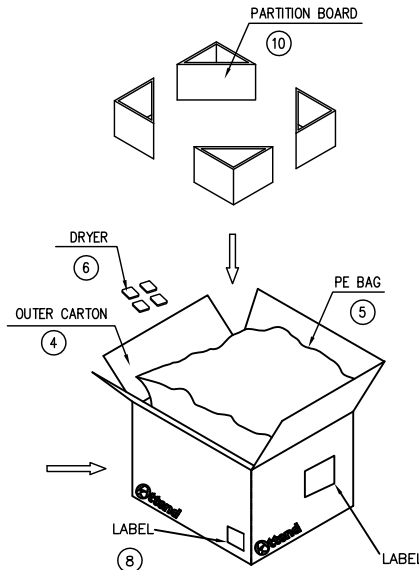
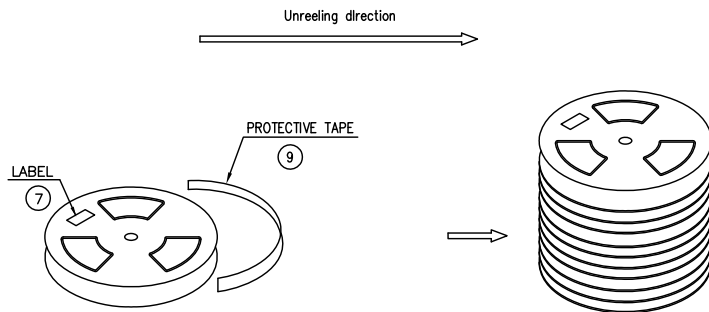
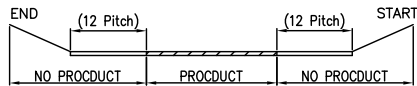
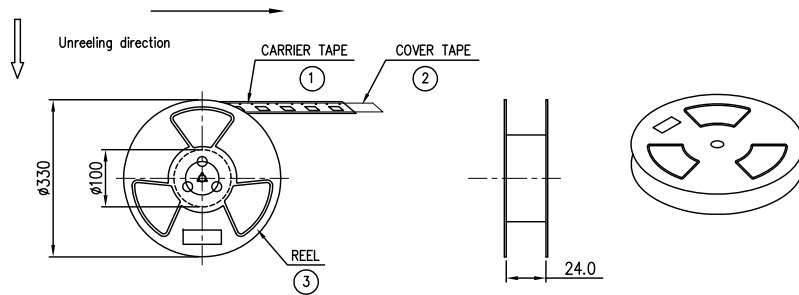
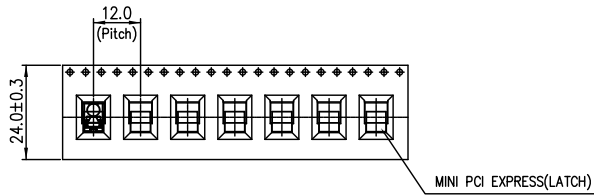


www.attend.com.tw

DRAWN NAME: Mini PCI Express Latch H:5.6

PRODUCT NO. 119A-LATCH-56

| REV. | DESCRIPTION | DATE | REV. | DESCRIPTION | DATE |
|------|-----------------------------------------|------------|------|-------------|------|
| 1 | Revise: | | | | |
| 2 | Revise: | | | | |
| 3 | Revise: (1) Peg (2)Housing(3)Solder Pad | 2010/01/15 | | | |



NOTES:

- PACKING STYLE
 - 119A-LATCH-40 (4.0H) 700 PCS/REEL 7000 PCS/OUTER CARTON
 - 119A-LATCH-56 (5.6H) 550 PCS/REEL 5500 PCS/OUTER CARTON
 - 119A-LATCH-80 (8.0H) 400 PCS/REEL 4000 PCS/OUTER CARTON
 - 119A-LATCH-92 (9.2H) 300 PCS/REEL 3000 PCS/OUTER CARTON
- MATERIAL CARRIER TAPE: PS BLACK
COVER TAPE: PET FILM
REEL: PLASTIC
- PEEL STRENGTH OF COVER TAPE: 20-80g (PEEL SPEED 300mm/MINUTE).

| | | | | | |
|----|-----------------|-------------|------|-------------------|----------------|
| 10 | PARTITION BOARD | 4 | PCS | | |
| 9 | PROTECTIVE TAPE | 3 | PCS | | |
| 8 | LABEL | 1 | PCS | | |
| 7 | LABEL | 6 | PCS | | |
| 6 | DRYER | 4 | BAG | | |
| 5 | PE BAG | 1 | PCS | L850*W750mm | |
| 4 | OUTER CARTON | 1 | PCS | | |
| 3 | REEL | 10 | SET | ø330*100mm,W=44mm | |
| 2 | COVER TAPE | SEE NOTES | 10 | PCS | W=21.5mm |
| 1 | CARRIER TAPE | | | | W=24mm,T=0.5mm |
| NO | PACKING NAME | PCS/R/R/BOX | UNIT | NOTE | |

| UNLESS OTHERWISE SPECIFIED TOLERANCE | | |
|--------------------------------------|----------|------------|
| ANGLES | ANG. | ±5° |
| LINEAR | 0. | ±0.3 |
| | 0.0 | ±0.25 |
| | 0.00 | ±0.20 |
| SCALE | AS SHOWN | UNIT: mm |
| DRAWN | Willis | 2012/08/03 |
| CHECKED | Angel | 2012/08/03 |
| APPROVED | Ken | 2012/08/03 |



www.attend.com.tw

DRAWN NAME:
Mini PCI Express Latch

PRODUCT NO. 119A-LATCH-XX

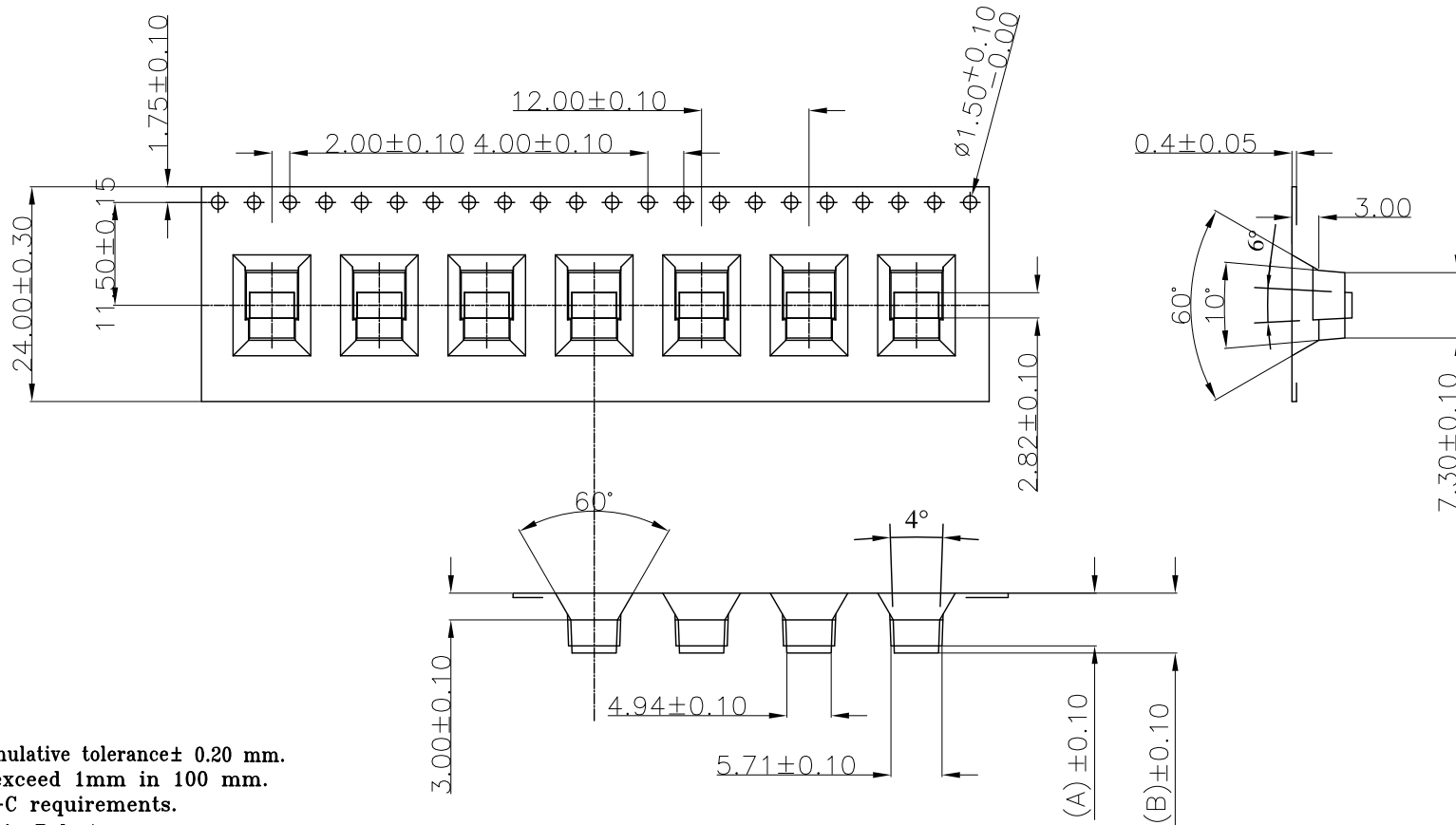
FILE NAME 119A-LATCH-XX_D_2

| REV. | DESCRIPTION | DATE | REV. | DESCRIPTION | DATE |
|------|-------------|------|------|-------------|------|
| 3 | Revise: | | | | |
| 2 | Revise: | | | | |
| 1 | Revise: | | | | |
| 1 | | | 1 | | |



SIZE A4

REV. 1.0



NOTES:

1. 10 sprocket hole pitch cumulative tolerance ± 0.20 mm.
2. Carrier camber not to exceed 1mm in 100 mm.
3. All scope meet EIA-481-C requirements.
4. Material: Black Anti-static Polystyrene.
5. Thickness: 0.40 ± 0.05 mm.

| DIM. | 119A-LATCH-40 | 119A-LATCH-52 | 119A-LATCH-56 | 119A-LATCH-80 | 119A-LATCH-92 |
|------|---------------|---------------|---------------|---------------|---------------|
| A | 5.90 | 7.10 | 7.50 | 9.90 | 11.10 |
| B | 6.70 | 7.90 | 8.30 | 10.70 | 11.90 |

| UNLESS OTHERWISE SPECIFIED TOLERANCE | | |
|--------------------------------------|----------|---------------|
| ANGLES | ANG. | $\pm 5^\circ$ |
| LINEAR | 0. | ± 0.3 |
| | 0.0 | ± 0.25 |
| | 0.00 | ± 0.20 |
| SCALE | AS SHOWN | UNIT: mm |
| DRAWN | Willis | 2012/08/03 |
| CHECKED | Angel | 2012/08/03 |
| APPROVED | Ken | 2012/08/03 |



www.attend.com.tw

DRAWN NAME:
Mini PCI Express Latch

PRODUCT NO. 119A-LATCH-XX

| REV. | DESCRIPTION | DATE | REV. | DESCRIPTION | DATE |
|------|-------------|------|------|-------------|------|
| 1 | | | 4 | | |
| 2 | | | 5 | | |
| 3 | | | 6 | | |

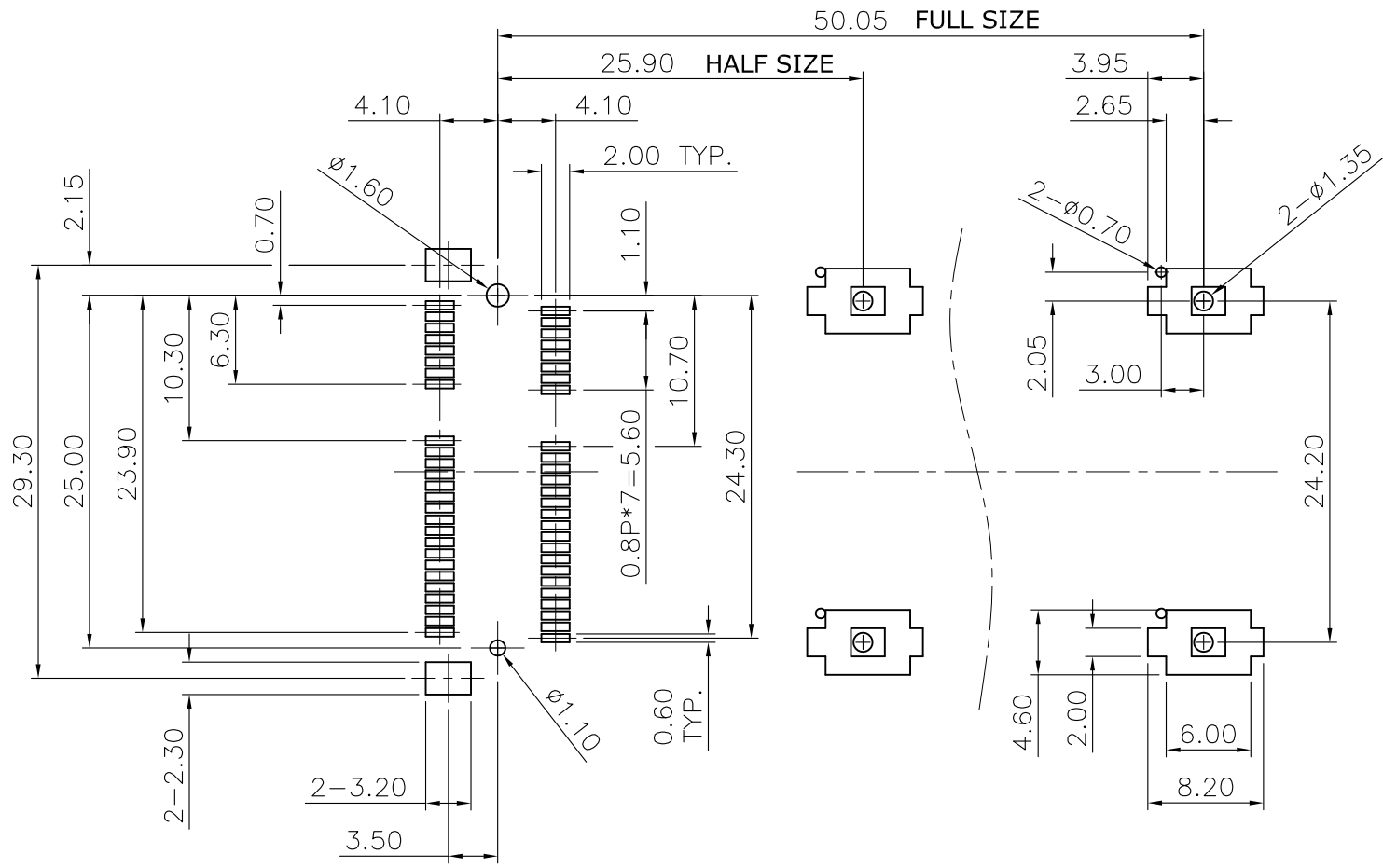


SIZE A4


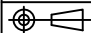
REV. 1.0

FILE NAME 119A-LATCH-XX_D_2

| REV. | DESCRIPTION | DRAWN | DATE |
|------|-----------------|-------|------------|
| 1 | Initial Release | FROS | 2014/12/15 |



GENERAL TOLERANCE: $\pm 0.05\text{mm}$

| UNLESS OTHERWISE SPECIFIED TOLERANCE | | | |  | |
|---------------------------------------------------------------------------------------|---------|------------|----------------------------------|---------------------------------------------------------------------------------------|----|
| UNIT: | DECIMAL | LINEAR | ANGLES | | |
| mm | X. | ± 0.50 | $\pm 5^\circ$ | WWW.ATTEND.COM.TW | |
| | X.X | ± 0.25 | $\pm 3^\circ$ | | |
| | X.XX | ± 0.12 | $\pm 1^\circ$ | | |
| DRAWN | Fros | 2014/12/15 | DRAWN NAME: | | |
| CHECKED | Ron | 2014/12/15 | Recommend PCB Layout | | |
| APPROVED | Albert | 2014/12/15 | 119A-XXA00-R04 + 119A-LATCH-XX | | |
| SCALE | 1/1 | SHEET | 1/1 | SIZE | A4 |
|  | | FILE NAME | 119A-XXA00-R04 + 119A-LATCH-XX_1 | | |