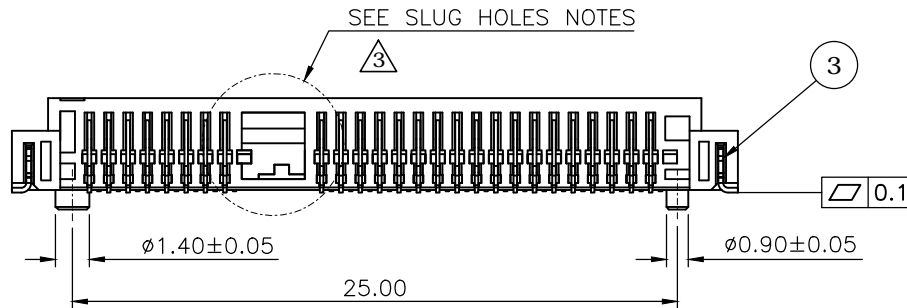
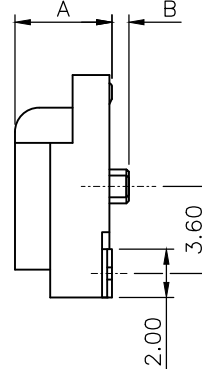


*SEE TABLE



NO.	DESCRIPTION	DRAWN	DATE
1	INITIAL RELEASE	FROS	2014/12/12
2	ADD PACKING & DIMENSIONS TABLE	FROS	2014/12/19
3	ADD PAGE 4, SLUG HOLE NOTES	FROS	2015/08/11

SPECIFICATION:

1. ELECTRICAL

- 1.1 Current Rating: 0.5A per pin
- 1.2 Voltage Rating: 50V DC
- 1.3 Contact Resistance: 55mΩ Max
- 1.4 Insulation Resistance: 500MΩ Min
- 1.5 Dielectric Withstanding Voltage: 300VAC

2. MECHANICAL

- 2.1 Durability: 100 Cycle
- 2.2 Insertion Force: 2.3Kgf max.
- 2.3 Extraction Force: 2.3Kgf max.

3. ENVIRONMENTAL

- 3.1 Operating temperature range: -40°C~+85°C
- 3.2 Storage temperature range: -40°C~+85°C

4. SOLDER ABILITY

- 4.1 Recommended IR Reflow Temperature: 260°C 10Sec


DIMENSIONS TABLE		
A	B	P/N
4.0	0.7	119A-40A00-R04
5.6	0.5	119A-56A00-R04

NOTE: 1

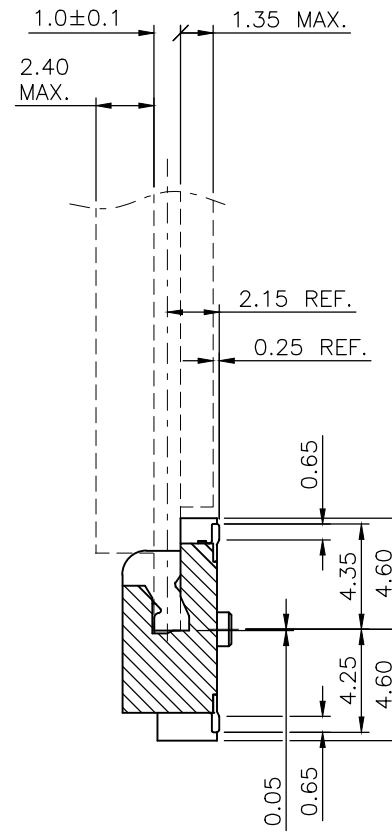
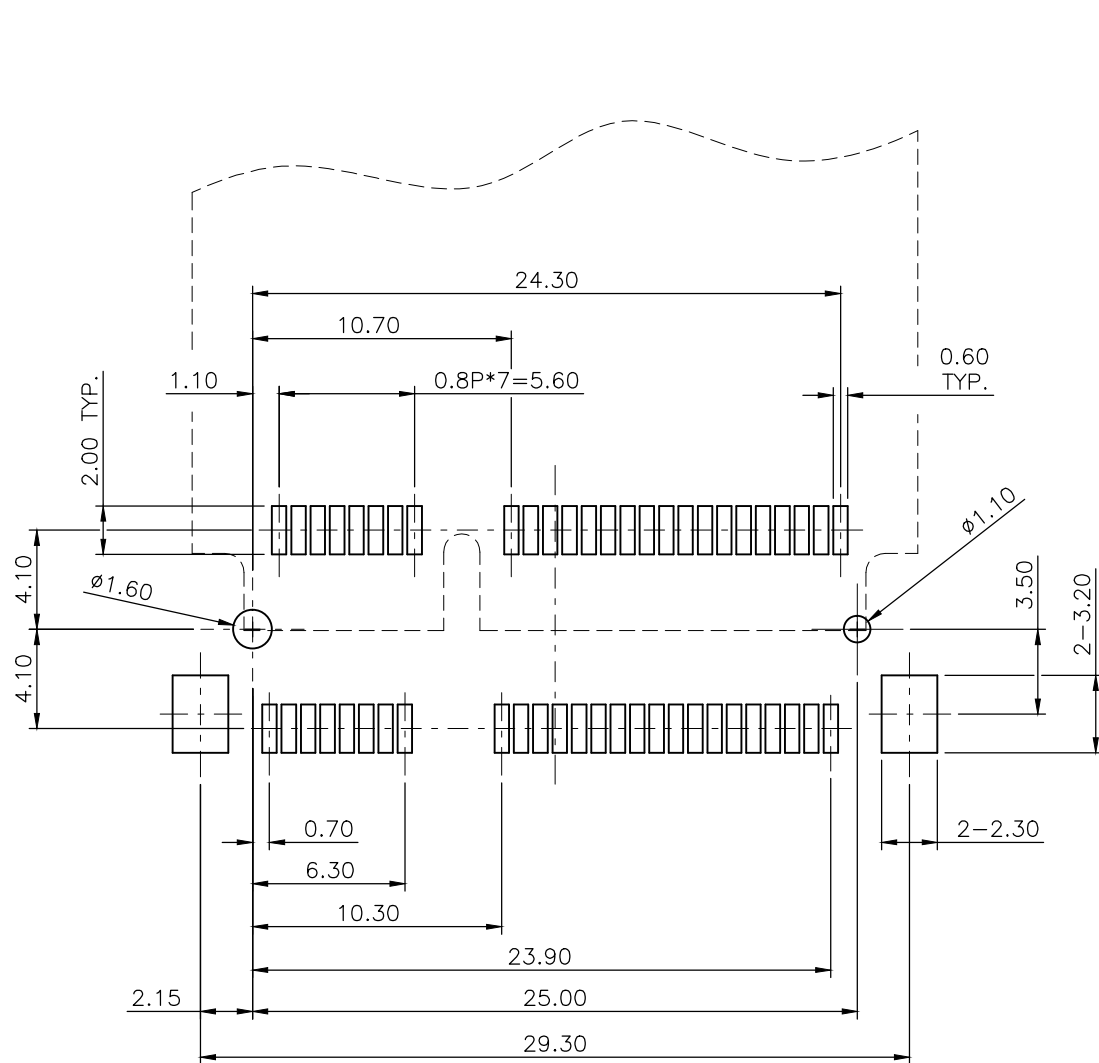
DATE CODE: 3 3 4 1

YEAR 2013 — DAY 1 AT WEEK
WEEK 34

3	HOLDDOWN	Brass C2680, Tin Plated
2	CONTACT	Phosphor Bronze C5210, Contact Area: Gold Flash Over Nickel
1	HOUSING	LCP UL94V-0, Black

NO. PART NAME		DESCRIPTION		
UNLESS OTHERWISE SPECIFIED TOLERANCE				
UNIT:	DECIMAL	LINEAR	ANGLES	
	X.	±0.50	±5°	
	X.X	±0.25	±3°	
	X.XX	±0.12	±1°	
 WWW.ATTEND.COM.TW				
DRAWN	Fros	2014/12/12	DRAWN NAME: Mini PCI Express Socket H:X.Xmm	
CHECKED	Ron	2014/12/12		
APPROVED	Albert	2014/12/12		
SCALE 3.2		SHEET 1/4	SIZE A4	PRODUCT NO. SEE P/N TABLE
FILE NAME		119A-XXA00-R04_B_3		


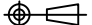
NO.	DESCRIPTION	DRAWN	DATE
	SEE SHEE 1		



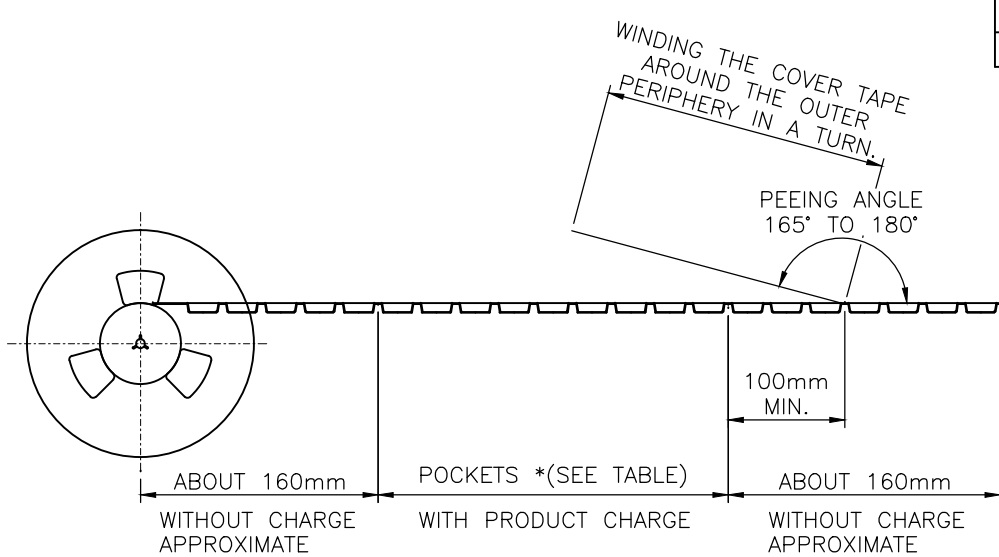
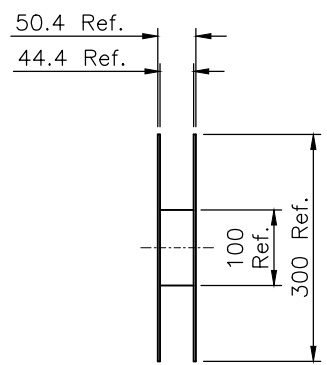
RECOMMEND PCB LAYOUT, TOP VIEW

----- IS CARD
 _____ IS PAD LAYOUT

GENERAL TOLERANCE: ±0.05

UNLESS OTHERWISE SPECIFIED TOLERANCE				 WWW.ATTEND.COM.TW		
UNIT:	DECIMAL	LINEAR	ANGLES			
mm	X.	±0.50	±5°			
	X.X	±0.25	±3°			
	X.XX	±0.12	±1°			
DRAWN	Fros	2014/12/12	DRAWN NAME:			
CHECKED	Ron	2014/12/12	Mini PCI Express Socket H:X.Xmm			
APPROVED	Albert	2014/12/12	PRODUCT NO.	SEE P/N TABLE		
	SCALE 3.2	SHEET 2/4	SIZE A4	FILE NAME	119A-XXA00-R04_B_3	

NO.	DESCRIPTION	DRAWN	DATE
	SEE SHEE 1		

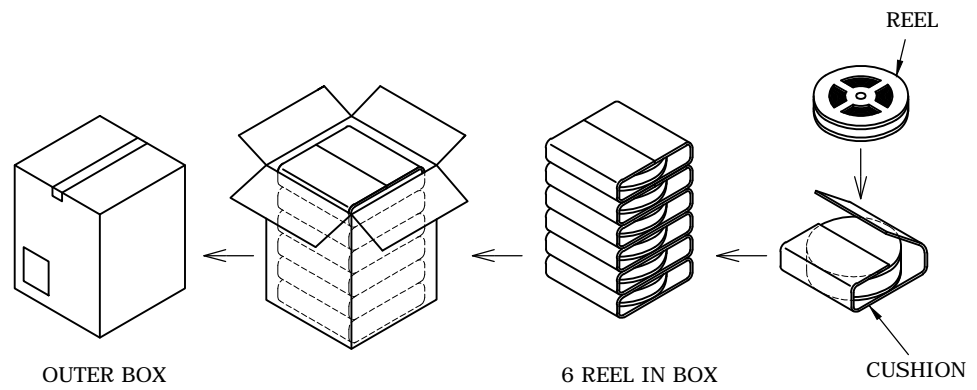
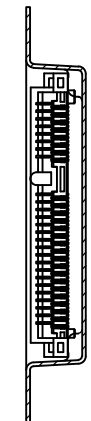
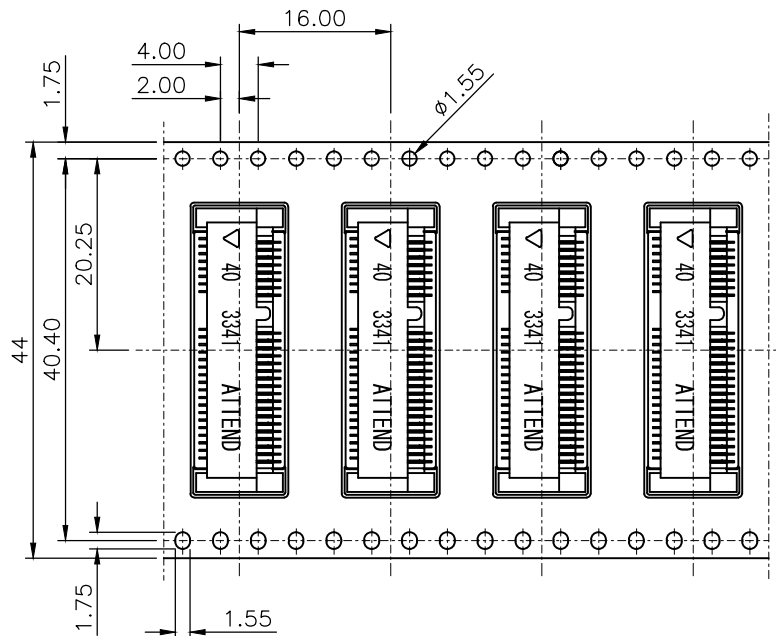


NOTE:

1. PEELING RESISTANCE: 0.1N-0.13N (10gf-130gf)
PEELING ANGLE: 165°~180°
PEELING SPEED: 300mm/min.
2. PACKING STYLE
6 REEL/CARTON

PACKING TABLE		
P/N	Q'TY/ REEL	Q'TY/ CARTON
119A-40A00-R04	700 PCS	4,200 PCS
119A-56A00-R04	550 PCS	3,300 PCS

REEL DIMENSIONS
SCALE 1/10



BOX PACKING

DIMENSIONS TABLE	
C	P/N
6.30	119A-40A00-R04
7.90	119A-56A00-R04

UNLESS OTHERWISE SPECIFIED TOLERANCE			
UNIT:	DECIMAL	LINEAR	ANGLES
mm	X.	±0.50	±5°
	X.X	±0.25	±3°
	X.XX	±0.12	±1°



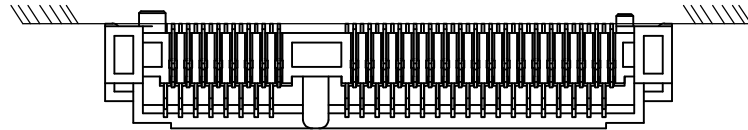
WWW.ATTEND.COM.TW

DRAWN	Fros	2014/12/12	DRAWN NAME: Mini PCI Express Socket H:X.Xmm
CHECKED	Ron	2014/12/12	
APPROVED	Albert	2014/12/12	PRODUCT NO. SEE P/N TABLE
SCALE	1.25	SHEET	3/4
SIZE	A4	FILE NAME	119A-XXA00-R04_B_3

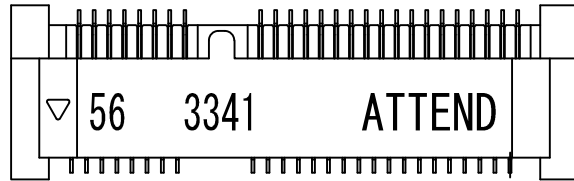
*SEE TABLE

NO.	DESCRIPTION	DRAWN	DATE
	see sheet one		

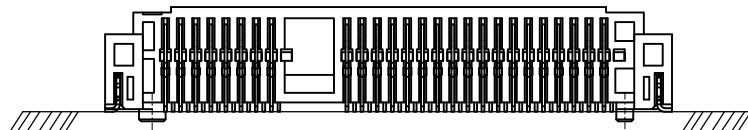
119A-56A00-R04



FRONT SIDE

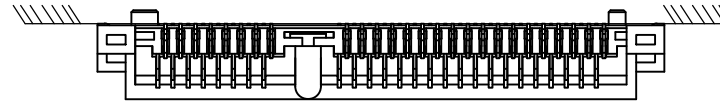


TOP VIEW

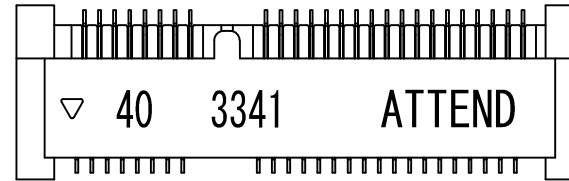


BACK SIDE

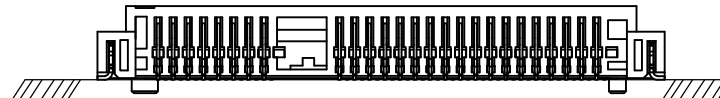
119A-40A00-R04



FRONT SIDE



TOP VIEW



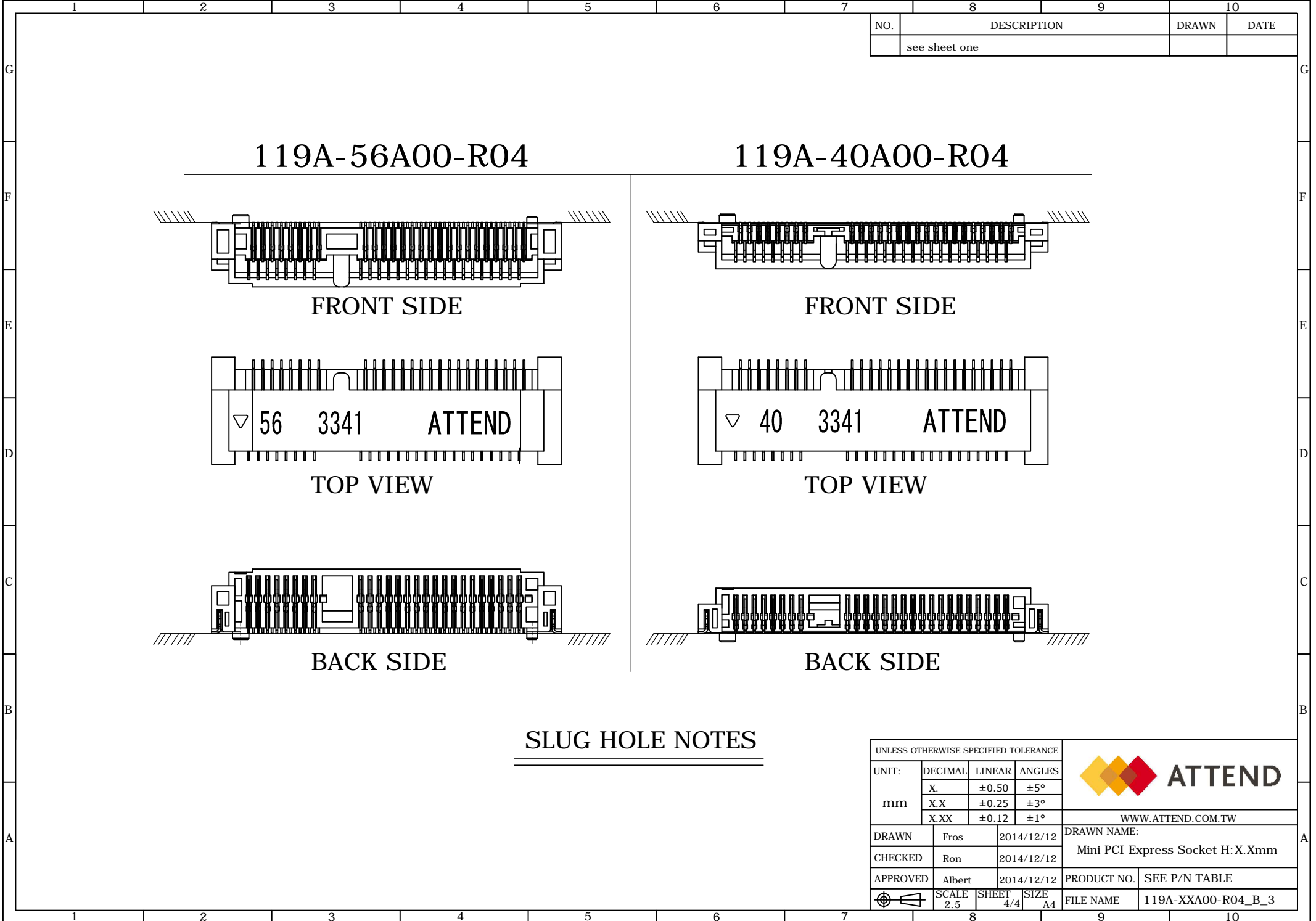
BACK SIDE

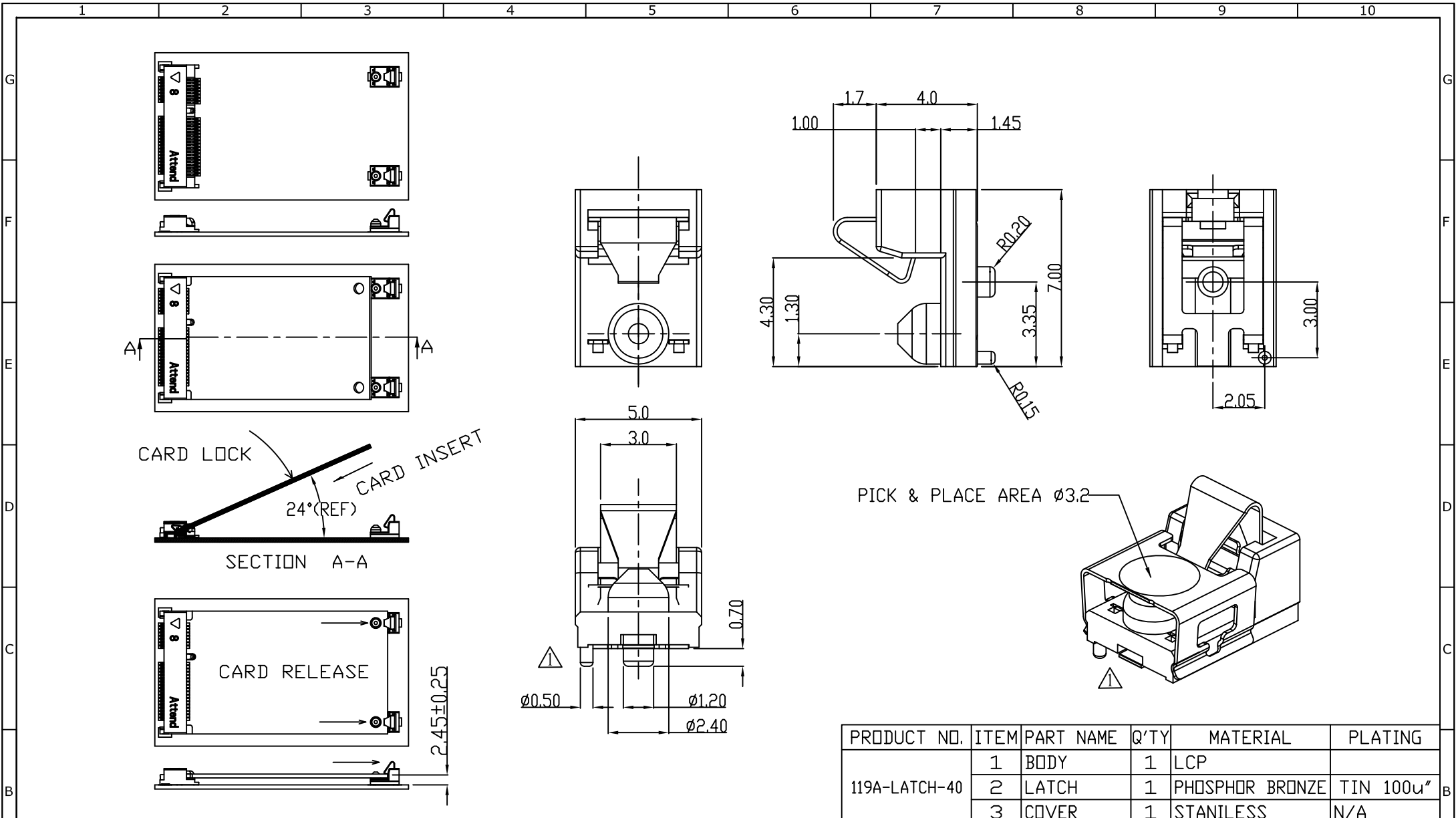
SLUG HOLE NOTES

UNLESS OTHERWISE SPECIFIED TOLERANCE			
UNIT:	DECIMAL	LINEAR	ANGLES
mm	X.	±0.50	±5°
	X.X	±0.25	±3°
	X.XX	±0.12	±1°
DRAWN	Fros	2014/12/12	DRAWN NAME: Mini PCI Express Socket H:X.Xmm
CHECKED	Ron	2014/12/12	
APPROVED	Albert	2014/12/12	PRODUCT NO. SEE P/N TABLE
	SCALE 2.5	SHEET 4/4	SIZE A4
FILE NAME		119A-XXA00-R04_B_3	



WWW.ATTEND.COM.TW





PRODUCT NO.	ITEM	PART NAME	Q'TY	MATERIAL	PLATING
119A-LATCH-40	1	BODY	1	LCP	
	2	LATCH	1	PHOSPHOR BRONZE	TIN 100u"
	3	COVER	1	STAINLESS	N/A

UNLESS OTHERWISE SPECIFIED TOLERANCE		
ANGLES	ANG.	±5°
LINEAR	0.	±0.3
	0.0	±0.25
	0.00	±0.20
SCALE	AS SHOWN	UNIT: mm
DRAWN	Willis	2012/08/03
CHECKED	Angel	2012/08/03
APPROVED	Ken	2012/08/03

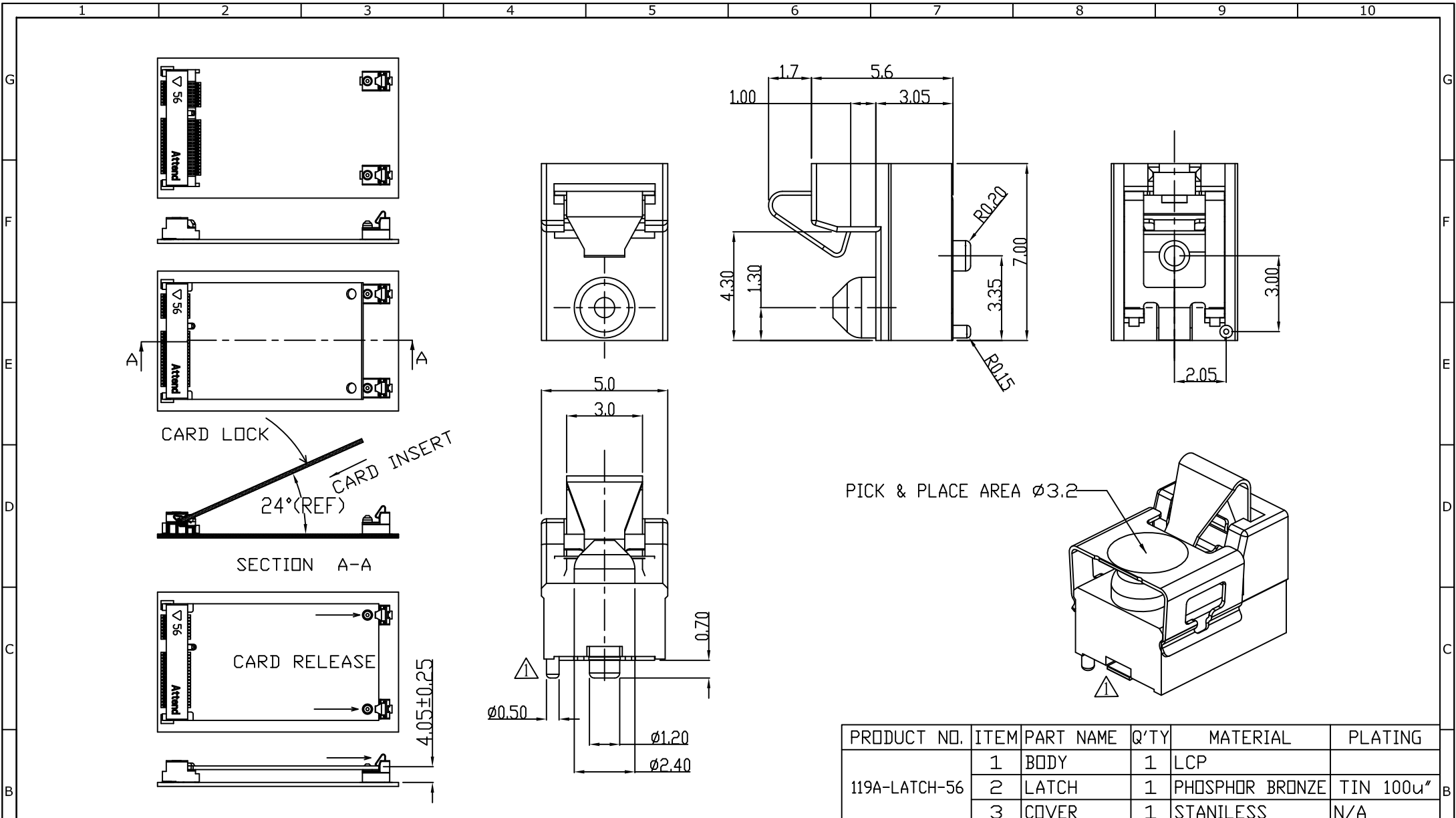


www.attend.com.tw

DRAWN NAME: Mini PCI Express Latch H:4.0

PRODUCT NO. 119A-LATCH-40

REV.	DESCRIPTION	DATE	REV.	DESCRIPTION	DATE
△	Revise:				
△	Revise:				
△	Revise: (1) Peg (2)Housing(3)Solder Pad	2010/01/15			



PRODUCT NO.	ITEM	PART NAME	Q'TY	MATERIAL	PLATING
119A-LATCH-56	1	BODY	1	LCP	
	2	LATCH	1	PHOSPHOR BRONZE	TIN 100u"
	3	COVER	1	STAINLESS	N/A

UNLESS OTHERWISE SPECIFIED TOLERANCE		
ANGLES	ANG.	±5°
LINEAR	0.	±0.3
	0.0	±0.25
	0.00	±0.20
SCALE	AS SHOWN	UNIT: mm
DRAWN	Willis	2012/08/03
CHECKED	Angel	2012/08/03
APPROVED	Ken	2012/08/03

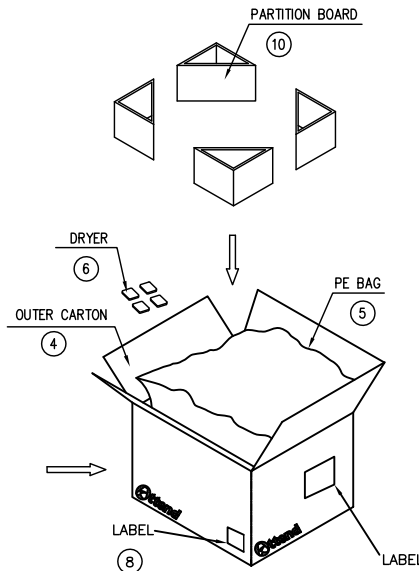
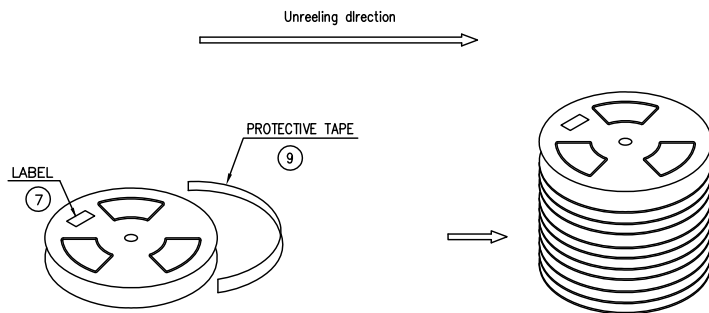
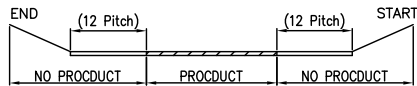
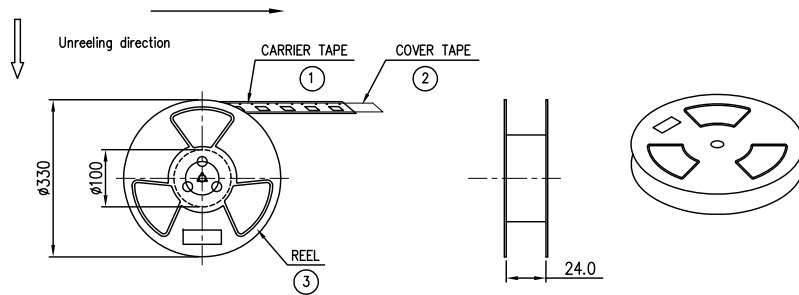
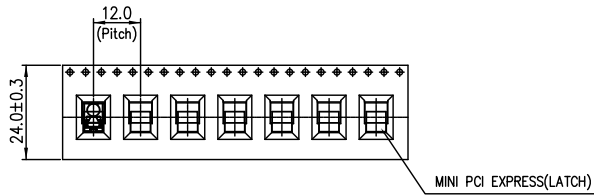


www.attend.com.tw

DRAWN NAME: Mini PCI Express Latch H:5.6

PRODUCT NO. 119A-LATCH-56

REV.	DESCRIPTION	DATE	REV.	DESCRIPTION	DATE
1	Revise:				
2	Revise:				
3	Revise: (1) Peg (2)Housing(3)Solder Pad	2010/01/15			



NOTES:

- PACKING STYLE
 - 119A-LATCH-40 (4.0H) 700 PCS/REEL 7000 PCS/OUTER CARTON
 - 119A-LATCH-56 (5.6H) 550 PCS/REEL 5500 PCS/OUTER CARTON
 - 119A-LATCH-80 (8.0H) 400 PCS/REEL 4000 PCS/OUTER CARTON
 - 119A-LATCH-92 (9.2H) 300 PCS/REEL 3000 PCS/OUTER CARTON
- MATERIAL CARRIER TAPE: PS BLACK
COVER TAPE: PET FILM
REEL: PLASTIC
- PEEL STRENGTH OF COVER TAPE: 20-80g (PEEL SPEED 300mm/MINUTE).

10	PARTITION BOARD	4	PCS		
9	PROTECTIVE TAPE	3	PCS		
8	LABEL	1	PCS		
7	LABEL	6	PCS		
6	DRYER	4	BAG		
5	PE BAG	1	PCS	L850*W750mm	
4	OUTER CARTON	1	PCS		
3	REEL	10	SET	ø330*100mm,W=44mm	
2	COVER TAPE	SEE NOTES	10	PCS	W=21.5mm
1	CARRIER TAPE				W=24mm,T=0.5mm
NO	PACKING NAME	PCS/R/R/BOX	UNIT	NOTE	

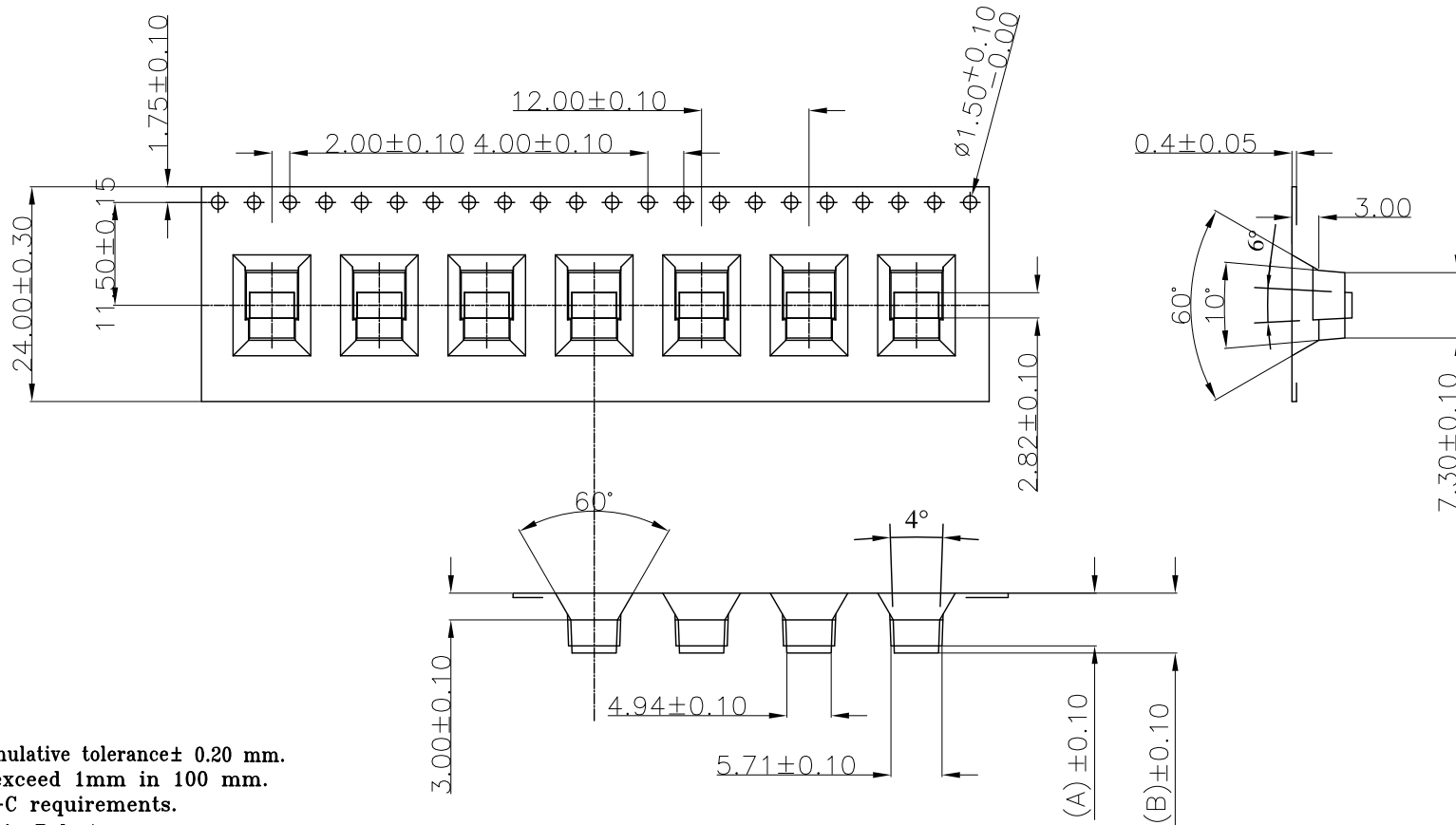
UNLESS OTHERWISE SPECIFIED TOLERANCE		
ANGLES	ANG.	±5°
LINEAR	0.	±0.3
	0.0	±0.25
	0.00	±0.20
SCALE	AS SHOWN	UNIT: mm
DRAWN	Willis	2012/08/03
CHECKED	Angel	2012/08/03
APPROVED	Ken	2012/08/03



- ③ Revise:
- ② Revise:
- ① Revise:

DRAWN NAME:		Mini PCI Express Latch
PRODUCT NO.	119A-LATCH-XX	
FILE NAME	119A-LATCH-XX_D_2	

REV.	DESCRIPTION	DATE	REV.	DESCRIPTION	DATE	SIZE	REV.
1			4			A4	1.0



NOTES:

1. Sprocket hole pitch cumulative tolerance ± 0.20 mm.
2. Carrier camber not to exceed 1mm in 100 mm.
3. All scope meet EIA-481-C requirements.
4. Material: Black Anti-static Polystyrene.
5. Thickness: 0.40 ± 0.05 mm.

DIM.	119A-LATCH-40	119A-LATCH-52	119A-LATCH-56	119A-LATCH-80	119A-LATCH-92
A	5.90	7.10	7.50	9.90	11.10
B	6.70	7.90	8.30	10.70	11.90

UNLESS OTHERWISE SPECIFIED TOLERANCE		
ANGLES	ANG.	$\pm 5^\circ$
LINEAR	0.	± 0.3
	0.0	± 0.25
	0.00	± 0.20
SCALE	AS SHOWN	UNIT: mm
DRAWN	Willis	2012/08/03
CHECKED	Angel	2012/08/03
APPROVED	Ken	2012/08/03



www.attend.com.tw

DRAWN NAME:
Mini PCI Express Latch

PRODUCT NO. 119A-LATCH-XX

REV.	DESCRIPTION	DATE	REV.	DESCRIPTION	DATE
1			4		
2			5		
3			6		
			7		



SIZE

A4

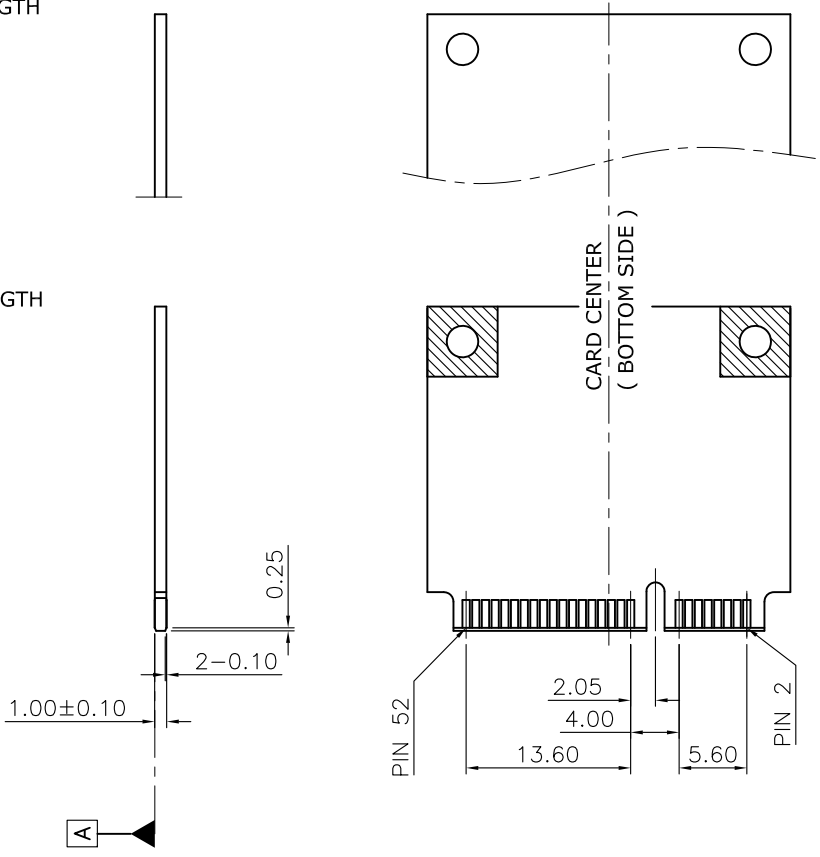
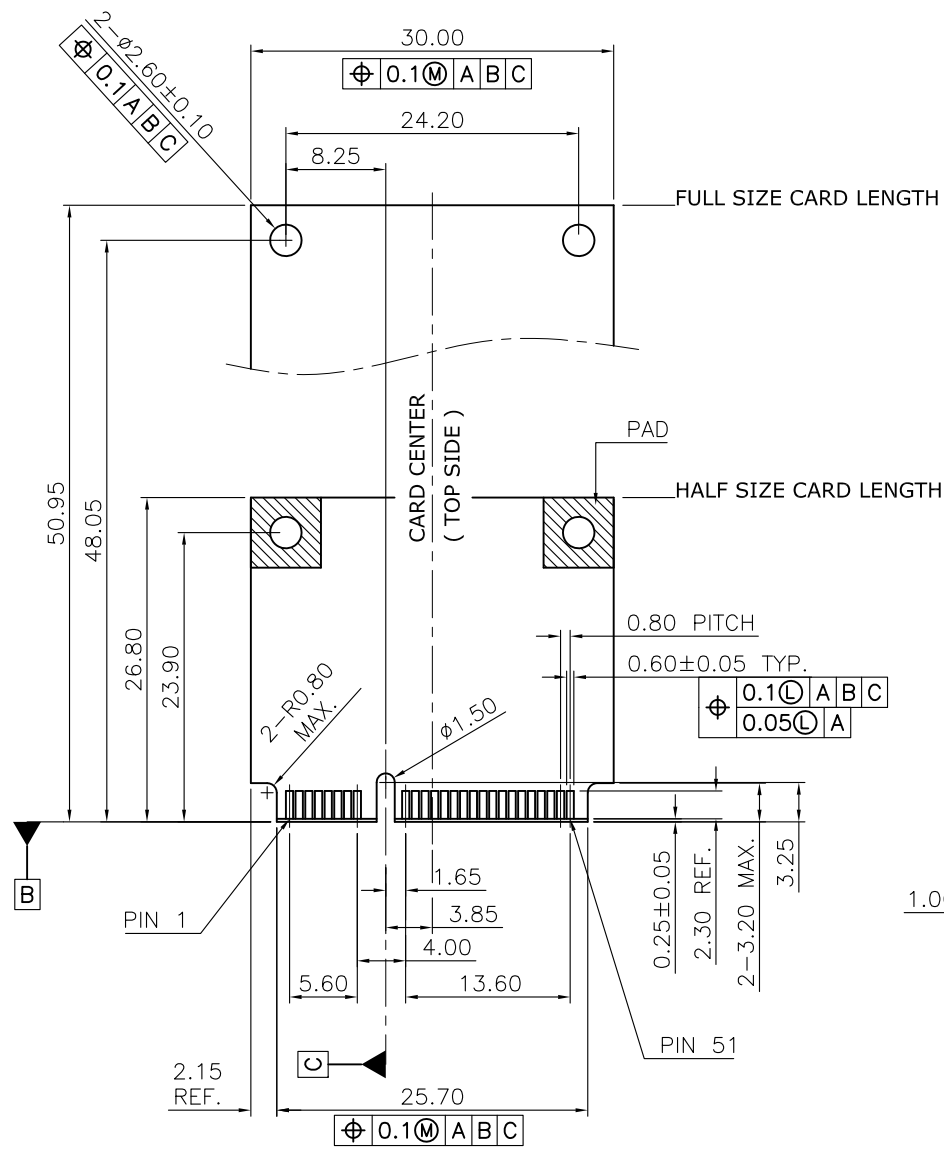
REV.


1.0

FILE NAME

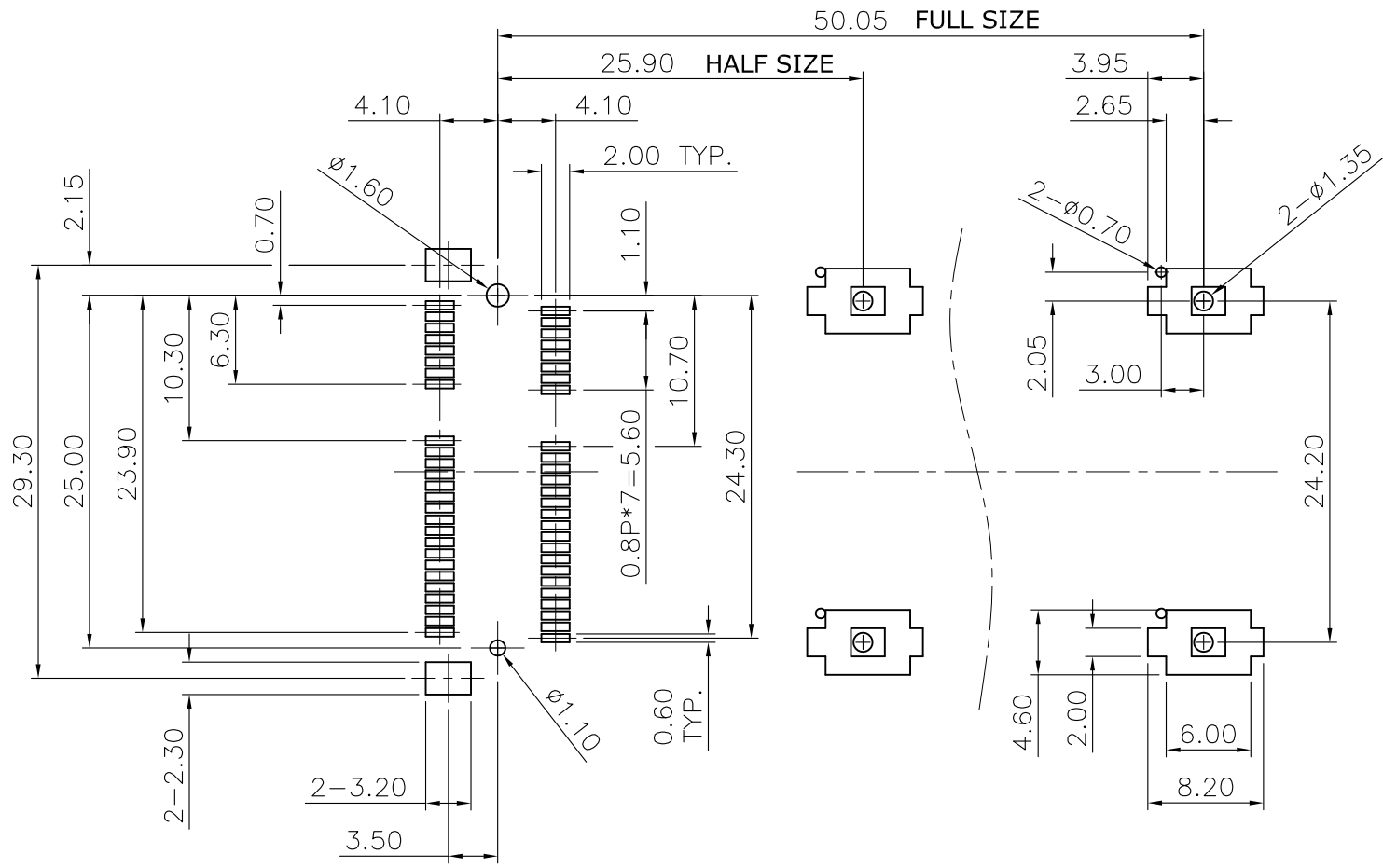
119A-LATCH-XX_D_2

REV.	DESCRIPTION	DRAWN	DATE
1	Initial Release	FROS	2014/12/03




UNLESS OTHERWISE SPECIFIED TOLERANCE					
UNIT:	DECIMAL	LINEAR	ANGLES		
mm	X.	± 0.50	$\pm 5^\circ$	WWW.ATTEND.COM.TW	
	X.X	± 0.25	$\pm 3^\circ$		
	X.XX	± 0.12	$\pm 1^\circ$		
DRAWN	Fros	2014/12/03	DRAWN NAME:		
CHECKED	Ron	2014/12/03	PHYSICAL DIMENSIONS OF		
APPROVED	Albert	2014/12/03	PCI EXPRESS MINI CARD		
SCALE	1.6/1	SHEET	1/1	SIZE	A4
FILE NAME	119A-CARD_1				

REV.	DESCRIPTION	DRAWN	DATE
1	Initial Release	FROS	2014/12/15



GENERAL TOLERANCE: $\pm 0.05\text{mm}$

UNLESS OTHERWISE SPECIFIED TOLERANCE					
UNIT:	DECIMAL	LINEAR	ANGLES		
mm	X.	± 0.50	$\pm 5^\circ$	WWW.ATTEND.COM.TW	
	X.X	± 0.25	$\pm 3^\circ$		
	X.XX	± 0.12	$\pm 1^\circ$		
DRAWN	Fros	2014/12/15	DRAWN NAME:		
CHECKED	Ron	2014/12/15	Recommend PCB Layout		
APPROVED	Albert	2014/12/15	119A-XXA00-R04 + 119A-LATCH-XX		
SCALE	1/1	SHEET	1/1	SIZE	A4
FILE NAME		119A-XXA00-R04 + 119A-LATCH-XX_1			